

Customer Information Sheet

DRAWING No.: S1741-46R

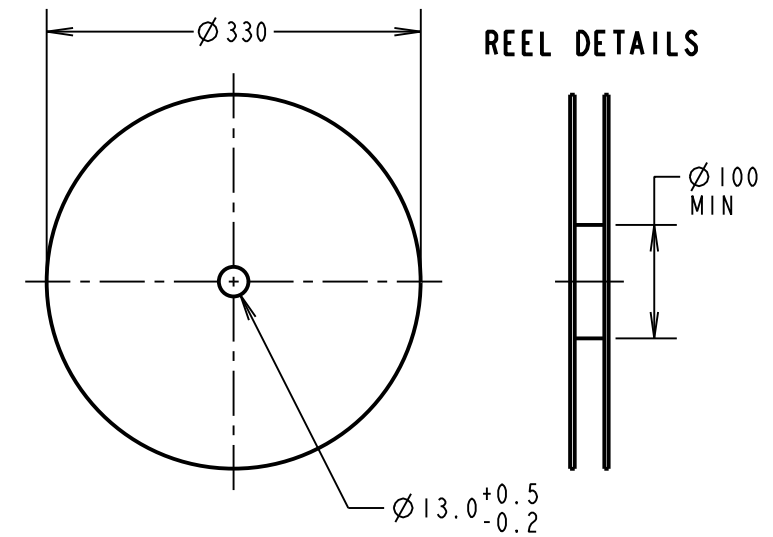
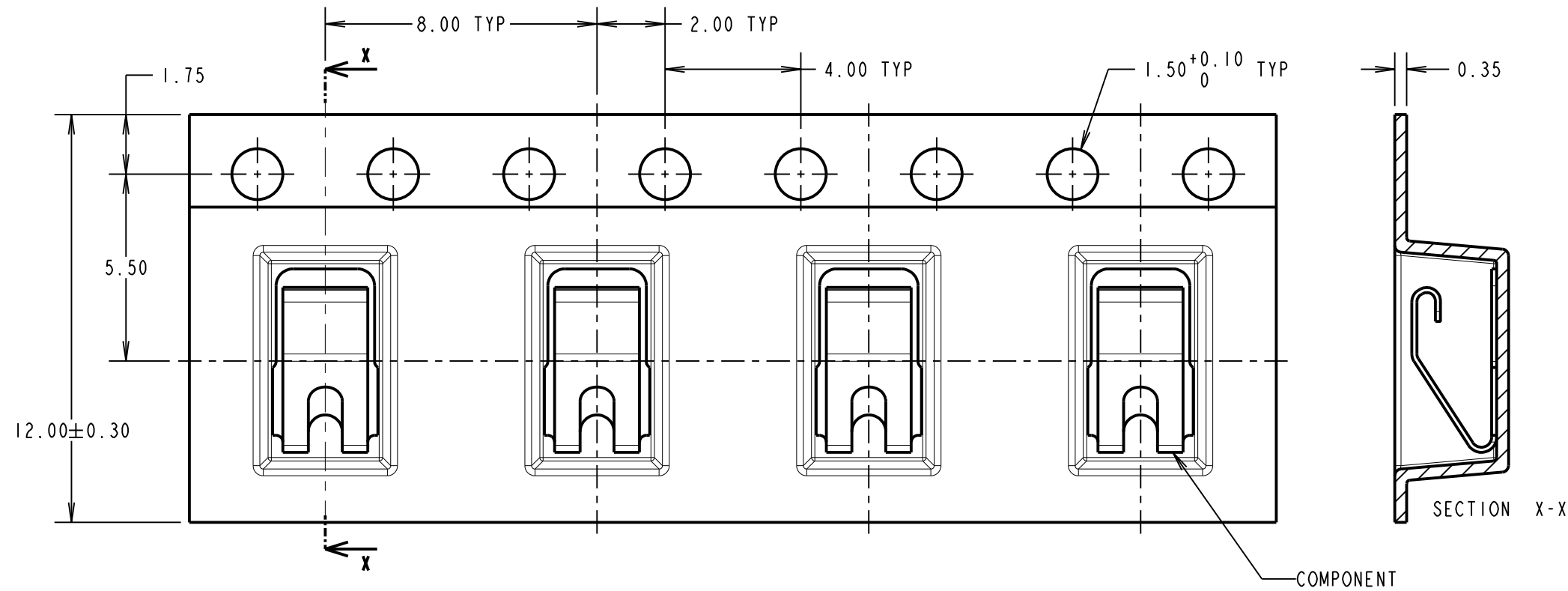
IF IN DOUBT - ASK

©

NOT TO SCALE

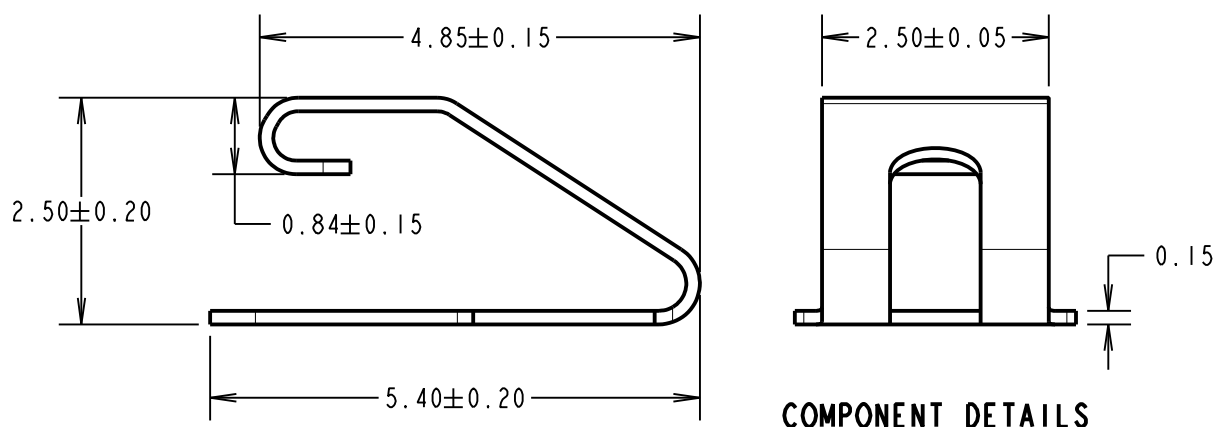
THIRD ANGLE PROJECTION

ALL DIMENSIONS IN mm

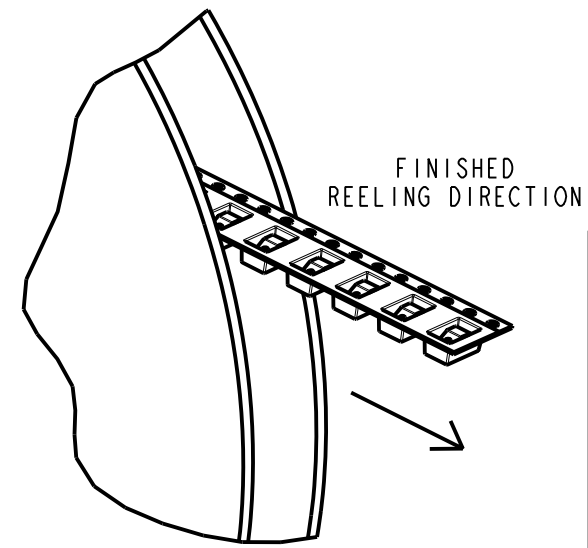
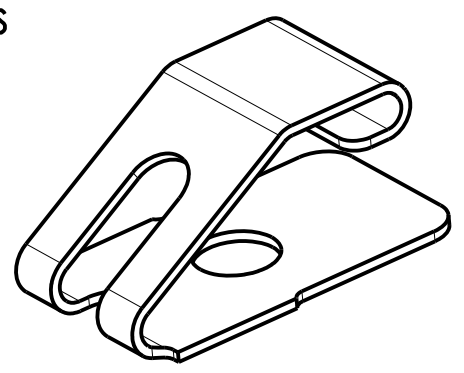
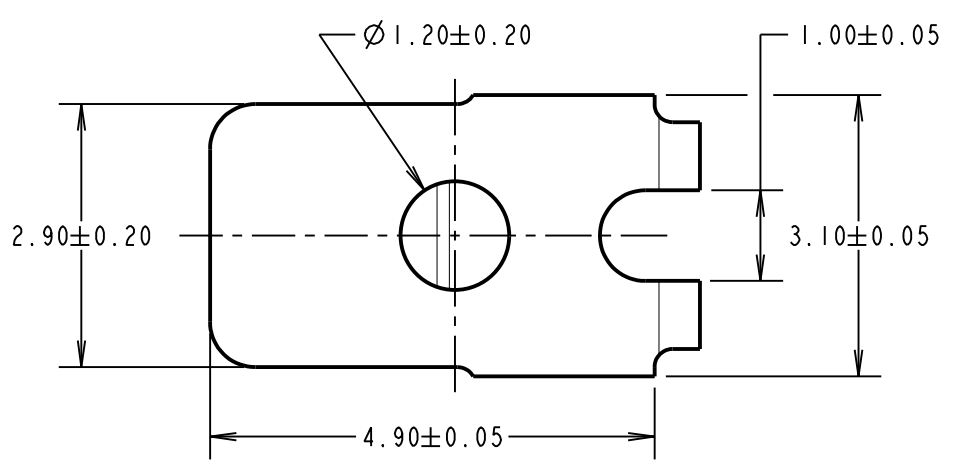
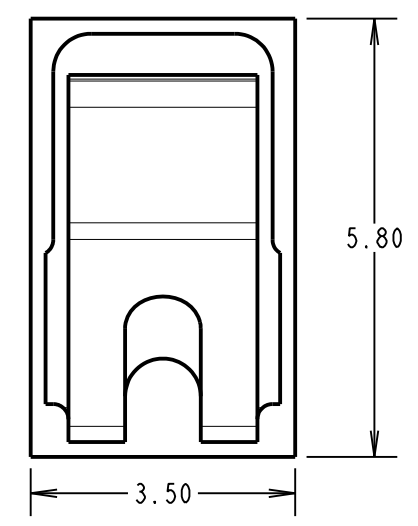


NOTES:
 1. QUANTITY PER REEL = 2500.
 2. THIS PRODUCT IS TAPED AND REELED IN ACCORDANCE WITH EIA-481 (ELECTRONIC INDUSTRIES ASSOCIATION).

COMPONENT SPECIFICATION:
 MATERIAL = PHOSPHOR BRONZE
 FINISH = 4µm BRIGHT 100% TIN OVER 2µm NICKEL
 RECOMMENDED WORKING HEIGHT = 1.75mm / MIN FORCE = 1.5N
 MINIMUM WORKING HEIGHT = 1.50mm / MAX FORCE = 3.0N
 ELECTRICAL:
 CURRENT RATING = 6A
 MECHANICAL:
 DURABILITY = 5000 CYCLES
 ENVIRONMENTAL:
 OPERATING TEMPERATURE = -55°C TO +125°C



RECOMMENDED PAD LAYOUT



MGP	4	11.01.22	31219
NAME	ISS.	DATE	CN/CO
APPROVED: MGP			
CHECKED: RTP			
DRAWN: N.CODLING			
CUSTOMER REF.:			
ASSEMBLY DRG:			

<p>www.harwin.com technical@harwin.com</p>	<p>THIS DRAWING AND ANY INFORMATION OR DESCRIPTIVE MATTER SET OUT HEREON ARE CONFIDENTIAL AND COPYRIGHT PROPERTY OF THE HARWIN GROUP AND MUST NOT BE DISCLOSED, LOANED, COPIED OR USED FOR MANUFACTURING, TENDERING OR FOR ANY OTHER PURPOSE WITHOUT THEIR WRITTEN PERMISSION.</p>	<p>TOLERANCES</p> <p>X. = ±1mm X.X = ±0.50mm X.XX = ±0.20mm X.XXX = ±0.01mm</p> <p>ANGLES = ±5° UNLESS STATED</p>	<p>MATERIAL:</p> <p>SEE ABOVE</p>	<p>TITLE:</p> <p>S1741-46 SMT CONTACT IN TAPE AND REEL</p>
			<p>FINISH:</p> <p>SEE ABOVE</p>	<p>DRAWING NUMBER:</p> <p>S1741-46R</p>