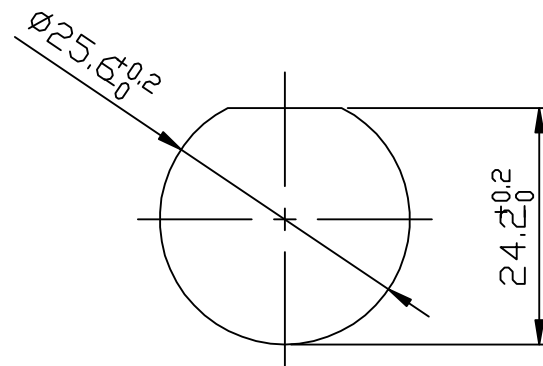
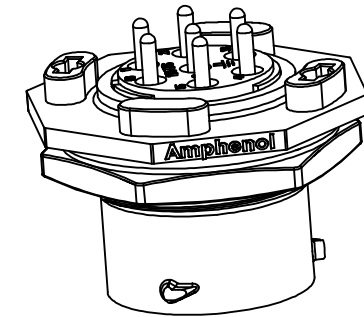
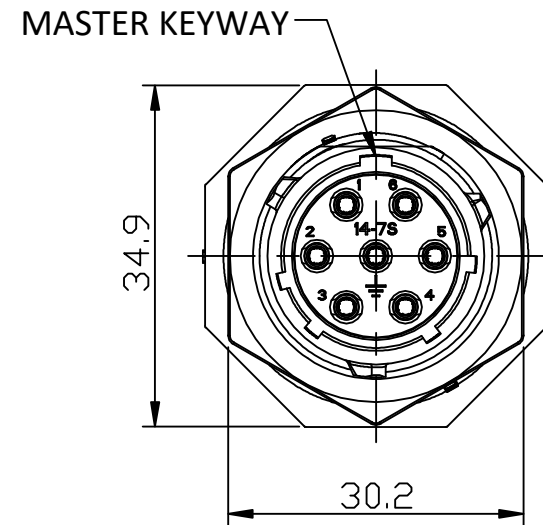
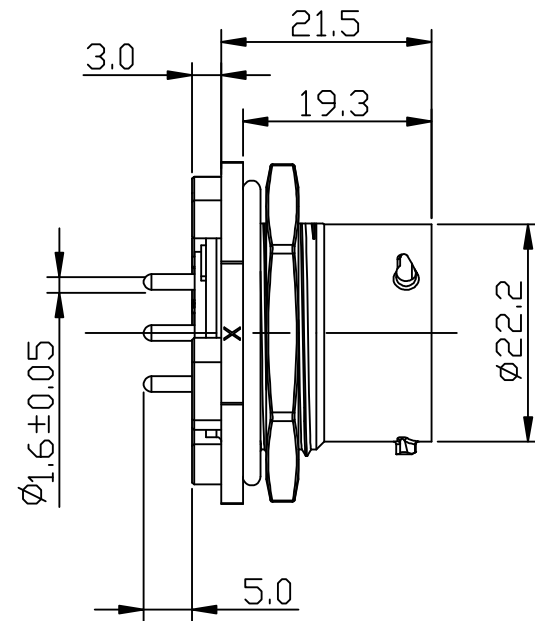
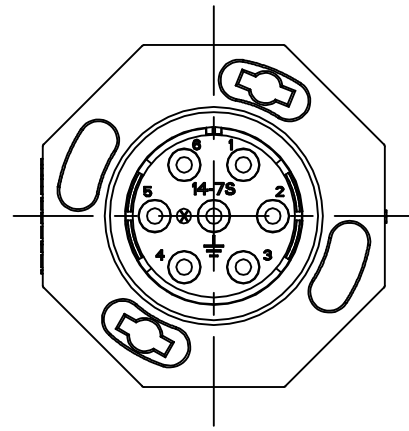
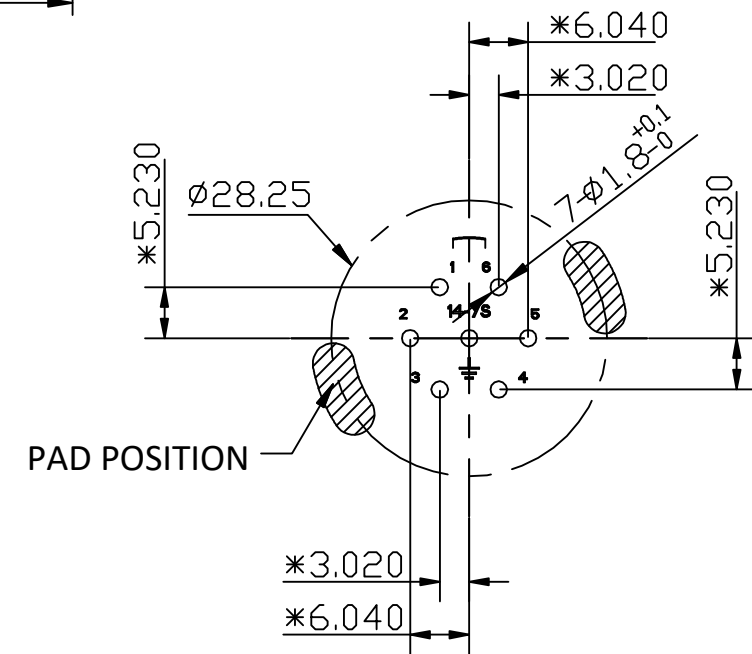


REVISIONS					
REV	ECD	DESCRIPTION	DATE	BY	APPR
A1	-	FIRST RELEASED	Jul-30-2019	Ronald	Tommy



RECOMMEND MOUNTING HOLE



RECOMMEND PCB LAYOUT

NOTES: (UNLESS OTHERWISE SPECIFIED)

- MATERIAL:
SHELL: THERMOPLASTIC, UL94 V-0.
INSERT: THERMOPLASTIC, UL94 V-0.
O-RING: SILICONE RUBBER.
SEAL GASKET: SILICONE RUBBER.
JAM NUT: ALUMINIUM ALLOY, BLACK ANODIZING.
CONTACT: COPPER ALLOY, GOLD PLATED.
- SPECIFICATIONS:
2.1 RATED CURRENT: 13A (MAX).
2.2, RATED VOLTAGE: 500V (AC/DC).
2.3, OPERATING TEMPERATURE: -40C - 125C.
2.4 DIELECTRIC WITHSTANDING VOLTAGE: LESS THAN 2 MILLIAMPS CURRENT LEAKAGE@2000 VOLTS AC.
2.5 INSULATION RESISTANCE: 5000 MEGOHMS MIN.
2.6 IP--CLASS: IP67 AND IP69K IN THE MATED CONDITION.
2.7 MATING CYCLES DURABILITY: 500 CYCLES MIN.
2.8 RoHS COMPLIANT.
- SUITABLE CONTACTS: 16# CONTACT
- ALL DIMENSIONS ARE FOR REFERENCE USE ONLY.

KEY	PART NUMBER
N	RTS714ND7S03
W	RTS714WD7S03
X	RTS714XD7S03
Y	RTS714YD7S03
Z	RTS714ZD7S03

QUANTITY	PART NUMBER	DESCRIPTION	ITEM
MATERIALS LIST			
<p>UNLESS OTHERWISE SPECIFIED</p> <p>1) All dimensions are in metric(mm). 2) Tolerances are as follows: 1 PL DEC ±0.30 2 PL DEC ±0.15 3 PL DEC ±0.08</p> <p>3) Note reference = </p>		<p>SIGNATURES DATE</p> <p>DRAWN: Ronald Jul-30-2019</p> <p>CHECKED: Marin Jul-30-2019</p> <p>ENGINEER: Tommy Jul-30-2019</p> <p>APPROVAL: Tommy Jul-30-2019</p> <p>MATERIAL SPECIFICATIONS:</p> <p>CUSTOMER:</p> <p>THIS DRAWING IS SUPPLIED FOR INFORMATION ONLY. DESIGN FEATURES, SPECIFICATIONS AND PERFORMANCE DATA SHOWN HEREON ARE THE PROPERTY OF THE AMPHENOL CORPORATION. NO RIGHTS OF REPRODUCTION ARE IMPLIED. ALL DIMENSIONS ARE SUBJECT TO NORMAL MANUFACTURING VARIATIONS.</p>	
		<p>Amphenol</p> <p>Sine Systems - www.amphenol-sine.com 44724 Morley Drive Clinton Township, MI 48036</p>	
		<p>ECOMATE® AQUARIUS™, RECEPTACLE, JAM NUT, 7POS, SOCKET CONTACT, DIPSOLDER, SIZE 14</p>	
		<p>SIZE: B TYPE: C- DVG NO: RTS714*D7S03 REVISION: A1</p>	
NEXT ASS'Y:		SCALE: NONE	SHEET 1 OF 1

TITLE: ECOMATE RECEPTACLE JAM NUT 7POS SOCKET CONTACT DIP SOLDER SIZE 14
DVG NO: RTS714*D7S03
REV: A1
SH: 1
DF: 1