

Description : 50 Ohms Terminated SP5T 18GHz SMA LATCHING 28V D-SUB SWITCH  
 Options : SELF CUT-OFF / AUTO RESET / SUPP. DIODES

Issue 12.12.12  
 Page 1/2

## RF CHARACTERISTICS

Number of ways : 5  
 Frequency range : 0 - 18 GHz  
 Impedance : 50 Ohms

Frequency (GHz)	0 - 3	3 - 8	8 - 12.4	12.4 - 18
VSWR max	1.20	1.30	1.40	1.50
Insertion loss max	0.20 dB	0.30 dB	0.40 dB	0.50 dB
Isolation min	80 dB	70 dB	60 dB	60 dB
Average power (*)	240 W	150 W	120 W	100 W

TERMINATION IMPEDANCE : 50 Ohms  
 TERM. AVG. POWER AT 25° C : 1 W per termination  
 3 W total power

## ELECTRICAL CHARACTERISTICS

Actuator : LATCHING  
 Nominal current \*\* : 375 mA  
 Actuator voltage (Vcc) : 28V (24 to 30V) / NEGATIVE COMMON  
 Terminals : 25 pins D-SUB male connector  
 Self cut-off time : 40 ms < CT < 120 ms

## MECHANICAL CHARACTERISTICS

Connectors : SMA female per MIL-C 39012  
 Life : 2.000.000 cycles per position  
 Switching Time\*\*\* : < 40 ms  
 Construction : Splashproof  
 Weight : < 250 g

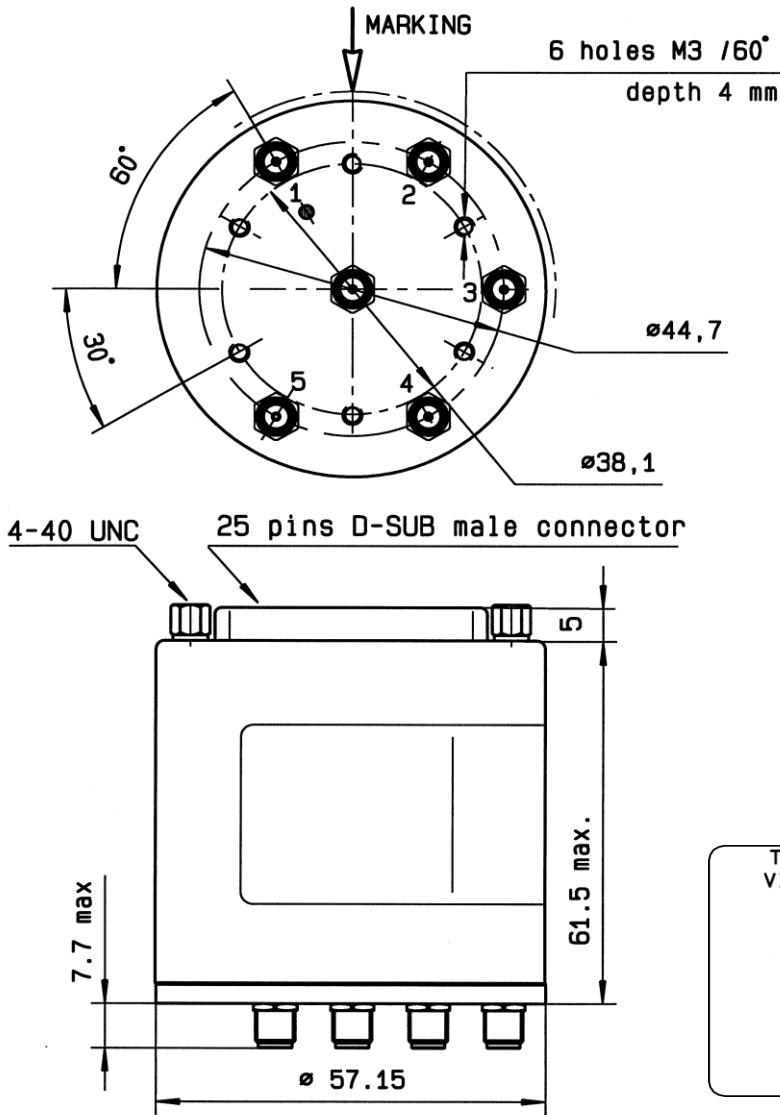
## ENVIRONMENTAL CHARACTERISTICS

Operating temperature range : -40°C to +85°C  
 Storage temperature range : -55°C to +85°C

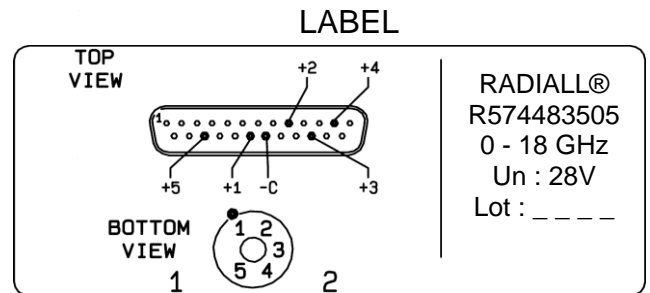


(\* Average power at 25°C per RF Path)  
 (\*\* At 25° C ±10%)  
 (\*\*\*) Nominal voltage ; 25° C)

**DRAWING**

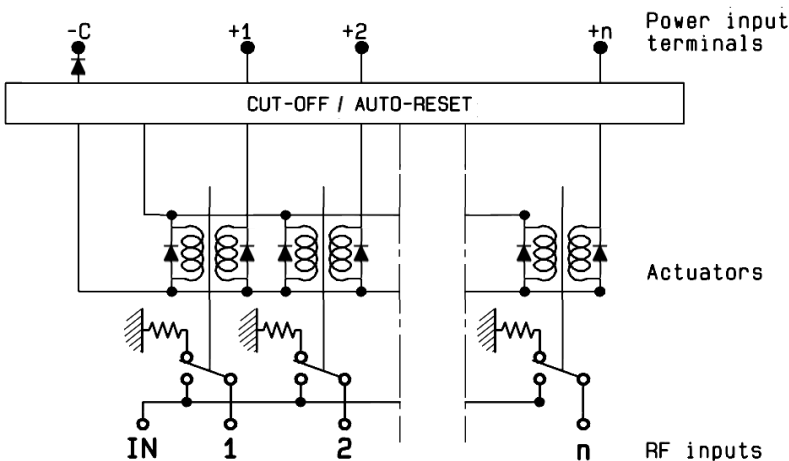


Voltage	RF Continuity
-C +1	IN ↔ 1
-C +2	IN ↔ 2
-C +3	IN ↔ 3
-C +4	IN ↔ 4
-C +5	IN ↔ 5



General tolerances : ±0.5 mm

**SCHEMATIC DIAGRAM**



This information is given as an indication. In order to improve our products, we reserve the right to make any modifications judged necessary