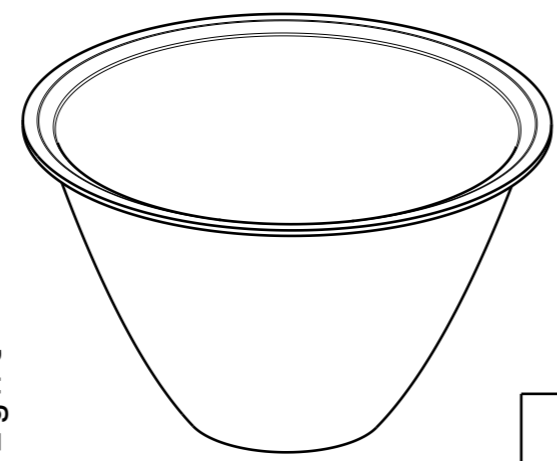
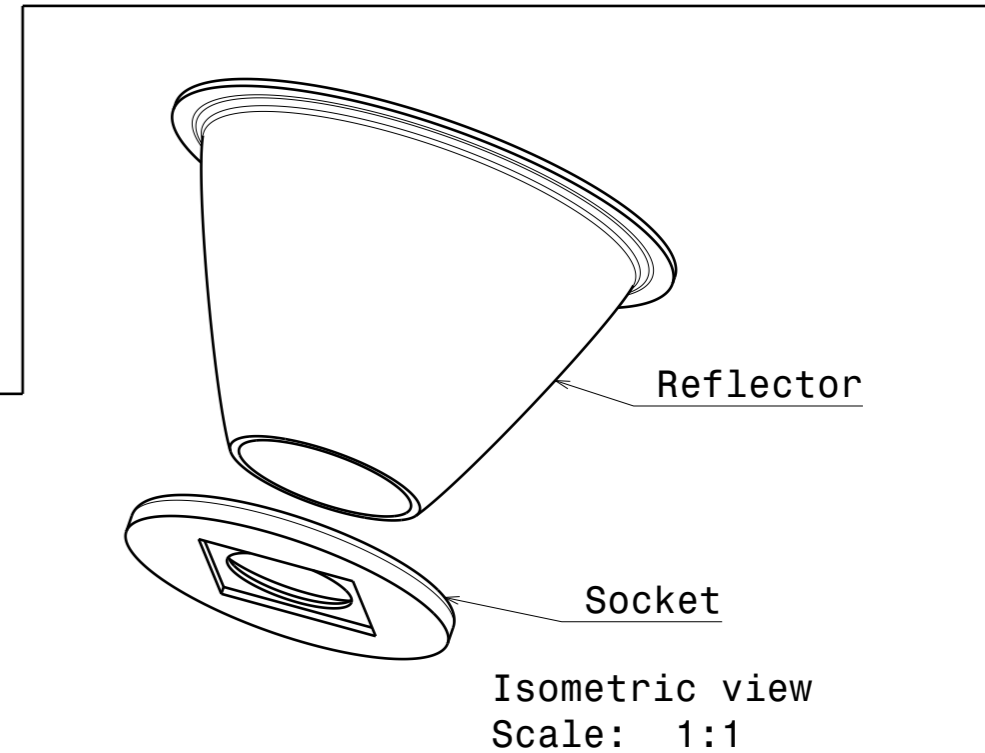
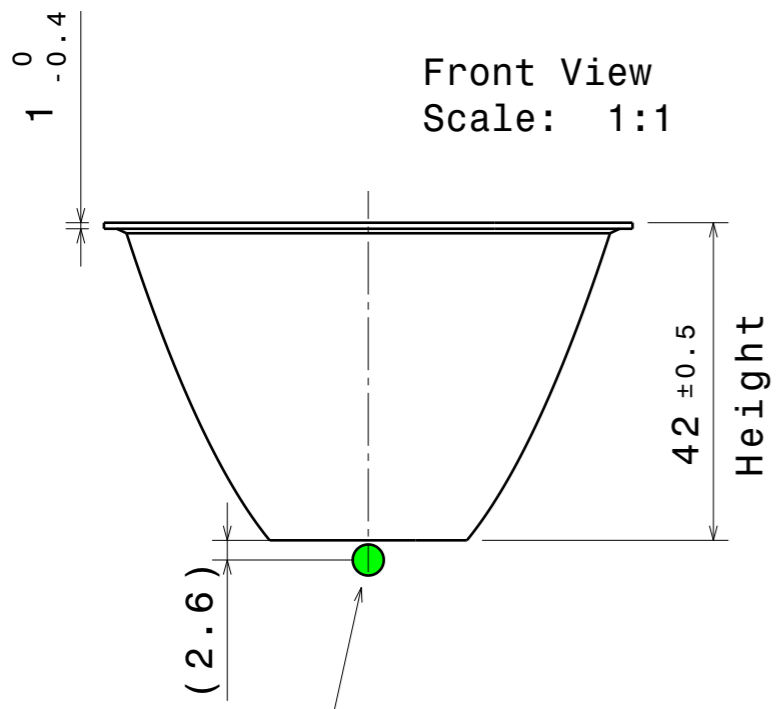


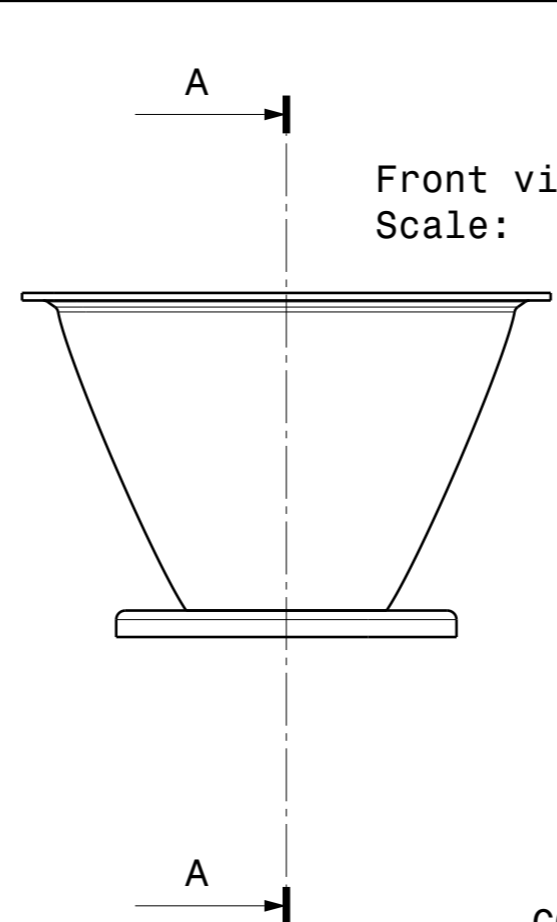
Isometric view  
Scale: 1:1



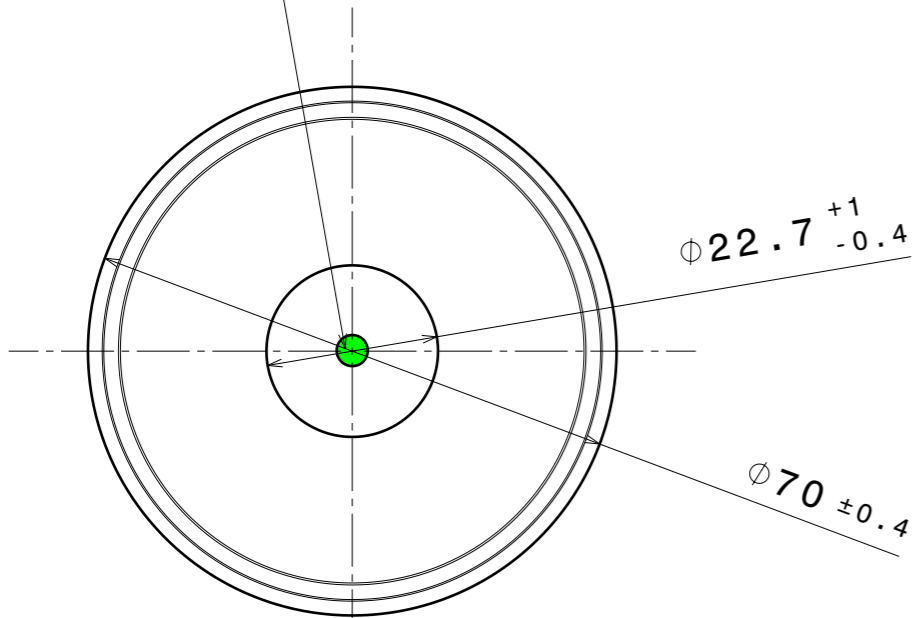
Front View  
Scale: 1:1



Front view  
Scale: 1:1



Optical center



Top view  
Scale: 1:1

**Notes**

	PCB or heatsink level.
	LED location
	Ensure LED fitting from a product specific 3D model available from <a href="http://www.ledil.com">www.ledil.com</a>
	For more details about installation please see LEDiL Installation Guide on <a href="http://www.ledil.com">www.ledil.com</a>

PART	TYPE	MATERIAL
C16903/C16904/C16905/C16906_ALISE-70	Reflector	Aluminium

<b>MECHANICAL DRAWING</b>		<b>LEDiL</b> ®
PRODUCT <b>ALISE</b>		
Plastic moulding general tolerances according to DIN 16901-130 and applies if not otherwise shown in the drawing. Silicone moulding general tolerances according to ISO 3302-1 Class M3 and applies if not otherwise shown in the drawing.	FIRST ANGLE PROJECTION: 	This drawing is the property of LEDiL Oy. It may not be copied or otherwise distributed without prior written permission from LEDiL Oy.
SCALE 1:1	WEIGHT	A3 SHEET 1/1