

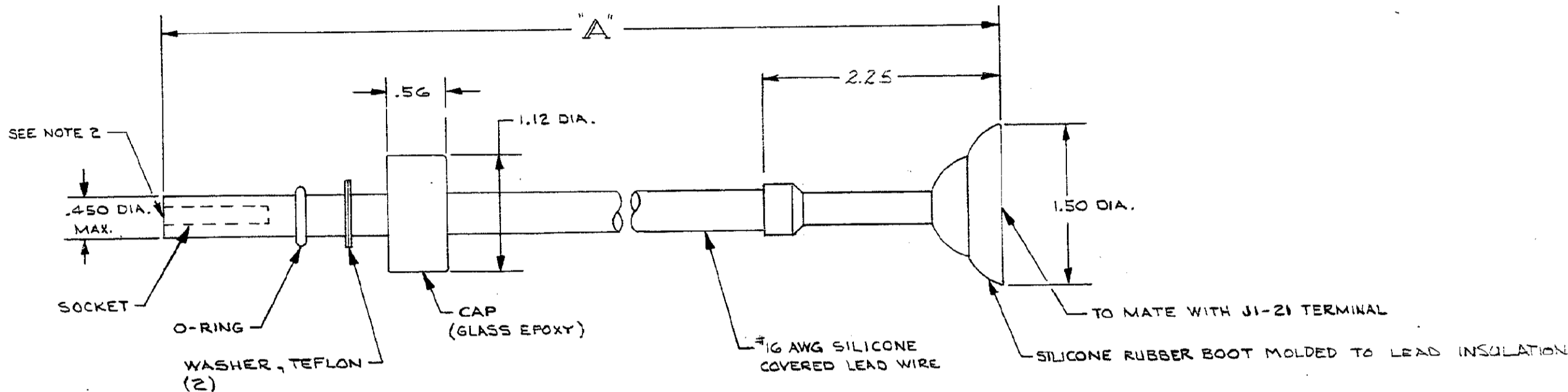
DRAWING MADE IN AMERICAN PROJECTION

© 1968 BY AMP INCORPORATED. ALL RIGHTS RESERVED. AMP PRODUCTS COVERED BY PATENTS AND/OR PATENTS PENDING.

THIS PRODUCT DESIGNED AND BUILT BY AMP INCORPORATED. NO LICENSE TO USE THIS DESIGN OR DIMENSIONS, OR TO USE ANY TRADE OR PENDING PATENTS WHICH ARE ISSUED, IS IMPLIED.

REVISIONS				
ZONE	LTR	DESCRIPTION	DATE	APPROVED
	-	REF. SD #24758		
A		REV. PER ECN 2711	T.S. 7/24/72	Kan Y
B		REV. PER ECN 8061	L.G. 7/29/75	M.A
C		OBS-1 PER ECN L-1559	9/29/87	R.B

AMP P/N	"A"	
858932-1	15.00	OBsolete
858932-2	24.00	



- TOLERANCE ON "A" DIMENSION: UP TO 24 = ±.12
24 & UP = ± 1% OF LENGTH
- LEAD ASSY. TO MATE WITH LGH-2 RECEPTACLES 833782, 836560 & ANY DASH NO., 836693, 837043, 840568 & OTHER SIMILAR LGH-2 RECEPTACLES
- COLOR OF LEAD WIRE WHITE UNLESS OTHERWISE SPECIFIED.

QTY REQD	QTY REQD	ITEM NO.	DWG SIZE	PART OR IDENTIFYING NO.	NOMENCLATURE OR DESCRIPTION	SYMBOL
-2	-1					
UNLESS OTHERWISE SPECIFIED: DIMENSIONS ARE IN INCHES TOLERANCES .00 = ±.02 ANGLES = $\sqrt{}$.000 = ±.005					CONTRACT NO. DR <i>W. Saw</i> 3-11-68	
MATERIAL:					AMP INCORPORATED CAPITRON DIVISION ELIZABETHTOWN, PENNSYLVANIA	
FINISH:					NAME LGH-2 CRT LEAD ASSY.	
NEXT ASSY					SIZE C	
FINAL ASSY					CODE IDENT NO. 00779	
NEXT ASSY					NUMBER 858932	
USED ON					SCALE 1/8" = 1"	
QTY REQD					SHEET 10F1	
APPLICATION						

PRINT DIST
4 57