

THIS DRAWING IS UNPUBLISHED.

RELEASED FOR PUBLICATION

ALL RIGHTS RESERVED.

© COPYRIGHT - By -

LOC FT DIST 0

REVISIONS

| P | LTR | DESCRIPTION | DATE | DWN | APVD |
|---|-----|-----------------------------|-----------|-----|------|
| | A6 | ADD- RECOMMENDED PCB LAYOUT | 17MAR2015 | CR | PS |

MATERIALS:

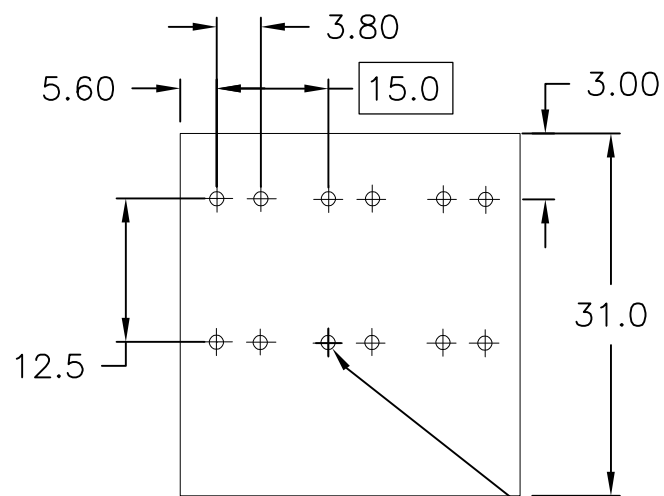
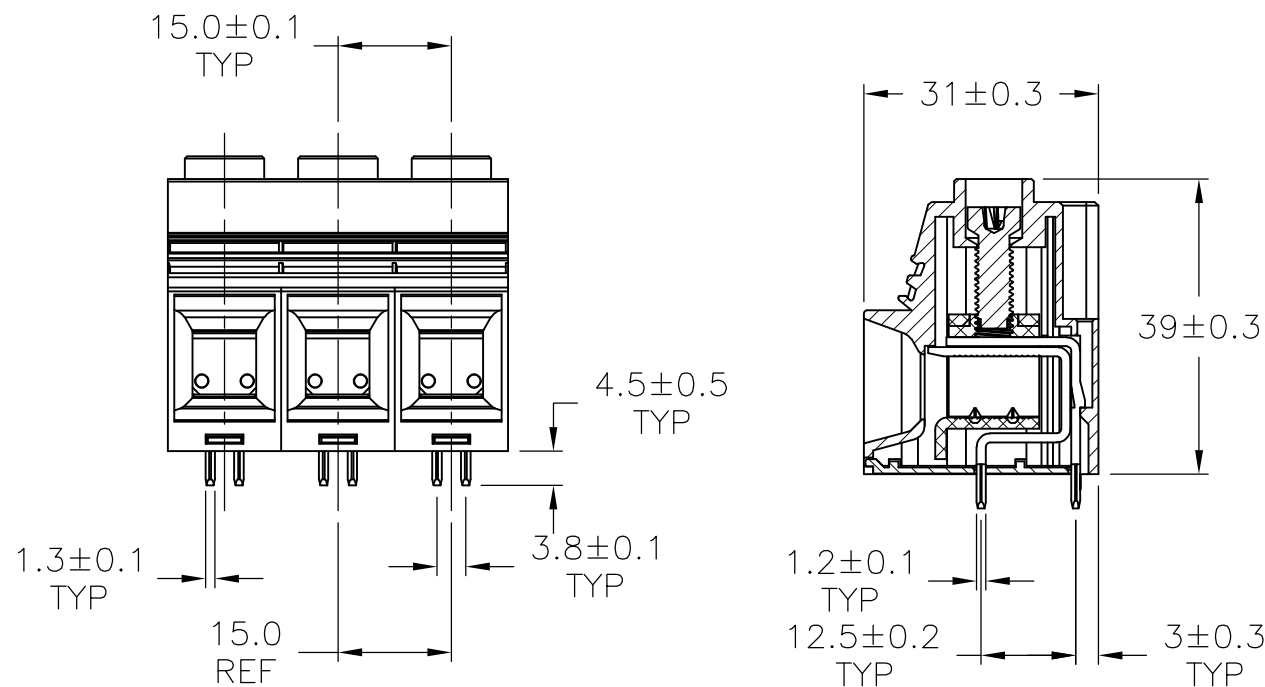
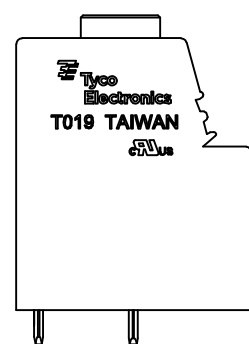
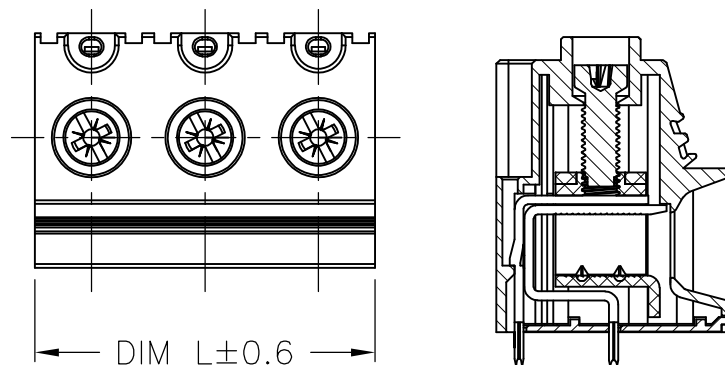
HOUSING: PA66, UL94V-0, COLOR: GREEN.
 TERMINAL: BRASS, TIN PLATED.
 CAGE CLAMP: STEEL, ZINC PLATED.
 SCREW: M5, STEEL, TRI-CHROMATE.

ELECTRICAL:

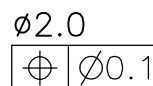
CURRENT RATING: 125A
 VOLTAGE RATING: 600V.
 INSULATION WITHSTANDS: AC2000V MIN
 INSULATION RESISTANCE: 2000Mohm/DC500V
 WIRE RANGE: 1-20 AWG

MECHANICAL:

SCREW TORQUE: 30 IN-LB
 OPERATING TEMP.: -40° TO +105°C
 WIRE STRIP LENGTH: 18mm



RECOMMENDED PCB LAYOUT



| | | |
|--------|-----------|-------------|
| 120.00 | 8 | 1986242-8 |
| 105.00 | 7 | 1986242-7 |
| 90.00 | 6 | 1986242-6 |
| 75.00 | 5 | 1986242-5 |
| 60.00 | 4 | 1986242-4 |
| 45.00 | 3 | 1986242-3 |
| 30.00 | 2 | 1986242-2 |
| DIM L | NO OF POS | PART NUMBER |

| | | | | |
|---|--|--------------------------|-----------------------------------|----------------------|
| THIS DRAWING IS A CONTROLLED DOCUMENT. | | DWN S SCHLEGEL 28AUG2007 | STE TE Connectivity | |
| DIMENSIONS: mm | | CHK C RICHARD 8/28/07 | | |
| TOLERANCES UNLESS OTHERWISE SPECIFIED: ±0.1 | | APVD C RICHARD 8/28/07 | NAME POWER CONNECTOR 15.0mm PITCH | |
| 0 PLC ± - | | PRODUCT SPEC - | SIZE A3 | |
| 1 PLC ± - | | APPLICATION SPEC - | CAGE CODE 00779 | DRAWING NO C-1986242 |
| 2 PLC ± - | | WEIGHT - | RESTRICTED TO - | |
| 3 PLC ± - | | CUSTOMER DRAWING | SCALE 1:1 | SHEET 1 OF 1 |
| 4 PLC ± - | | | | REV A6 |
| ANGLES ± 1° | | | | |
| FINISH - | | | | |
| MATERIAL - | | | | |