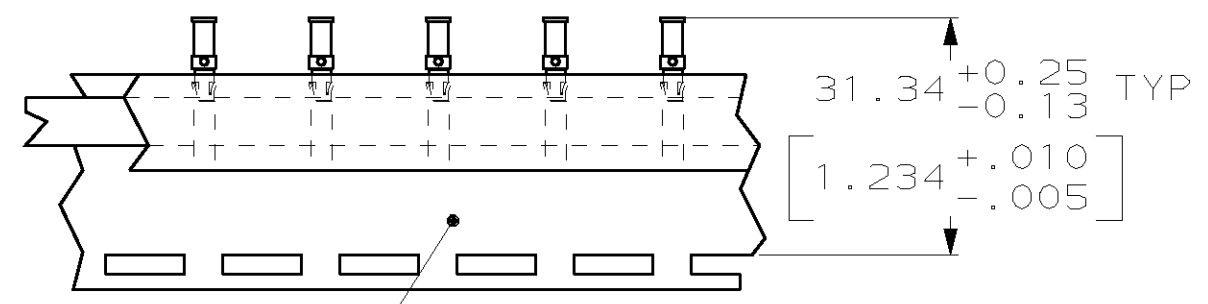
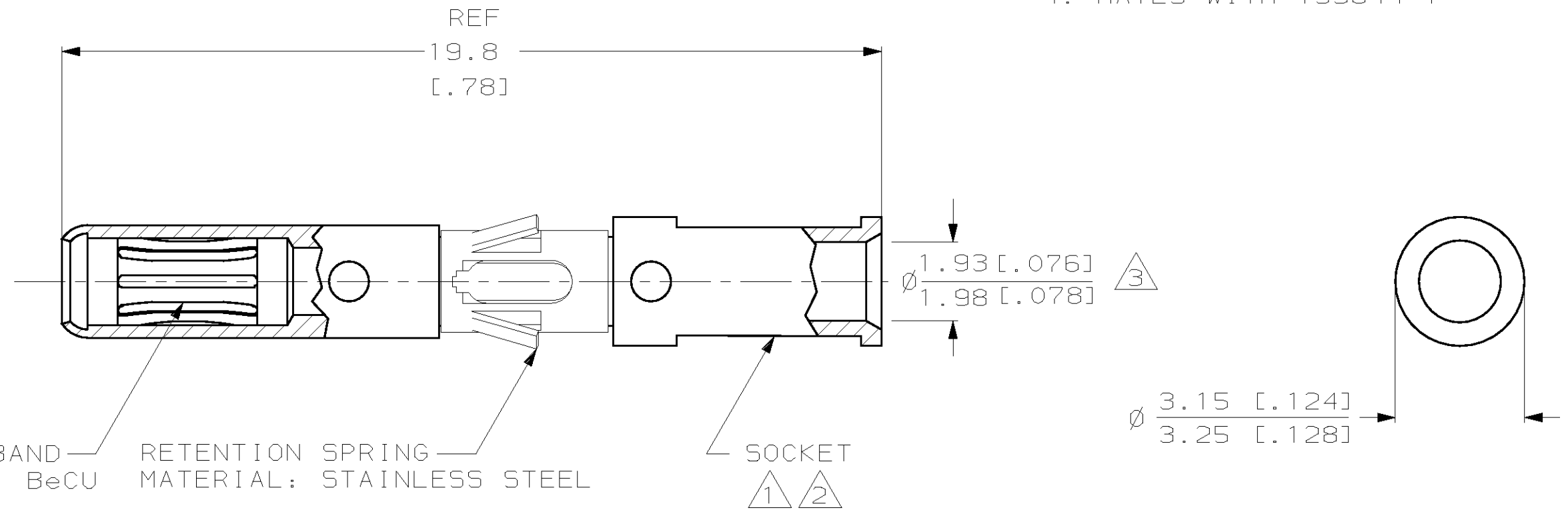


THIS DRAWING IS UNPUBLISHED. RELEASED FOR PUBLICATION, 19 .  
 © COPYRIGHT 19 BY AMP INCORPORATED. ALL RIGHTS RESERVED.

| LOC | DIST | REVISIONS   |          |           |        |
|-----|------|-------------|----------|-----------|--------|
| P   | LTR  | DESCRIPTION | DATE     | DWN       | APVD   |
| CH  | 11   | C           | ADDED -2 | 21/NOV/95 | RNP PG |

5 WHEN ORDERING CONTACT ASSEMBLIES ON TAPE, ORDER BY PART NUMBER PLUS THE PACKAGING CODE AS FOLLOWS:  
 A. 5000 PARTS PER REEL ADD PACKAGING CODE: 5MREEL  
 I.E. ORDER # 193846-2, 5MREEL

- 1 MATERIAL: COPPER ALLOY
- 2 FINISH: SOCKET; 200 μINCHES MIN. SILVER OVER 50 μINCHES MIN. NICKEL BAND; 10 μINCHES MIN. GOLD OVER 40 μINCHES MIN. NICKEL
- 3 WIRE BARREL WILL ACCEPT #14AWG WIRE
- 4. MATES WITH 193844-1



|   |                       |          |
|---|-----------------------|----------|
| 5 | TAPE MTG (SEE DETAIL) | 193846-2 |
|   | STANDARD              | 193846-1 |
|   | PACKAGING TYPE        | PART NO  |

|   |   |  |   |                    |
|---|---|--|---|--------------------|
| THIS DRAWING IS A CONTROLLED DOCUMENT FOR AMP INCORPORATED. IT IS SUBJECT TO CHANGE AND THE CONTROLLING ENGINEERING ORGANIZATION SHOULD BE CONTACTED FOR THE LATEST REVISION. |   | DWN<br>R N POLK<br>25/JAN/95   | AMP Incorporated<br>Harrisburg, PA 17105-3608             |                    |
| DIMENSIONS:<br>mm   | TOLERANCES UNLESS OTHERWISE SPECIFIED:<br>0 PLC ±-<br>1 PLC ±-<br>2 PLC ±-<br>3 PLC ±-<br>4 PLC ±-<br>ANGLES ±-<br>FINISH | CHK<br>-<br>APVD<br>-<br>PRODUCT SPEC<br>-<br>APPLICATION SPEC<br>-<br>WEIGHT<br>- | NAME<br>SOCKET ASSY, #14 AWG<br>HIGH CURRENT TYPE II/III+ |                    |
| MATERIAL<br>1   | 2   | CUSTOMER DRAWING   | SIZE<br>A3  | CAGE CODE<br>00779 |
|   |   |  | DRAWING NO<br>C=193846                                    | SCALE<br>8:1       |
|   |   |  | SHEET<br>1  | OF 1<br>REV<br>C   |