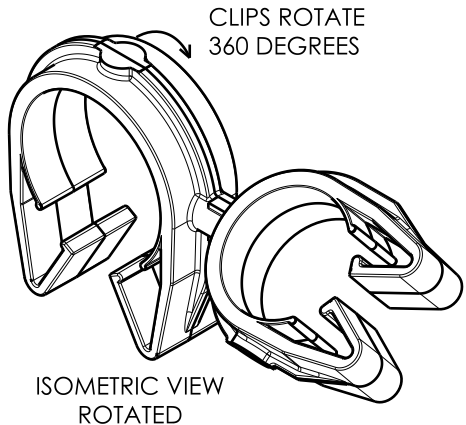
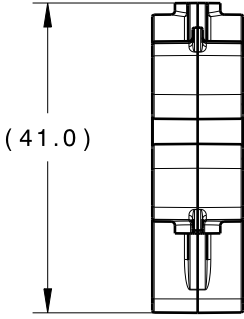
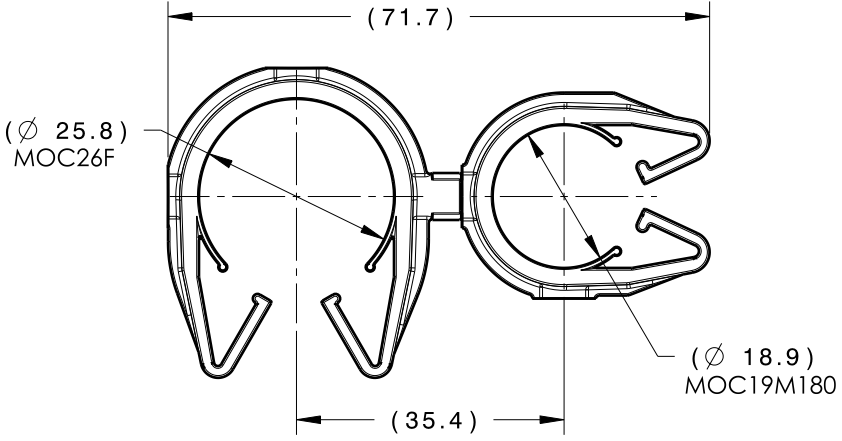
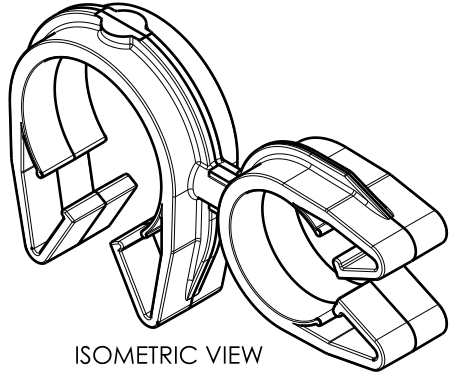
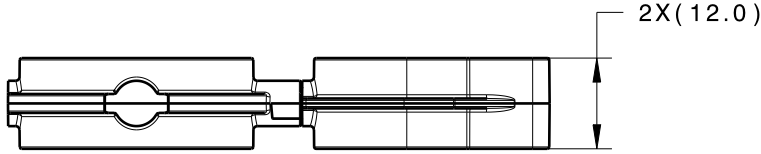


Revision Level			Revision Record	Changed	Date	Approved	Date
Drawing	State	Part					
00.2	Design Release	-	SEE ECN# 014774	TAT	12/3/2018	EJH	12/3/2018



TYPE	MOC26F	MOC19M180
HARNESS	24.5MM - 28.5MM	17.0MM - 20.0MM
HOSE	23.0MM - 28.5MM	17.0MM - 20.0MM
HARD PIPE/TUBE	25.9MM - 29.0MM	19.0MM - 21.8MM

*RECOMMENDED SIZES MAY DIFFER DEPENDING ON THE APPLICATION , PRODUCT REQUIREMENTS AND MATERIALS USED

**PATENT PENDING 29/582,271

GLOBAL PART DESCRIPTION	MOC26F**			MOC19M180**		
	DRAWING	MATERIAL	COLOR	DRAWING	MATERIAL	COLOR
MOC26FMOC19M180-PA66HIRHSUV-BK	16-0325-000-CSU	PA66HIRHSUV	BLACK	16-0322-000-CSU	PA66HIRHSUV	BLACK

Material
SEE CHART
COLOR: SEE CHART

Units millimeters
Tolerance defined on each dimension

The copyright of this drawing is reserved by HellermannTyton. It is issued on condition that it is not reproduced, copied or disclosed to a third party, either wholly or in part, without the consent of HellermannTyton.

Drawn CJR 10/1/18
Approved TAT 10/1/18
HellermannTyton
North America
Email: corp@htamericas.com
Web: www.hellermann.tyton.com

Article/Type-No MOC26FMOC19M180
Title 26MM MOC COUPLED TO A 19MM MOC M180
Drawing-No PRODUCTION : Phase
16-0330-864-CSU

Scale 1:1
Project Number 16-0330
Format AH
Sheet 1/1