

MATERIAL

Transparent polyamide based (PA-T) technopolymer. Avoid contact with alcohol or detergents containing alcohol.

The window consists of a continuous series of prisms which provide a clear and immediate reading of the level of the oil contained in the reservoir.

PACKING RING

NBR synthetic rubber.

The positioning of the packing ring in its housing guarantees a high tightening torque.

MAXIMUM CONTINUOUS WORKING TEMPERATURE

100°C.

NOTE

For use with other fluids with special additives, please contact ELESA Sales Department.

ACCESSORIES ON REQUEST

Brass nut type GH. (see page 1746) for fitting to reservoirs with wall thickness smaller than 5 mm.

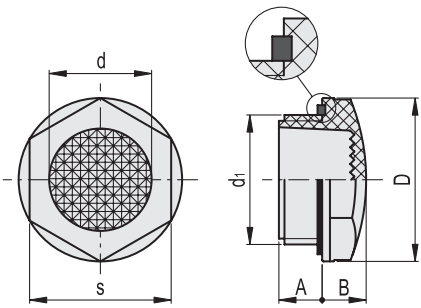


ELESA Original design

- 1
- 2
- 3
- 4
- 5
- 6
- 7
- 8
- 9
- 10
- 11
- 12
- 13
- 14
- 15
- 16
- 17
- 18

Conversion Table
1 mm = 0.039 inch

d	
mm	inch
15	0.59
20	0.79
24	0.94
30.5	1.20



BSP

METRIC

Code	Description	d1	A	B	D	d	s	Tightening torque [Nm]	⚖️
14692	HFTR.15/PR-1/2	G 1/2	10.5	9	28	15	24	8+10	6
14722	HFTR.20/PR-3/4	G 3/4	10.5	10.5	35	20	32	10+12	9
14742	HFTR.24/PR-1	G 1	11	13.5	42.5	24	38	10+12	13
14762	HFTR.30/PR-1¼	G1 1/4	19	16	52	30.5	41	12+14	21