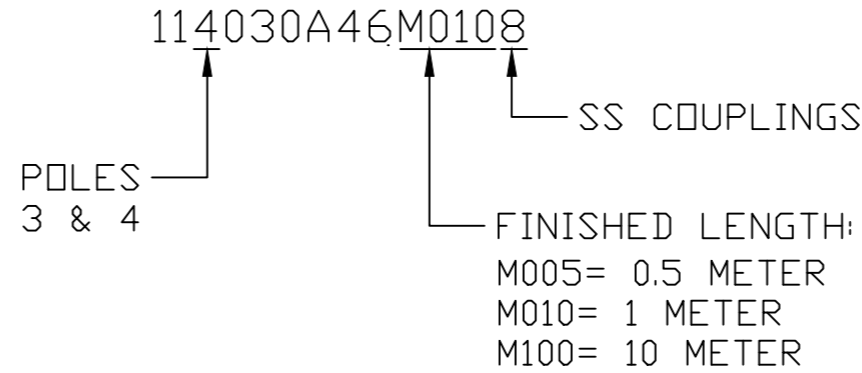


3P WIRING DIAGRAM

4P WIRING DIAGRAM

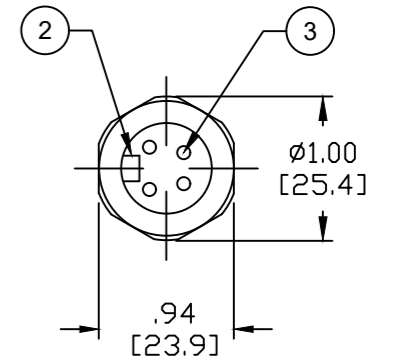
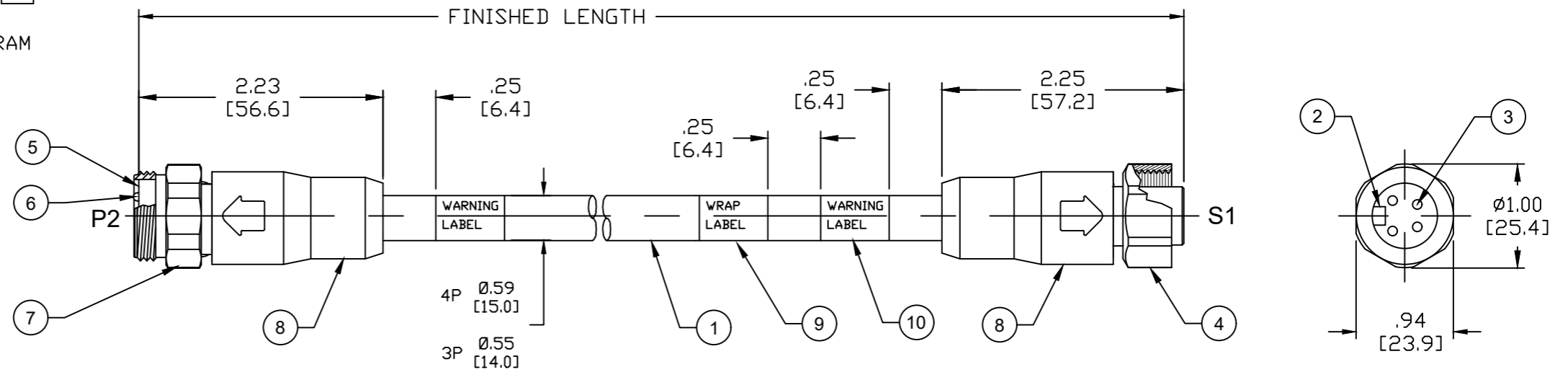
- NOTES:
1. MATERIAL: AS NOTED
  2. FINISH: AS NOTED
  3. ELECTRICAL:  
VOLTAGE: 3P: 500V PER IEC60664  
4P: 483V PER IEC60664  
600V PER UL2237  
CURRENT: 15A
  4. TEMP RATING: -20°TO +90°C
  5. PROTECTION: IP67 (WHEN MATED)
  6. COUPLING THREAD: 7/8-16UN
  7. UL LISTED FILE: E258922
  8. ALL DIMS ARE FOR REFERENCE UNLESS TOLERANCED OR NOTED OTHERWISE

PART NUMBER LEGEND



CABLE LENGTH TOLERANCES

<.3M [1FT]:	+19mm-0 [+.75in-0]
.3 - .9M [1 - 3FT]:	+44.5mm-0 [+1.75in-0]
.9 - 1.8M [3 - 6FT]:	+55.6mm-0 [+2.19in-0]
1.8 - 3.7M [6 - 12FT]:	+88.9mm-0 [+3.50in-0]
3.7 - 7.3M [12 - 24FT]:	+165.1mm-0 [+6.50in-0]
7.3-14.6M [24 - 48FT]:	+317.5mm-0 [+12.50in-0]
14.6 - 30.5M [48-100FT]:	+622.3mm-0 [+24.50in-0]
OVER 30M [100FT]:	+2% OF FINISHED LENGTH



HEX TYP. BOTH ENDS

ITEM	DESCRIPTION	MATERIAL	FINISH
10	WARNING LABEL	VINYL	ORANGE/BLACK
9	WRAP LABEL	VINYL	BLACK/YELLOW
8	OVERMOLDS	TPE	GRAY
7	COUPLING, MALE	ST-STEEL	PASSIVATED
6	CONTACT PIN	COPPER ALLOY	GOLD PLATED
5	MALE INSERT (A-SIZE)	TPE	BLACK
4	COUPLING, FEMALE	ST-STEEL	PASSIVATED
3	CONTACT SOCKET	COPPER ALLOY	GOLD PLATED
2	FEMALE INSERT (A-SIZE)	TPE	BLACK
1	CABLE, 14/4, 90°C, 600V	PVC JACKET	GRAY

PART NO.	ENGINEERING NO.	FINISHED LENGTH
1300620121	114030A46M0108	1.0M (3 FT 3IN)
1300620126	114030A46M0308	3.0M (6 FT 7IN)
1300620234	113030A46M1008	10.0M (32 FT 10IN)

FUNCTIONAL SYMBOLS	THIS DRAWING CONTAINS INFORMATION THAT IS PROPRIETARY TO MOLEX ELECTRONIC TECHNOLOGIES, LLC AND SHOULD NOT BE USED WITHOUT WRITTEN PERMISSION		
DIMENSION UNITS	INCH/MM	SCALE	1:1
GENERAL TOLERANCES (UNLESS SPECIFIED)	CURRENT REV DESC: UPDATE PER LATEST DOC STD. BORDER, NOTES, O-MOLD AND INSERTS WERE PVC ADD WIRING DIAGRAM		
4 PLACES	±---	±---	EC NO: 648067
3 PLACES	±---	±---	DRWN: RSTONE 2020/10/28
2 PLACES	±---	±---	CHK'D: MZIELINSKI 2020/10/29
1 PLACE	±---	±---	APPR: BWOODMAN 2020/10/30
0 PLACES	±---	±---	INITIAL REVISION:
ANGULAR TOL ± --- °	DRWN: RSTONE 2017/09/12		
DRAFT WHERE APPLICABLE MUST REMAIN WITHIN DIMENSIONS	APPR: BWOODMAN 2017/10/04		
THIRD ANGLE PROJECTION	DRAWING	SERIES	130062
MATERIAL NUMBER		CUSTOMER	SEE P/N NO CHART
DOCUMENT NUMBER		DOC TYPE	DOC PART
SD-130062-041		PSD	001
SHEET NUMBER		1 OF 1	