

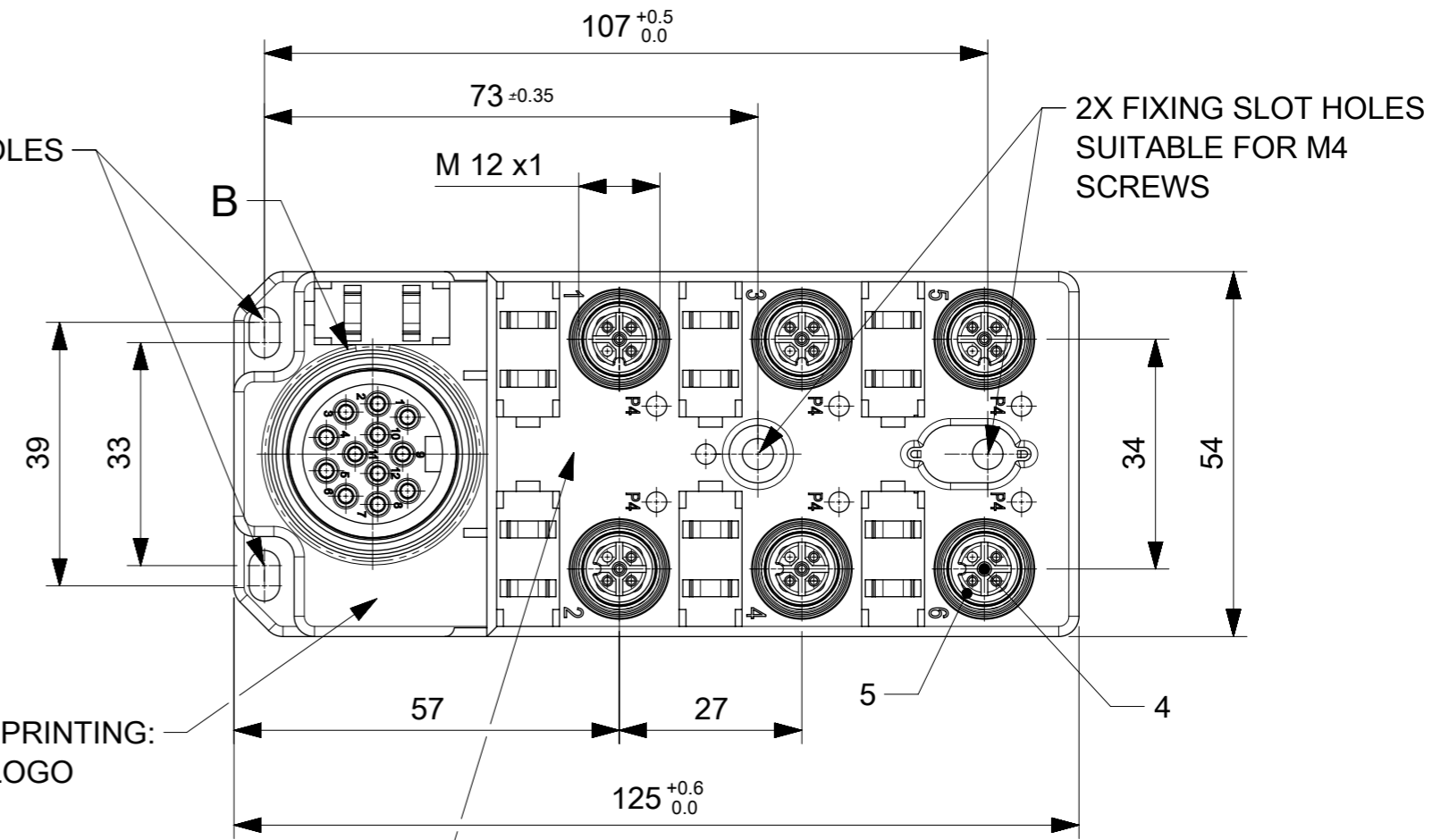
**TABLE 1**

MOLEX P/N	ENG. NO.	LED
1202510076	BKB6010-FBB	NO
1202510077	BKB601P-FBB	YES
1202510078	BKB601N-FBB	YES

**TABLE 2 BILL OF MATERIAL**

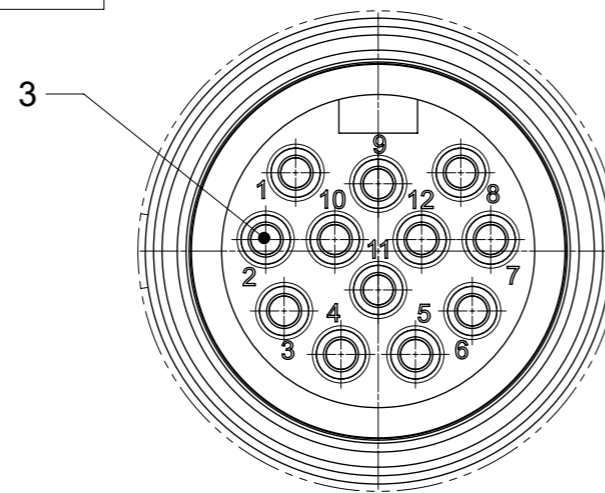
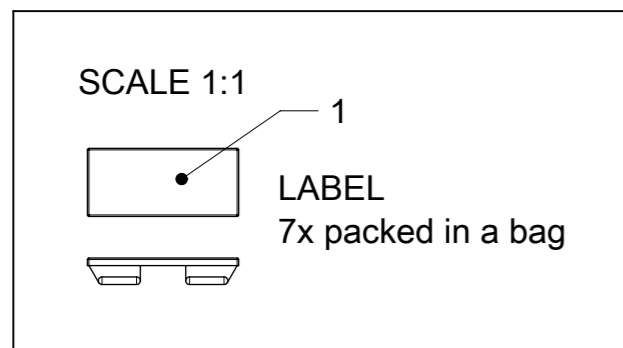
ITEM	DESCRIPTION	MATERIAL	FINISH
1	LABEL	ABS	WHITE
2	SHELL	BRASS	NICKEL PLATED
3	CONTACT	BRASS	GOLD OVER NICKEL
4	CONTACT	BRONZE	GOLD OVER NICKEL
5	O-RING	FPM	RED
6	LED	NO LED = PA	BLACK
		WITH LED = PA	TRANSPARENT
7	SHELL	BRASS	NICKEL PLATED
8	HOUSING	PBT	BLACK

2X FIXING SLOT HOLES  
SUITABLE FOR M4  
SCREWS

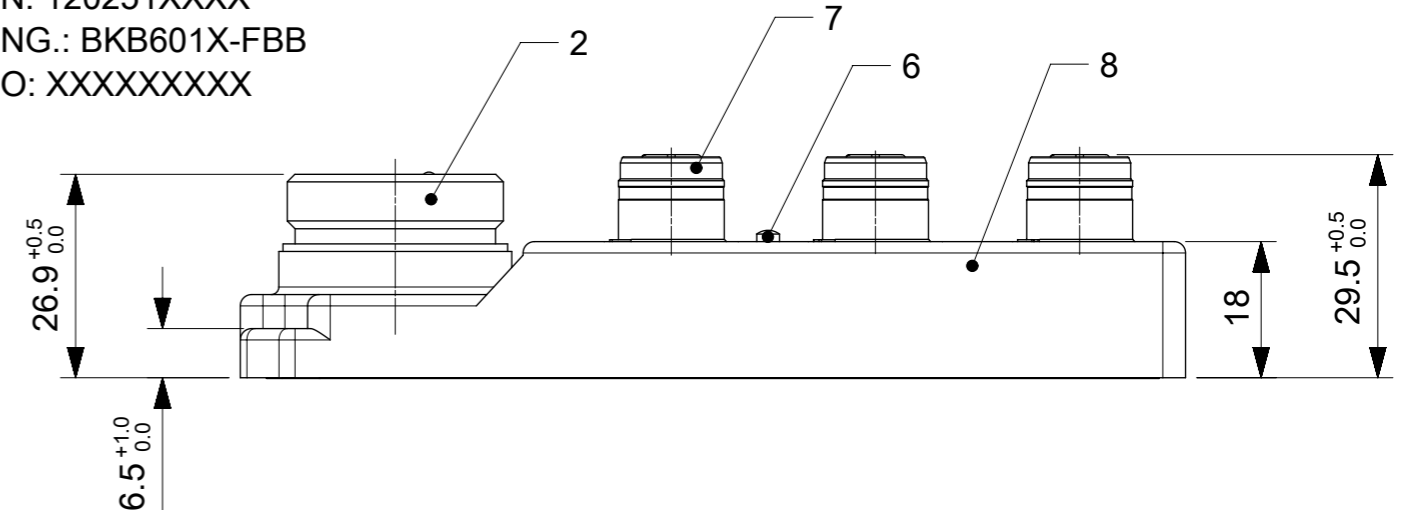


LASER PRINTING:  
BRAD LOGO

LASER PRINTING:  
PN: 120251XXXX  
ENG.: BKB601X-FBB  
PO: XXXXXXXXXX



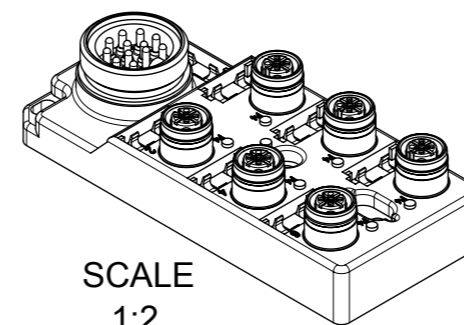
**DETAIL B**  
**SCALE 2:1**  
NOTE - PINS 7, 8, 12  
NOT USED



**GENERAL CHARACTERISTICS:**

ELECTRICAL AND MECHANICAL DATA ACC. TO IEC 61076-2-101

NOMINAL VOLTAGE: 10-30 V DC  
 AMPERE RATING: 4 A PER PORT / 12 A MAX  
 AMPERE RATING WITH UL REGISTRATION: 3 A PER PORT / 9 A MAX  
 IP DEGREE OF PROTECTION: IP 67  
 TEMPERATURE RANGE: -25°C to + 85°C



**SCALE**  
**1:2**

SYMBOLS		THIS DRAWING CONTAINS INFORMATION THAT IS PROPRIETARY TO MOLEX ELECTRONIC TECHNOLOGIES, LLC AND SHOULD NOT BE USED WITHOUT WRITTEN PERMISSION					
DIMENSION UNITS	SCALE	CURRENT REV DESC:					
mm	1:1	EC NO: 630686 DRWN: SSM 2018/12/14 CHK'D: RSILLER 2020/01/17 APPR: RSILLER 2020/01/17					
GENERAL TOLERANCES (UNLESS SPECIFIED)							
ANGULAR TOL	± 1.0°	INITIAL REVISION: DRWN: SSM 2018/12/14 APPR: RSILLER 2020/01/17					
4 PLACES	±						
3 PLACES	±	DRAFT WHERE APPLICABLE MUST REMAIN WITHIN DIMENSIONS					
2 PLACES	± 0.05						
1 PLACE	± 0.3	THIRD ANGLE PROJECTION	DRAWING	SERIES	MATERIAL NUMBER	CUSTOMER	SHEET NUMBER
0 PLACES	± 0.5		A3-SIZE	120251	SEE TABLE 1	GENERAL MARKET	1 OF 2

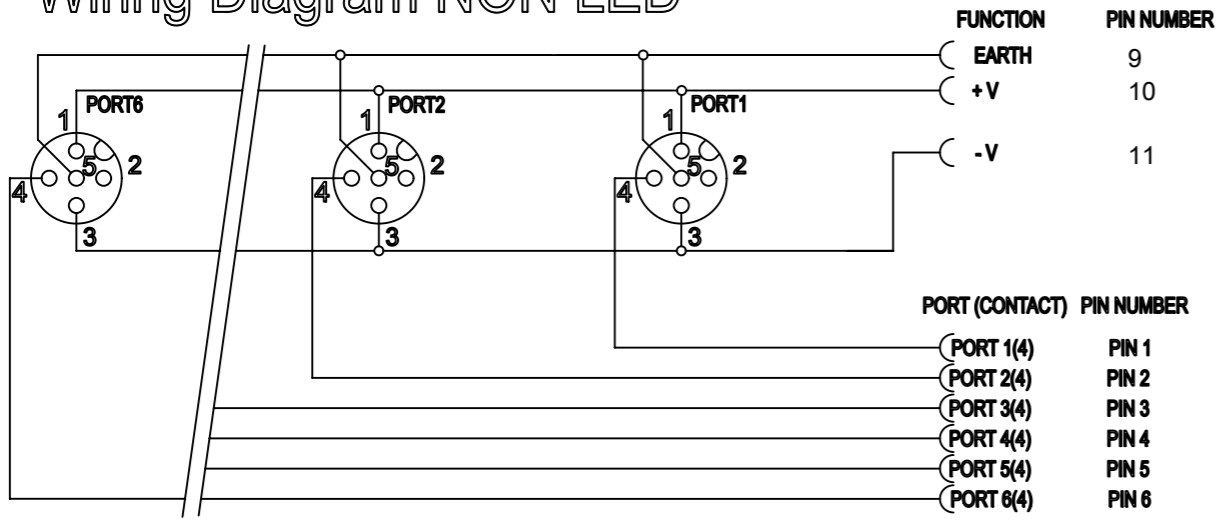
**molex**

MPIS U12 NON 4P 6PT MINI CHANGE BK SINGL

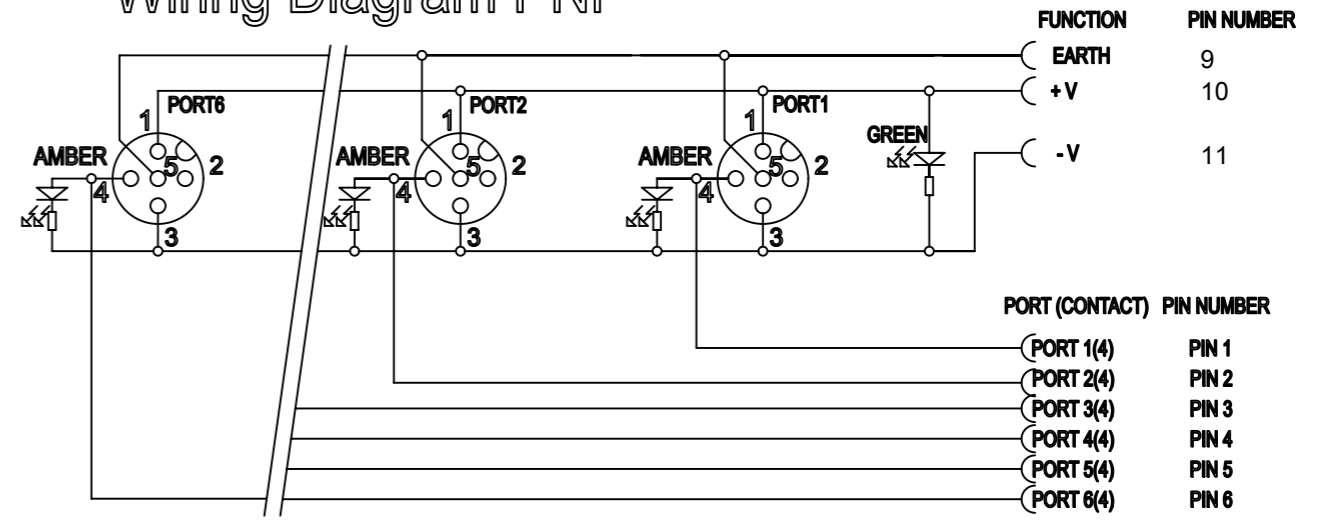
PRODUCT CUSTOMER DRAWING

DOCUMENT NUMBER	DOC TYPE	DOC PART	REVISION
1202510076	PSD	000	A

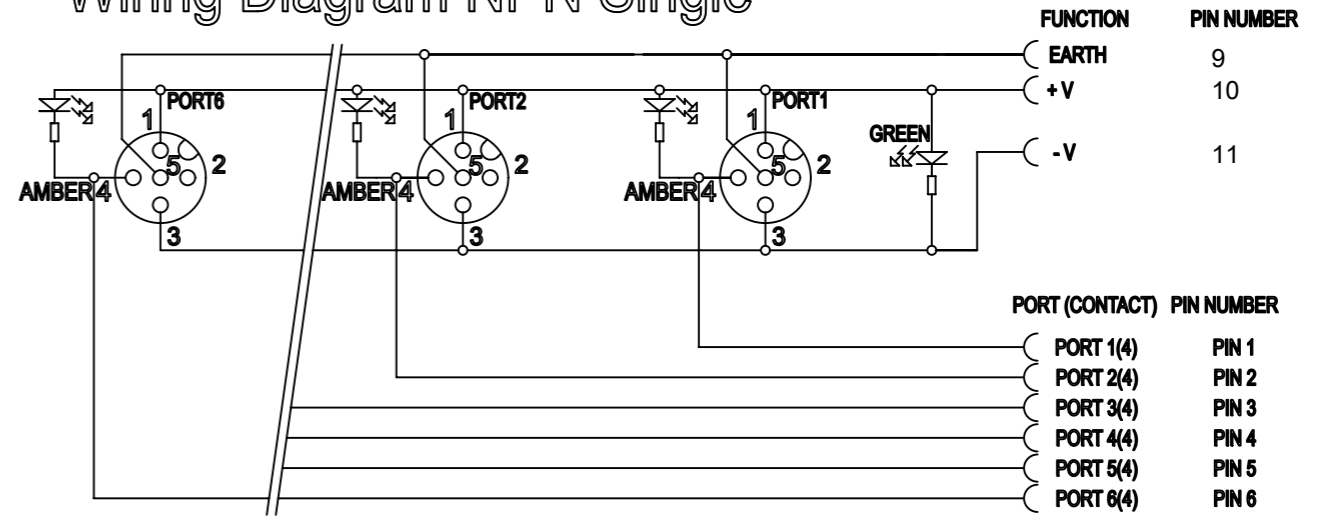
### Wiring Diagram NON LED



### Wiring Diagram PNP



### Wiring Diagram NPN Single



<b>SYMBOLS</b> ▽ = 0 ▽ = 0 ▽ = 0 ▽ = 0 ▽ = 0 ▽ = 0 ▽ = 0 ▽ = 0 ▽ = 0 ▽ = 0 ▽ = 0	THIS DRAWING CONTAINS INFORMATION THAT IS PROPRIETARY TO MOLEX ELECTRONIC TECHNOLOGIES, LLC AND SHOULD NOT BE USED WITHOUT WRITTEN PERMISSION		CURRENT REV DESC:								
	DIMENSION UNITS <b>mm</b>	SCALE <b>1:1</b>	EC NO: 630686 DRWN: SSM 2018/12/14 CHK'D: RSILLER 2020/01/17 APPR: RSILLER 2020/01/17			MPIS U12 NON 4P 6PT MINI CHANGE BK SINGL					
	GENERAL TOLERANCES (UNLESS SPECIFIED) ANGULAR TOL ± 1.0°		INITIAL REVISION: DRWN: SSM 2018/12/14 APPR: RSILLER 2020/01/17				PRODUCT CUSTOMER DRAWING				
	4 PLACES ± 3 PLACES ± 2 PLACES ± 0.05 1 PLACE ± 0.3 0 PLACES ± 0.5	DRAFT WHERE APPLICABLE MUST REMAIN WITHIN DIMENSIONS		THIRD ANGLE PROJECTION		DRAWING <b>A3-SIZE</b>	SERIES <b>120251</b>	MATERIAL NUMBER <b>1202510076</b>	CUSTOMER GENERAL MARKET	DOC TYPE PSD	DOC PART 000