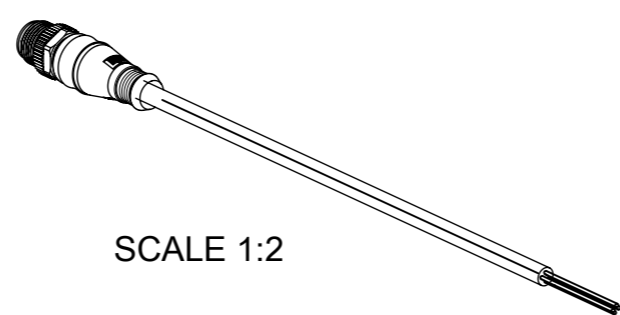


(CABLE END PREPARATION FOR TESTING /in mm)  
(Endbearbeitung am Kabelende für Prüfzwecke /in mm)



SCALE 1:2

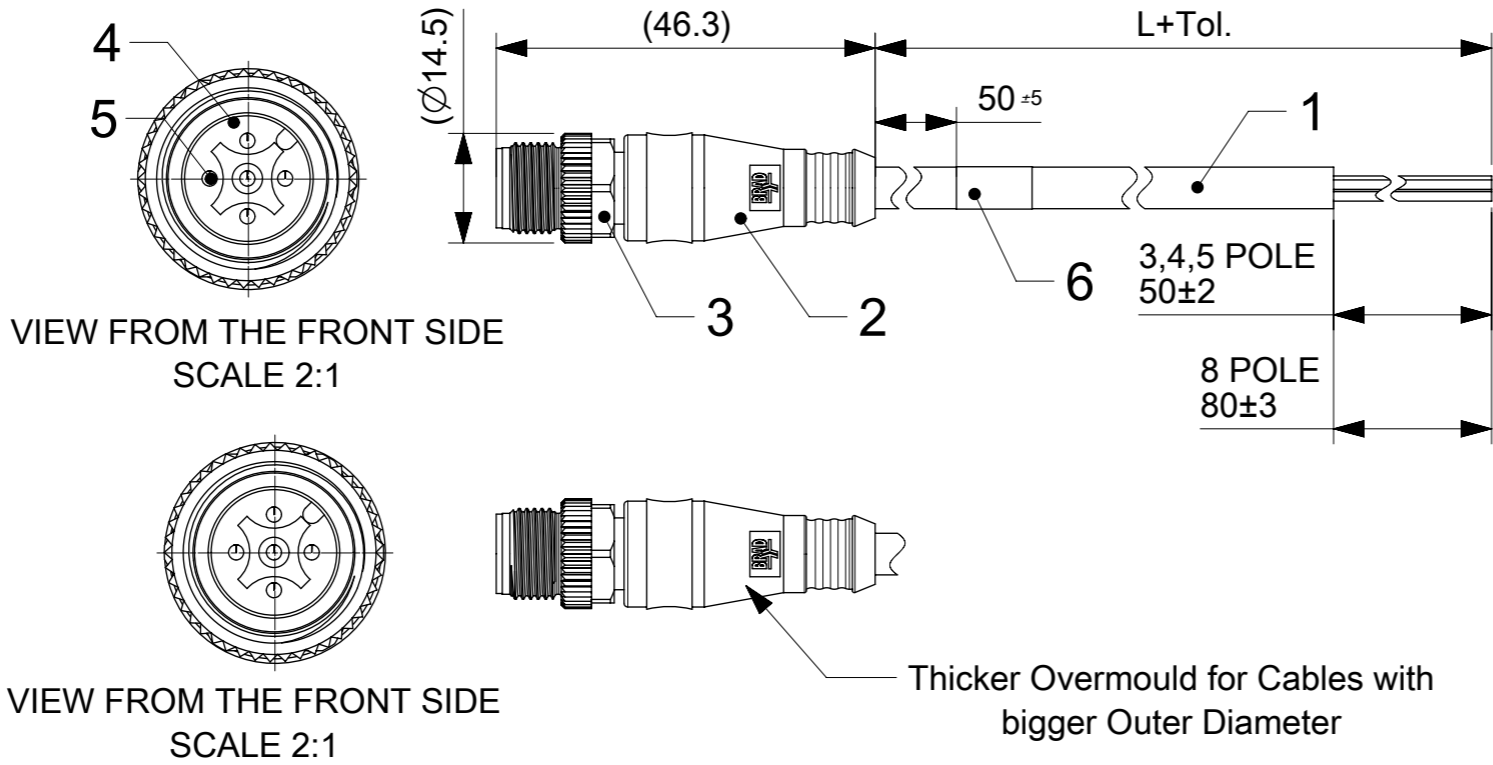
TABLE 1

POL	MATERIAL-NO.	ENGINEERING-NO.	L [mm]	TOLERANCE [mm]
4 POL	1200652378	804006B30M010R	1000	+20mm /-10mm
	1200652379	804006B30M020R	2000	±25mm
	1200652380	804006B30M030R	3000	±25mm
	1200652381	804006B30M040R	4000	±25mm
	1200652382	804006B30M050R	5000	±25mm
8 POL	1200652383	808006B41M010R	1000	+20mm /-10mm
	1200652384	808006B41M020R	2000	±25mm
	1200652385	808006B41M030R	3000	±25mm
	1200652386	808006B41M040R	4000	±25mm
	1200652387	808006B41M050R	5000	±25mm

CONNECTOR SPECIFICATION / Steckverbindungs-Eigenschaften		
VOLTAGE RATING/Betriebsspannung	250V AC/DC	4 POL
	30V AC/DC	8 POL
AMPERAGE RATING/Bemessungsstrom	max. 4 AMPS (40°C)	4 POL
	max. 2 AMPS (40°C)	8 POL
PROTECTION/IP-Schutzart	IP67	4 + 8 POL
OPERATING TEMPERATURE/Temperaturbereich	max. -40°C TO +90°C	4 + 8 POL

POS.	DESCRIPTION	MATERIAL	FINISH
1	INSERT MALE	PUR	BLACK
2	CONTACT MALE	BRASS (8P)	GOLD OVER NICKEL
		COPPER ALLOY (4P)	
3	NUT	BRASS	NICKEL PLATED
4	OVERMOULD	TPU	RED
5	CABLE	PUR	BLACK

<b>QUALITY SYMBOLS</b> A = 0 E = 0 EB = 0 ▼ = 0 C = 0 ⊗ = 0 ■ = 0 ▽ = 0	THIS DRAWING CONTAINS INFORMATION THAT IS PROPRIETARY TO MOLEX ELECTRONIC TECHNOLOGIES, LLC AND SHOULD NOT BE USED WITHOUT WRITTEN PERMISSION				
	EC NO.: 104087 DRWN: ULETTENMEIER CHK'D: CBRUNS APPR: CBRUNS	GENERAL TOLERANCES (UNLESS SPECIFIED) ANGULAR TOL ± 1.0 ° 4 PLACES ± 3 PLACES ± 2 PLACES ± 0.05 1 PLACE ± 0.3 0 PLACES ± 0.5		DIMENSION UNITS: mm SCALE: 2:1	 CSE M12 4P AC MA STR PUR 1M SE UNSH BK BRASS AU PRODUCT CUSTOMER DRAWING
		DRWN BY: EJESKE DATE: 2015/11/04		DRWING SIZE: A3 THIRD ANGLE PROJECTION	
		CHK'D BY: [blank] DATE: [blank]		APPR BY: RSILLER DATE: 2015/12/02	
DRAFT WHERE APPLICABLE MUST REMAIN WITHIN DIMENSIONS		SERIES: 120065 MATERIAL NUMBER: SEE TABLE 1 CUSTOMER: GENERAL MARKET			
RELEASE STATUS: P1 RELEASE DATE: 2016/04/07 10:04:39		DOCUMENT NUMBER: 1200652378 DOC TYPE: PSD DOC PART: 000 SHEET NUMBER: 1 OF 1			



NOTES:  
 RATED VOLTAGE:  
 3, 4 contacts 250V  
 5 contacts 60V  
 8 contacts 30V  
 RATED CURRENT:  
 3, 4, 5 contacts 4A  
 8 contacts 2A  
 PROTECTION CLASS: IP 67

CONTACTS POSITION FRONT VIEW:

	3 CONTACTS	4 CONTACTS	5 CONTACTS	8 CONTACTS																																																
MALE																																																				
CONNECTIONS	<table border="1"> <tr><th>PIN</th><th>WIRE</th></tr> <tr><td>1</td><td>BROWN</td></tr> <tr><td>3</td><td>BLUE</td></tr> <tr><td>4</td><td>BLACK</td></tr> </table>	PIN	WIRE	1	BROWN	3	BLUE	4	BLACK	<table border="1"> <tr><th>PIN</th><th>WIRE</th></tr> <tr><td>1</td><td>BROWN</td></tr> <tr><td>2</td><td>WHITE</td></tr> <tr><td>3</td><td>BLUE</td></tr> <tr><td>4</td><td>BLACK</td></tr> </table>	PIN	WIRE	1	BROWN	2	WHITE	3	BLUE	4	BLACK	<table border="1"> <tr><th>PIN</th><th>WIRE</th></tr> <tr><td>1</td><td>BROWN</td></tr> <tr><td>2</td><td>WHITE</td></tr> <tr><td>3</td><td>BLUE</td></tr> <tr><td>4</td><td>BLACK</td></tr> <tr><td>5</td><td>GREY OR GREEN/YELLOW</td></tr> </table>	PIN	WIRE	1	BROWN	2	WHITE	3	BLUE	4	BLACK	5	GREY OR GREEN/YELLOW	<table border="1"> <tr><th>PIN</th><th>WIRE</th></tr> <tr><td>1</td><td>WHITE</td></tr> <tr><td>2</td><td>BROWN</td></tr> <tr><td>3</td><td>GREEN</td></tr> <tr><td>4</td><td>YELLOW</td></tr> <tr><td>5</td><td>GREY</td></tr> <tr><td>6</td><td>PINK</td></tr> <tr><td>7</td><td>BLUE</td></tr> <tr><td>8</td><td>RED</td></tr> </table>	PIN	WIRE	1	WHITE	2	BROWN	3	GREEN	4	YELLOW	5	GREY	6	PINK	7	BLUE	8	RED
PIN	WIRE																																																			
1	BROWN																																																			
3	BLUE																																																			
4	BLACK																																																			
PIN	WIRE																																																			
1	BROWN																																																			
2	WHITE																																																			
3	BLUE																																																			
4	BLACK																																																			
PIN	WIRE																																																			
1	BROWN																																																			
2	WHITE																																																			
3	BLUE																																																			
4	BLACK																																																			
5	GREY OR GREEN/YELLOW																																																			
PIN	WIRE																																																			
1	WHITE																																																			
2	BROWN																																																			
3	GREEN																																																			
4	YELLOW																																																			
5	GREY																																																			
6	PINK																																																			
7	BLUE																																																			
8	RED																																																			

FOR OPTION SEE - NUMERICAL CODE - ON SHEET 2

ITEM	QTY.	DESCRIPTION	MATERIAL	FINISH
6	1	LABEL	VINYL	YELLOW
5	3/4/5	CONTACT MA	COPPER	GOLD OVER Ni-PLATED
	8	CONTACT MA	BRASS	GOLD OVER Ni-PLATED
4	1	INSERT M12 MA XP BK	PUR	-
3	1	COUPLING NUT M12 MA	SEE SHEET 2	SEE SHEET 2
2	-	OVERMOULDING	TPU	SEE SHEET 2
1	-	CABLE	SEE SHEET 2	-

THIS DRAWING CONTAINS INFORMATION THAT IS PROPRIETARY TO MOLEX ELECTRONIC TECHNOLOGIES, LLC AND SHOULD NOT BE USED WITHOUT WRITTEN PERMISSION

FUNCTIONAL SYMBOLS:  $\nabla_A = 0$ ,  $\nabla_E = 0$ ,  $\nabla_V = 0$

DIMENSION UNITS: mm, SCALE: 1:1

GENERAL TOLERANCES (UNLESS SPECIFIED):  
 ANGULAR TOL  $\pm 1.0^\circ$   
 4 PLACES  $\pm$   
 3 PLACES  $\pm 0.05$   
 2 PLACES  $\pm 0.3$   
 1 PLACE  $\pm 0.5$   
 0 PLACES  $\pm$

DIVISIONAL SYMBOLS: DRAFT WHERE APPLICABLE MUST REMAIN WITHIN DIMENSIONS

THIRD ANGLE PROJECTION:

DRAWING: A3-SIZE, SERIES: 120065, MATERIAL NUMBER: SEE SHEET 3, CUSTOMER: GENERAL MARKET, SHEET NUMBER: 1 OF 3

CURRENT REV DESC:  
 EC NO: 639641  
 DRWN: ASZELAG 2020/06/16  
 CHK'D: DSTACHOWIAK 2020/06/16  
 APPR: DSTACHOWIAK 2020/06/16  
 INITIAL REVISION:  
 DRWN: AKONDRACIUK 2016/11/28  
 APPR: MIWASIECZKO 2016/12/06

**molex**  
 CSE M12 XP AC MA STR WSOR XM SE UNSH

PRODUCT CUSTOMER DRAWING

DOCUMENT NUMBER: 1200659964, DOC TYPE: PSD, DOC PART: 00P, REVISION: C1

# ENGINEERING NO - NUMERICAL CODE (Available parts see PART LIST table. Other parts available upon request).

8 0 X 0 0 6 B X X M X X X X

88 = M12x1  
SINGLE ENDED

POLES:  
3 = 3 POLES  
4 = 4 POLES  
5 = 5 POLES  
8 = 8 POLES

HEADER:  
006 = PLUG MALE STRARIGHT

CABLE TYPE:  
SEE TABLE

UNIT:  
M = METER

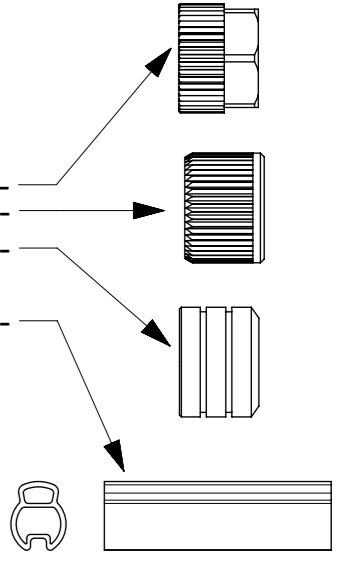
LENGTH:  
EXAMPLE:  
010 = 1 m  
050 = 5 m  
100 = 10 m

OPTIONS

Overmold color:  
Blank (Standard)=Black  
A=Grey / G=Black / Y=Yellow / R=Red

Coupling Nut:  
Blank (Standard)=Knurled/Hex Brass, Ni Plated  
5=Knurled Derlin  
7=Knurled Brass Ni Plated, Teflon Coated

H= 2 pcs. of I/D Carrier PVC Transparent  
(Cable B36 always with  
2 pcs. I/D Carrier)



## CABLE INFORMATION (for more information see Cable Data Sheet).

CABLE TYPE	NO. OF WIRES	CROSS SECTION	CABLE JACKET	UL	CSA	STATIC: TEMP. / BENDING RADIUS	DYNAMIC: TEMP. / BENDING RADIUS	DRAG CHAIN: TEMP. / BENDING RADIUS	DRAG CHAIN	CABLE PRODUCT SPECIFICATION	CABLE SPEC. DRAWING
B30	3 / 4 / 5	0.34mm <sup>2</sup>	TPU Black	UL 21215/758	C22.2 I/II A/B 80°/600V	-40°C to +90°C 5xO.D.	-25°C to +80°C 7.5xO.D.	-5°C to +60°C 7.5xO.D.	up to 5 000 000 cycles at temp 20°C	1552200001	SD-120209-001
B33	4 / 5	0.34mm <sup>2</sup>	TPU Gray								SD-120209-001
B36	4 / 5	0.34mm <sup>2</sup>	TPU Orange								SD-120209-001
B41	8	0.25mm <sup>2</sup>	TPU Black								SD-120209-006
B42	5	0.34mm <sup>2</sup>	TPU Black								SD-120209-001
B49	8	0.25mm <sup>2</sup>	TPU Orange								SD-120209-006
B55	3 / 4 / 5	0.34mm <sup>2</sup>	TPU Yellow								n/a

OVER	UP TO AND INCLUDING	TOLERANCE
0	1000	+40 0
1000	5000	+60 0
5000	10000	+80 0
10000	20000	+140 0
20000	30000	+160 0
30000	>	+1% OF LENGTH

FUNCTIONAL SYMBOLS	THIS DRAWING CONTAINS INFORMATION THAT IS PROPRIETARY TO MOLEX ELECTRONIC TECHNOLOGIES, LLC AND SHOULD NOT BE USED WITHOUT WRITTEN PERMISSION	CURRENT REV DESC:		<b>molex</b>
	DIMENSION UNITS: <b>mm</b> SCALE: <b>1:1</b> GENERAL TOLERANCES (UNLESS SPECIFIED) ANGULAR TOL ± 1.0° 4 PLACES ± 3 PLACES ± 0.05 2 PLACES ± 0.3 1 PLACE ± 0.5 0 PLACES ±	EC NO: 639641 DRWN: ASZELAG 2020/06/16 CHK'D: DSTACHOWIAK 2020/06/16 APPR: DSTACHOWIAK 2020/06/16		
DIVISIONAL SYMBOLS	DRAFT WHERE APPLICABLE MUST REMAIN WITHIN DIMENSIONS THIRD ANGLE PROJECTION DRAWING: <b>A3-SIZE</b> SERIES: <b>120065</b> MATERIAL NUMBER: <b>SEE SHEET 3</b> CUSTOMER: <b>GENERAL MARKET</b> SHEET NUMBER: <b>2 OF 3</b>	INITIAL REVISION: DRWN: AKONDRACIUK 2016/11/28 APPR: MIWASIECZKO 2016/12/06		PRODUCT CUSTOMER DRAWING DOCUMENT NUMBER: <b>1200659964</b> DOC TYPE: <b>PSD</b> DOC PART: <b>00P</b> REVISION: <b>C1</b>

# PART LIST

MOLEX P/N	ENGINEERING No.	LENGTH (mm)
1200652271	803006B30M010	1000
1200652272	803006B30M020	2000
1200652273	803006B30M050	5000
1200652274	803006B30M100	10000
1200652275	804006B30M010	1000
1200652276	804006B30M020	2000
1200652277	804006B30M050	5000
1200652278	804006B30M100	10000
1200652279	805006B42M010	1000
1200652280	805006B42M020	2000
1200652281	805006B42M050	5000
1200652282	805006B42M100	10000
1200652302	808006B41M010	1000
1200652304	808006B41M050	5000
1200652305	808006B41M100	10000
1200652378	804006B30M010R	1000
1200652379	804006B30M020R	2000
1200652380	804006B30M030R	3000
1200652381	804006B30M040R	4000
1200652382	804006B30M050R	5000
1200652383	808006B41M010R	1000
1200652384	808006B41M020R	2000
1200652385	808006B41M030R	3000
1200652386	808006B41M040R	4000
1200652387	808006B41M050R	5000
1200656001	804006B30M030	3000
1200656400	805006B30M300	30000
1200656401	805006B30M500	50000
1200656487	804006B33M010A	1000
1200656488	804006B33M100A	10000
1200656552	805006B36M1007Y	10000

MOLEX P/N	ENGINEERING No.	LENGTH (mm)
1200656002	804006B30M040	4000
1200656003	808006B41M040	4000
1200656066	804006B30M005	500
1200656296	804006B30M080	8000
1200659440	804006B30M150	15000
1200659451	804006B33M020	2000
1200659452	805006B33M020	2000
1200659453	808006B41M020	2000
1200659526	805006B30M010	1000
1200659527	805006B30M020	2000
1200659528	805006B30M050	5000
1200659529	805006B30M100	10000
1200659546	805006B42M200	20000
1200659547	805006B42M300	30000
1200659596	804006B33M020A	2000
1200659597	804006B33M050A	5000
1200659638	804006B30M030R	3000
1200659680	808006B41M003	300
1200659776	808006B41M030	3000
1200659943	804006B55M050Y	5000
1200659944	804006B55M100Y	10000
1200659945	805006B55M050Y	5000
1200659946	805006B55M100Y	10000
1200659947	805006B55M150Y	15000
1200659964	805006B30M006	600
1200656398	805006B30M150	15000
1200656399	805006B30M200	20000
1200656400	805006B30M300	30000
1200656401	805006B30M500	50000
1200656489	804006B33M003A	300
1200656521	804006B33M005A	500

MOLEX PN	ENGINEERING No	LENGTH (mm)
1200656522	804006B33M030A	3000
1200656614	804006B33M150A	15000
1200656634	804006B55M010Y	1000
1200656635	804006B55M020Y	2000
1200656636	804006B55M030Y	3000
1200656637	804006B55M150Y	15000
1200656674	805006B33M010A	1000
1200656674	805006B33M020A	2000
1200656675	805006B33M030A	3000
1200656676	805006B33M050A	5000
1200656677	805006B33M100A	10000
1200656678	805006B33M150A	15000
1200656679	805006B30M030	3000
1200656680	805006B55M010Y	1000
1200656681	805006B55M020Y	2000
1200656682	805006B55M030Y	3000
1200656855	804006B36M0207Y	2000

FUNCTIONAL SYMBOLS	THIS DRAWING CONTAINS INFORMATION THAT IS PROPRIETARY TO MOLEX ELECTRONIC TECHNOLOGIES, LLC AND SHOULD NOT BE USED WITHOUT WRITTEN PERMISSION		CURRENT REV DESC:		<b>molex</b>		
	DIMENSION UNITS	SCALE					
$\nabla_A = 0$	mm	1:1	EC NO: 639641 DRWN: ASZELAG 2020/06/16 CHK'D: DSTACHOWIAK 2020/06/16 APPR: DSTACHOWIAK 2020/06/16		CSE M12 XP AC MA STR WSOR XM SE UNSH		
$\nabla_B = 0$	GENERAL TOLERANCES (UNLESS SPECIFIED)						
$\nabla_C = 0$	ANGULAR TOL $\pm 1.0^\circ$				PRODUCT CUSTOMER DRAWING		
DIVISIONAL SYMBOLS	4 PLACES	$\pm$			INITIAL REVISION:		DOCUMENT NUMBER
	3 PLACES	$\pm 0.05$	DRWN: AKONDRACIUK 2016/11/28		1200659964		
	2 PLACES	$\pm 0.3$	APPR: MIWASIECZKO 2016/12/06		PSD 00P C1		
	1 PLACE	$\pm 0.5$					
	0 PLACES	$\pm$					
DRAFT WHERE APPLICABLE MUST REMAIN WITHIN DIMENSIONS		THIRD ANGLE PROJECTION	DRAWING	SERIES	MATERIAL NUMBER	CUSTOMER	SHEET NUMBER
			A3-SIZE	120065	SEE PART LIST	GENERAL MARKET	3 OF 3