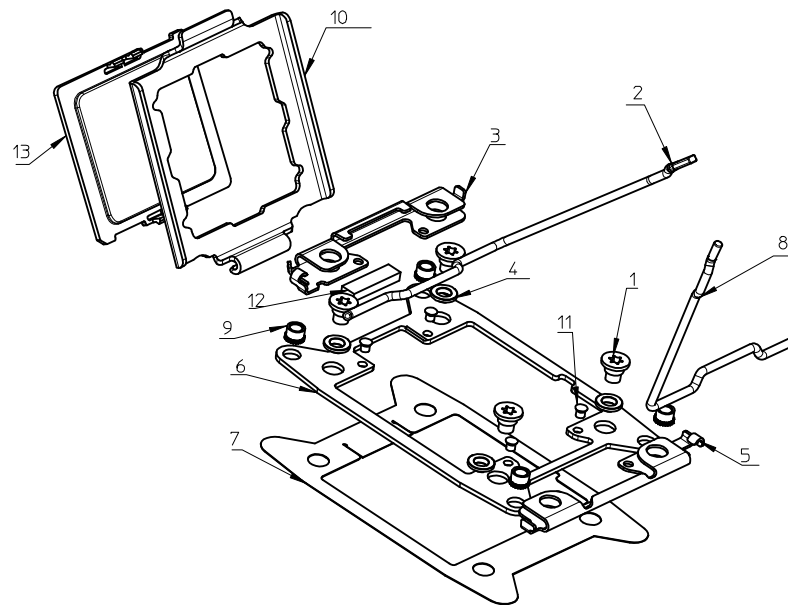
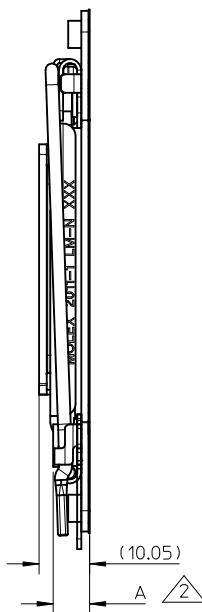
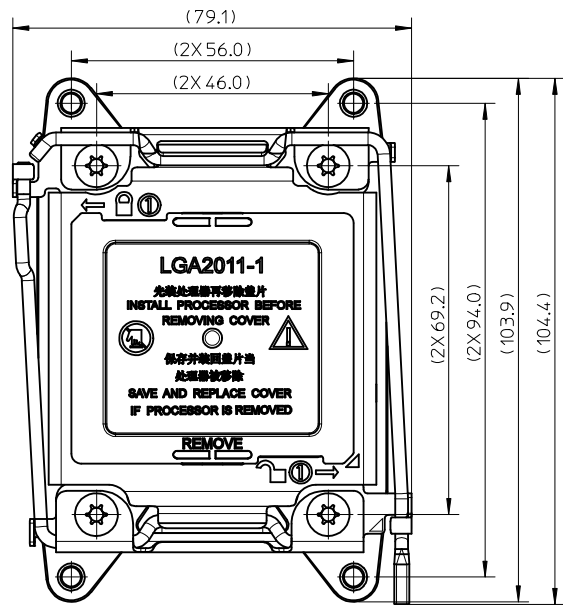


10 9 8 7 6 5 4 3 2 1



NOTES:
 ▲ DATE CODE
 ▲ DIMENSION A : ILM HEIGHT DEFINE

STATUS	HEIGHT
PER-ASSEMBLY	7.55±0.30
AFTER ASSEMBLY	7.23±0.30

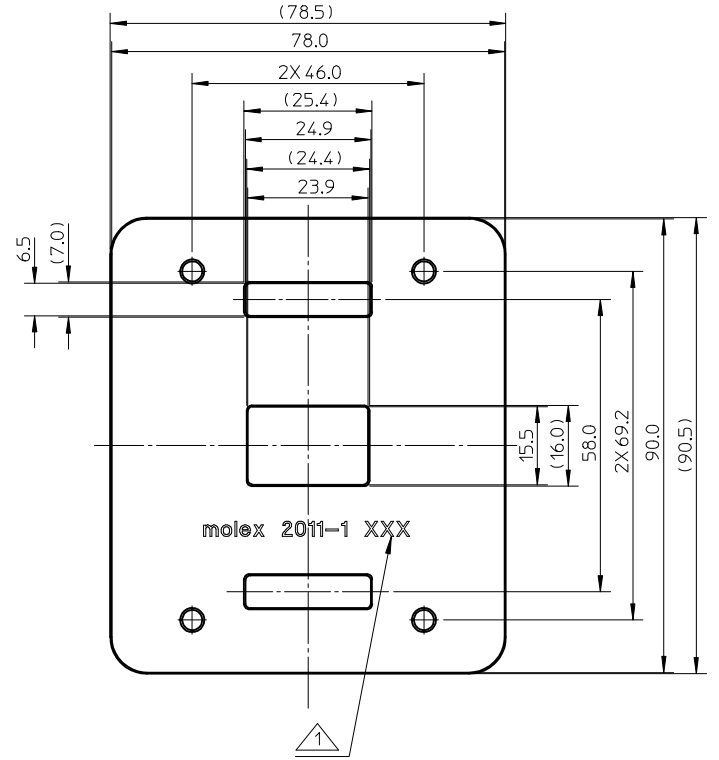
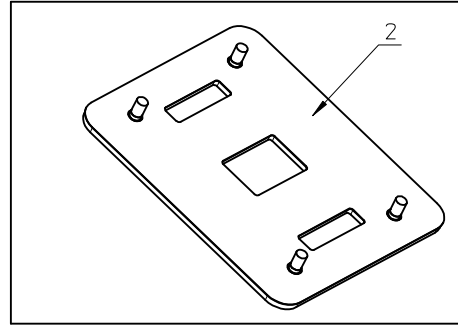
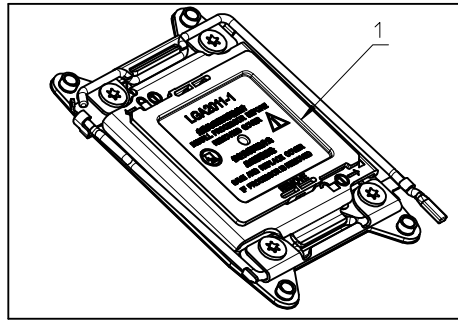
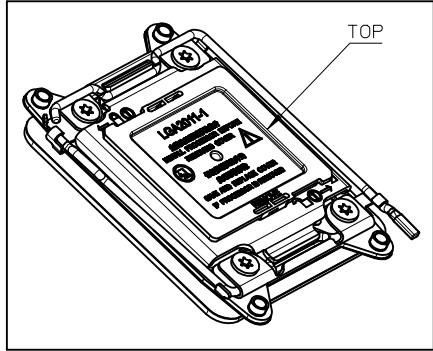
3.THE PARTS 105197**** COMPLIANT TO RoHS DIRECTIVE 2002/95/EC AND ELV 2000/53/EC.

TOP	COMPONENT				
	ITEM NO	Q'TY	PART NO.	DESCRIPTION	MATERIAL
LGA 2011-1 ILM ASSEMBLY (NARROW) PART NO: 105197-1000	1	4	105143-8001	CAPTIVE NUT, SHOULDER(ø6-32 THREAD)	STEEL WITH NICKEL PLATING
	2	1	105198-0001	ILM ACTIVE LEVER	STAINLESS STEEL
	3	4	105143-8003	ILM CAPTIVE NUT COLLAR, SHOULDER	STEEL WITH NICKEL PLATING
	4	1	105198-0002	ILM CLEVIS, ACTIVE	STAINLESS STEEL
	5	1	105198-0003	ILM CLEVIS, HINGE	STAINLESS STEEL
	6	1	105198-0005	ILM FRAME	STEEL WITH NICKEL PLATING
	7	1	105198-0006	ILM FRAME INSULATOR	HALOGEN FREE POLYCARBONATE SHEET
	8	1	105198-0007	ILM HINGE LEVER	STAINLESS STEEL
	9	4	105143-8010	ILM HS STUD (M4 X 0.7MM THREAD)	STEEL WITH NICKEL PLATING
	10	1	105198-0008	ILM LOADPLATE	STAINLESS STEEL
	11	4	105143-8012	ILM RIVET	STAINLESS STEEL
	12	1	105198-0009	ILM SILICON BUMPER	COHRLASTIC
	13	1	105198-0004	ILM COVER	POLYCARBONATE

PROPOSED EC NO: SH2015-0083 DRWN:YXZHENG CHKD:AYIN APPR:AYIN 2012/07/24 2012/07/24 2014/09/02	QUALITY SYMBOLS	GENERAL TOLERANCES (UNLESS SPECIFIED)	DIMENSION STYLE MM ONLY	SCALE 1:1	DESIGN UNITS METRIC	THIRD ANGLE PROJECTION	
	$F_{A/0}$ $F_{C/0}$ $F_{P/0}$	mm INCH 4 PLACES ± --- ± --- 3 PLACES ± --- ± --- 2 PLACES ± 0.2 ± --- 1 PLACE ± 0.3 ± --- 0 PLACE ± --- ± ---	DRAWN BY DATE YXZHENG 2012/07/24 CHECKED BY DATE AYIN 2012/07/24 APPROVED BY DATE AYIN 2014/09/02	TITLE	ILM AND BACK PLATE DRAWING FOR LGA 2011-1 SOCKET R1(NARROW)		
	ANGULAR ± 3 ° DRAFT WHERE APPLICABLE MUST REMAIN WITHIN DIMENSIONS	MATERIAL NO. SEE TABLE	DOCUMENT NO. SD-105197-001	SHEET NO. 1 OF 3			
	1	REV	THIS DRAWING CONTAINS INFORMATION THAT IS PROPRIETARY TO MOLEX INCORPORATED AND SHOULD NOT BE USED WITHOUT WRITTEN PERMISSION				

9 8 7 6 5 4 3 2 1

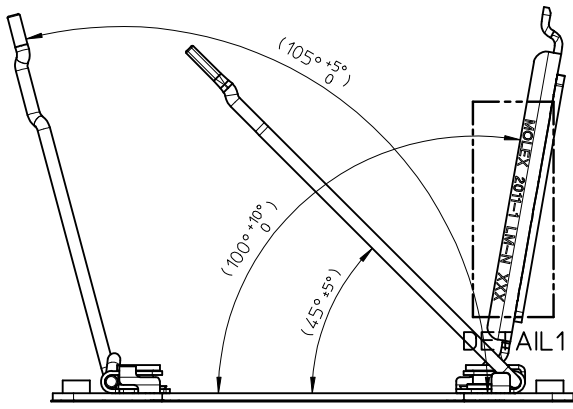
10 9 8 7 6 5 4 3 2 1



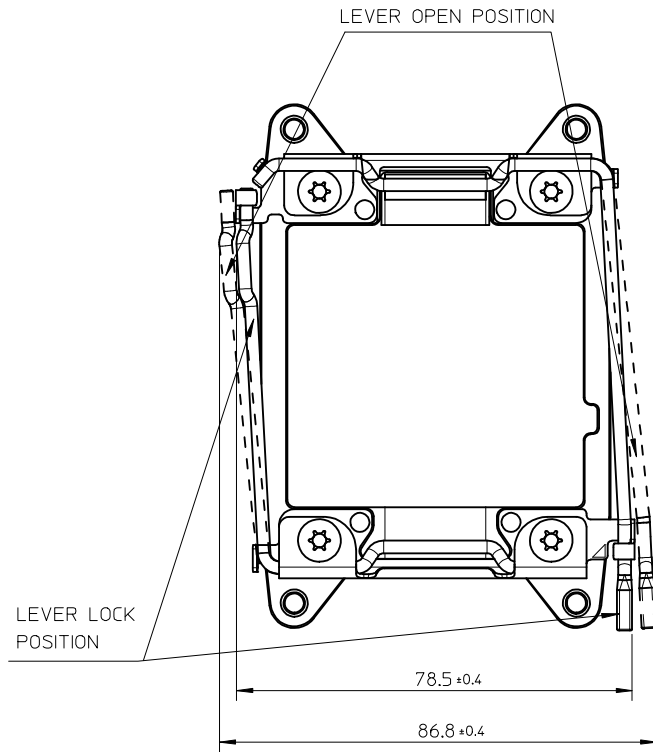
Q'T	ITEM NO	PART NO.	DESCRIPTION
1	TOP	105197-3000	LGA 2011-1 ILM ASSEMBLY WITH ILM COVER AND BACK PLATE ASSEMBLY
1	1	105197-1000	LGA2011-1 ILM ASSEMBLY WITH ILM COVER
1	2	105197-2000	LGA2011-1 BACK PLATE ASSEMBLY

PROPOSED EC NO: SHZ015-0083 DRWN: YXZHENG CHKD: AYIN APPR: AYIN	2012/07/24 2012/07/24 2014/09/02	DESCRIPTION QUALITY SYMBOLS $F_A=0$ $F_G=0$ $F_P=0$	GENERAL TOLERANCES (UNLESS SPECIFIED)		DIMENSION STYLE MM ONLY		SCALE 1:1	DESIGN UNITS METRIC	THIRD ANGLE PROJECTION	
				mm	INCH	DRAWN BY YXZHENG	DATE 2012/07/24	TITLE ILM AND BACK PLATE DRAWING FOR LGA 2011-1 SOCKET R1(NARROW) molex MATERIAL NO. SEE TABLE DOCUMENT NO. SD-105197-001 SHEET NO. 2 OF 3		
				4 PLACES	± --- ± ---	CHECKED BY AYIN	DATE 2012/07/24			
				3 PLACES	± --- ± ---	APPROVED BY AYIN	DATE 2014/09/02			
		2 PLACES	± 0.2 ± ---							
		1 PLACE	± 0.3 ± ---							
		0 PLACE	± --- ± ---							
			ANGULAR ± 3 °							
			DRAFT WHERE APPLICABLE MUST REMAIN WITHIN DIMENSIONS		SIZE A3		THIS DRAWING CONTAINS INFORMATION THAT IS PROPRIETARY TO MOLEX INCORPORATED AND SHOULD NOT BE USED WITHOUT WRITTEN PERMISSION			

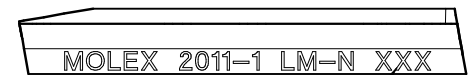
9 8 7 6 5 4 3 2 1



ILM OPEN ANGLE REFERENCE ONLY



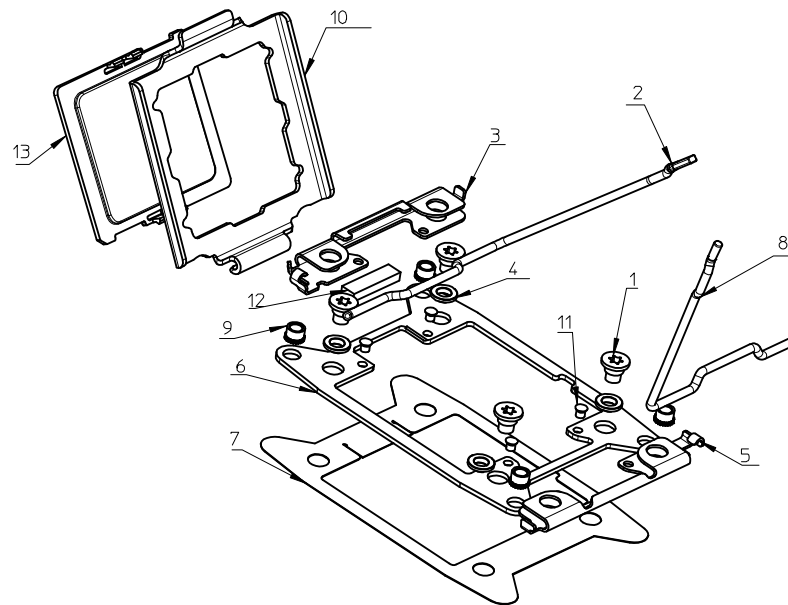
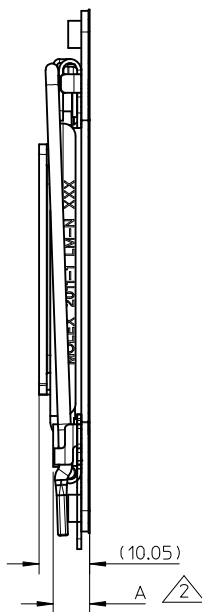
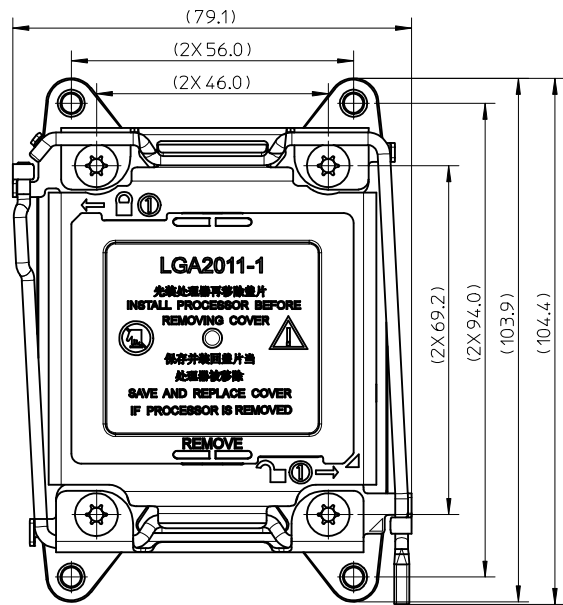
LEVER LOCK AND UNLOCK POSITION REFERENCE ONLY



DETAIL 1

PROPOSED EC NO: SHZ015-0083 DRWN: YXZHENG 2012/07/24 CHKD: AYIN 2012/07/24 APPR: AYIN 2014/09/02	QUALITY SYMBOLS	GENERAL TOLERANCES (UNLESS SPECIFIED)	DIMENSION STYLE	SCALE	DESIGN UNITS	THIRD ANGLE PROJECTION
	$F_A = 0$ $F_G = 0$ $F_P = 0$	mm INCH 4 PLACES ± --- ± --- 3 PLACES ± --- ± --- 2 PLACES ± 0.2 ± --- 1 PLACE ± 0.3 ± --- 0 PLACE ± --- ± ---	MM ONLY	1:1	METRIC	
	DESCRIPTION	ANGULAR ± 3 °	DRAWN BY	DATE	TITLE	
	REV	DRAFT WHERE APPLICABLE MUST REMAIN WITHIN DIMENSIONS	YXZHENG	2012/07/24	ILM AND BACK PLATE DRAWING FOR LGA 2011-1 SOCKET R1(NARROW)	
1		SEE TABLE	CHECKED BY	DATE	molex	
			AYIN	2012/07/24	SD-105197-001	SHEET NO. 3 OF 3
			APPROVED BY	DATE		
			AYIN	2014/09/02		
			MATERIAL NO.	DOCUMENT NO.		
			SIZE	THIS DRAWING CONTAINS INFORMATION THAT IS PROPRIETARY TO MOLEX INCORPORATED AND SHOULD NOT BE USED WITHOUT WRITTEN PERMISSION		
			A3			

10 9 8 7 6 5 4 3 2 1



NOTES:
 ▲ DATE CODE
 ▲ DIMENSION A : ILM HEIGHT DEFINE

STATUS	HEIGHT
PER-ASSEMBLY	7.55±0.30
AFTER ASSEMBLY	7.23±0.30

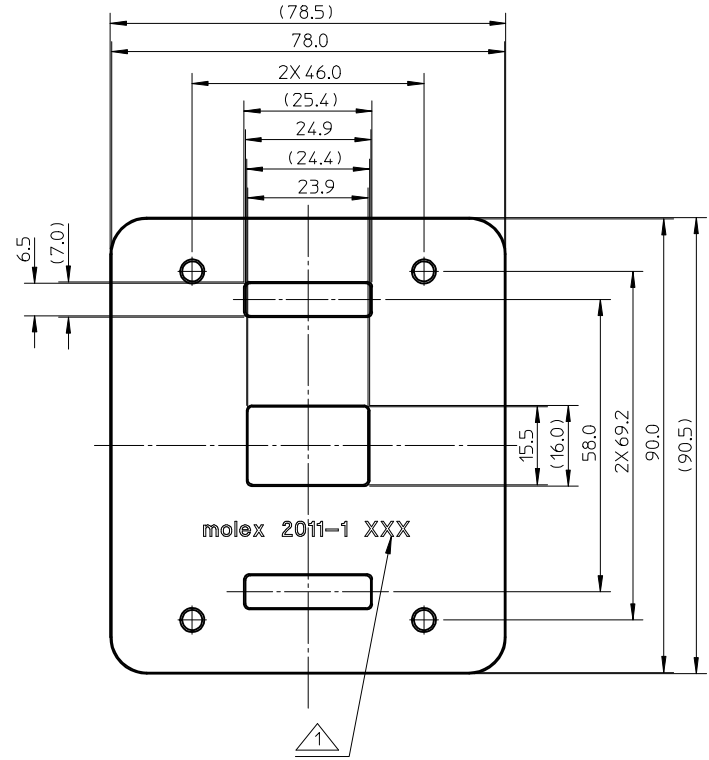
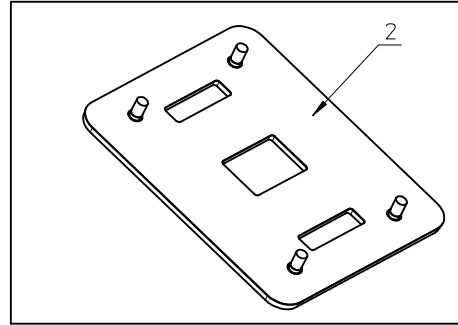
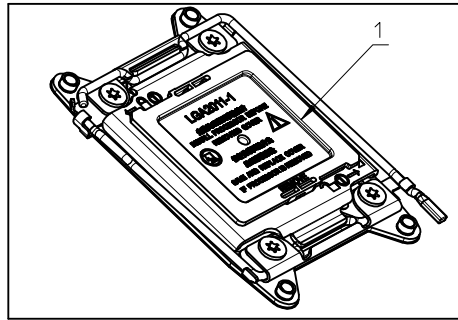
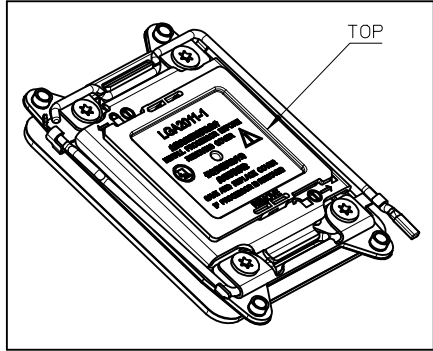
3.THE PARTS 105197**** COMPLIANT TO RoHS DIRECTIVE 2002/95/EC AND ELV 2000/53/EC.

TOP	COMPONENT				
	ITEM NO	Q'TY	PART NO.	DESCRIPTION	MATERIAL
LGA 2011-1 ILM ASSEMBLY (NARROW) PART NO: 105197-1000	1	4	105143-8001	CAPTIVE NUT, SHOULDER(ø6-32 THREAD)	STEEL WITH NICKEL PLATING
	2	1	105198-0001	ILM ACTIVE LEVER	STAINLESS STEEL
	3	4	105143-8003	ILM CAPTIVE NUT COLLAR, SHOULDER	STEEL WITH NICKEL PLATING
	4	1	105198-0002	ILM CLEVIS, ACTIVE	STAINLESS STEEL
	5	1	105198-0003	ILM CLEVIS, HINGE	STAINLESS STEEL
	6	1	105198-0005	ILM FRAME	STEEL WITH NICKEL PLATING
	7	1	105198-0006	ILM FRAME INSULATOR	HALOGEN FREE POLYCARBONATE SHEET
	8	1	105198-0007	ILM HINGE LEVER	STAINLESS STEEL
	9	4	105143-8010	ILM HS STUD (M4 X 0.7MM THREAD)	STEEL WITH NICKEL PLATING
	10	1	105198-0008	ILM LOADPLATE	STAINLESS STEEL
	11	4	105143-8012	ILM RIVET	STAINLESS STEEL
	12	1	105198-0009	ILM SILICON BUMPER	COHRLASTIC
	13	1	105198-0004	ILM COVER	POLYCARBONATE

PROPOSED EC NO: SH2015-0083 DRWN:YXZHENG CHKD:AYIN APPR:AYIN 2012/07/24 2012/07/24 2014/09/02	QUALITY SYMBOLS $F_{\Delta} = 0$ $F_{\square} = 0$ $F_{\nabla} = 0$	GENERAL TOLERANCES (UNLESS SPECIFIED)		DIMENSION STYLE MM ONLY		SCALE 1:1	DESIGN UNITS METRIC	THIRD ANGLE PROJECTION	
				DRAWN BY YXZHENG	DATE 2012/07/24	TITLE ILM AND BACK PLATE DRAWING FOR LGA 2011-1 SOCKET R1(NARROW)			
				CHECKED BY AYIN	DATE 2012/07/24	MATERIAL NO. SEE TABLE			
				APPROVED BY AYIN	DATE 2014/09/02	DOCUMENT NO. SD-105197-001	SHEET NO. 1 OF 3		

9 8 7 6 5 4 3 2 1

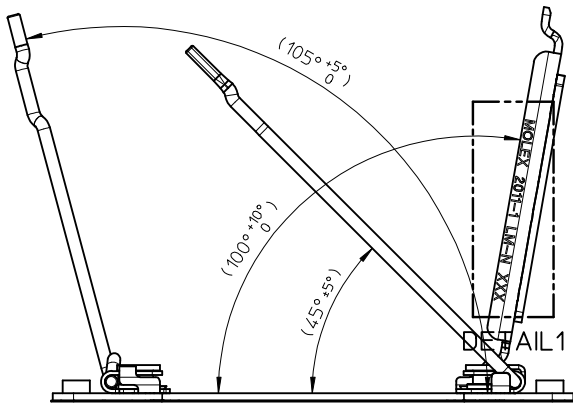
10 9 8 7 6 5 4 3 2 1



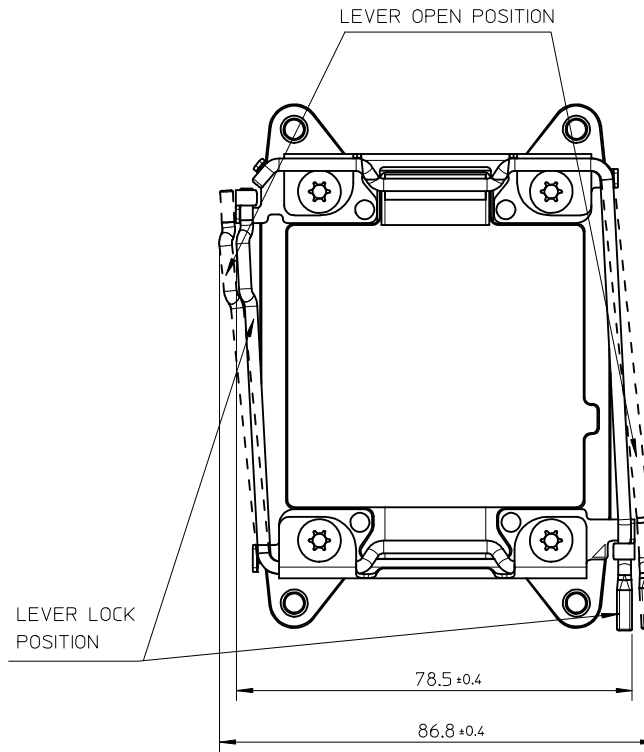
Q'T	ITEM NO	PART NO.	DESCRIPTION
1	TOP	105197-3000	LGA 2011-1 ILM ASSEMBLY WITH ILM COVER AND BACK PLATE ASSEMBLY
1	1	105197-1000	LGA2011-1 ILM ASSEMBLY WITH ILM COVER
1	2	105197-2000	LGA2011-1 BACK PLATE ASSEMBLY

PROPOSED EC NO: SHZ015-0083 DRWN: YXZHENG CHKD: AYIN APPR: AYIN	2012/07/24 2012/07/24 2014/09/02	DESCRIPTION QUALITY SYMBOLS $F_A=0$ $F_G=0$ $F_P=0$	GENERAL TOLERANCES (UNLESS SPECIFIED)		DIMENSION STYLE MM ONLY		SCALE 1:1	DESIGN UNITS METRIC	THIRD ANGLE PROJECTION	
				mm	INCH	DRAWN BY YXZHENG	DATE 2012/07/24	TITLE ILM AND BACK PLATE DRAWING FOR LGA 2011-1 SOCKET R1(NARROW) molex MATERIAL NO. SEE TABLE DOCUMENT NO. SD-105197-001 SHEET NO. 2 OF 3		
				4 PLACES	± --- ± ---	CHECKED BY AYIN	DATE 2012/07/24			
				3 PLACES	± --- ± ---	APPROVED BY AYIN	DATE 2014/09/02			
		2 PLACES	± 0.2 ± ---							
		1 PLACE	± 0.3 ± ---							
		0 PLACE	± --- ± ---							
			ANGULAR ± 3 °							
			DRAFT WHERE APPLICABLE MUST REMAIN WITHIN DIMENSIONS		SIZE A3		THIS DRAWING CONTAINS INFORMATION THAT IS PROPRIETARY TO MOLEX INCORPORATED AND SHOULD NOT BE USED WITHOUT WRITTEN PERMISSION			

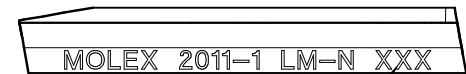
9 8 7 6 5 4 3 2 1



ILM OPEN ANGLE REFERENCE ONLY



LEVER LOCK AND UNLOCK POSOTION REFERENCE ONLY



DETAIL 1

PROPOSED EC NO: SHZ015-0083 DRWN: YXZHENG 2012/07/24 CHKD: AYIN 2012/07/24 APPR: AYIN 2014/09/02	QUALITY SYMBOLS $F_A=0$ $F_G=0$ $F_P=0$	GENERAL TOLERANCES (UNLESS SPECIFIED)		DIMENSION STYLE MM ONLY		SCALE 1:1	DESIGN UNITS METRIC	THIRD ANGLE PROJECTION		
			mm	INCH	DRAWN BY	DATE	TITLE ILM AND BACK PLATE DRAWING FOR LGA 2011-1 SOCKET R1(NARROW)			
		4 PLACES	± ---	± ---	YXZHENG	2012/07/24				
		3 PLACES	± ---	± ---	CHECKED BY	DATE	DOCUMENT NO. SD-105197-001			
2 PLACES	± 0.2	± ---	AYIN	2012/07/24						
1 PLACE	± 0.3	± ---	APPROVED BY	DATE	SHEET NO. 3 OF 3					
0 PLACE	± ---	± ---	AYIN	2014/09/02						
DRAFT WHERE APPLICABLE MUST REMAIN WITHIN DIMENSIONS		ANGULAR ± 3 °		MATERIAL NO. SEE TABLE		THIS DRAWING CONTAINS INFORMATION THAT IS PROPRIETARY TO MOLEX INCORPORATED AND SHOULD NOT BE USED WITHOUT WRITTEN PERMISSION				