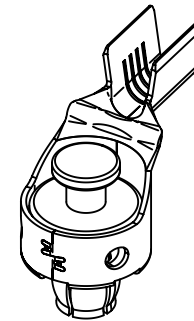
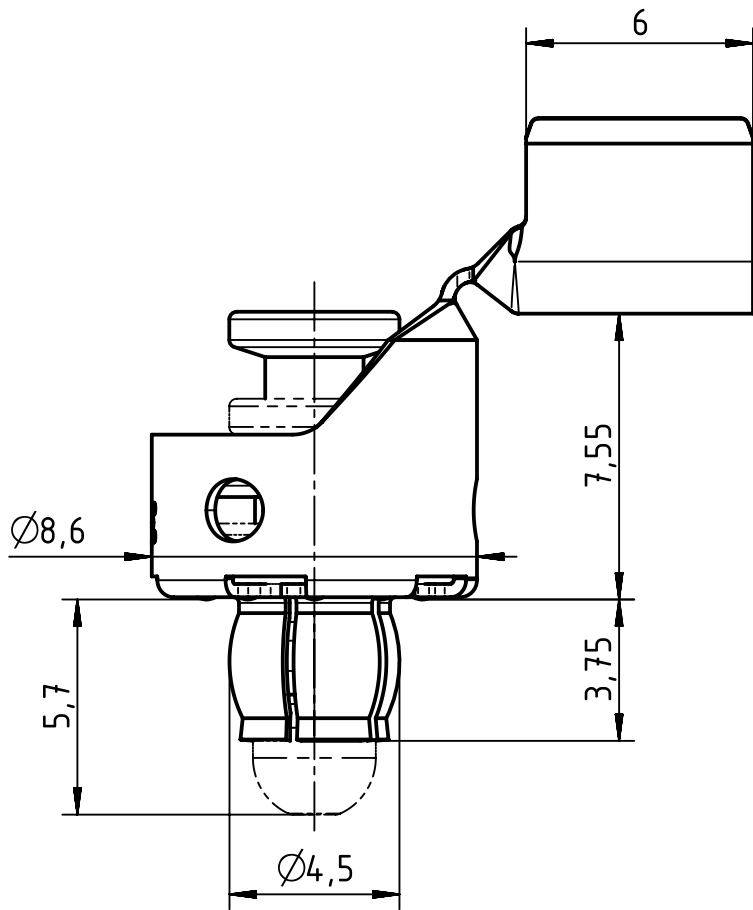
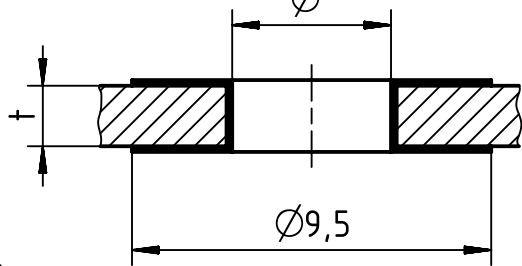


t	∅
1,6-3,2	4,4 <sup>+0,05</sup> <sub>-0,04</sub>

PCB lay-out

finished hole



	All rights reserved Department EL PD HARTING Electric GmbH & Co. KG D-32339 Espelkamp	All Dimensions in mm Original Size DIN A4	Scale 5:1	Free size tol.		Ref.
		Created by DEIMEL	Inspected by SCHNIEDER	Standardisation TIEMANNA	Date 2016-03-30	State Final Release
Title Han Fast-Lock 4-6qmm ang.silverplat.+pin						Doc-Key / ECM-Nr. 100595860/UGD/001/B 500000102451
Type TB		Number 09 08 000 7223			Rev. B	Page 1/1