

**NOTES:**

**1. MATERIAL:**

HOUSING: LCP GLASS FILLED UL 94-V0, COLOUR BLACK,  
 TERMINAL: COPPER ALLOY PLATED WITH:  
 BASE FINISH: NICKEL  
 CONTACT SURFACE FINISH:  
 GOLD,  
 OR  
 GOLD FLASH OVER PALLADIUM NICKEL.  
 EXCEEDS PRODUCT REQUIREMENTS BASED ON PS-85513-002

**2. JACK FOR MATING WITH IEC 60603-7 AND TIA-1096-A PLUGS (MOLEX 90075 SERIES).**

**3. PRODUCT SPECIFICATION: PS-85513-002.**

**4. PACKAGING SPECIFICATION (SEE CHART SHEET2):**

PK-85513-001 SHEET 3 (BLISTER ON REEL 13")

PK-85133-001 SHEET 1 (BLISTER ON REEL 15")

PK-85513-001 SHEET 2 (BLISTER ON REEL 22")

**5. FLAT SURFACE ON BOTH SIDES FOR PICK AND PLACE PURPOSE**

**6. COPLANARITY OF LEADS AND TABS: 0.10 MAX**

**7. SEE RECOMMENDED PCB LAYOUT ON SHEET 2**

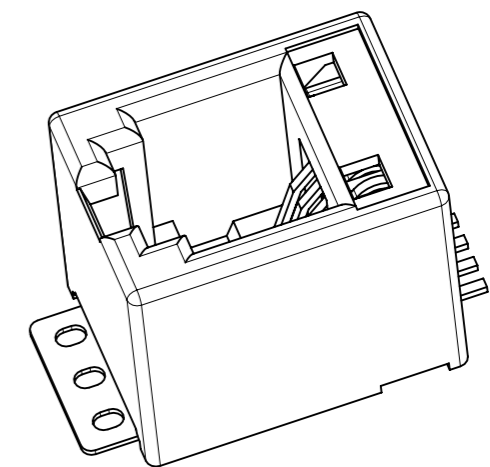
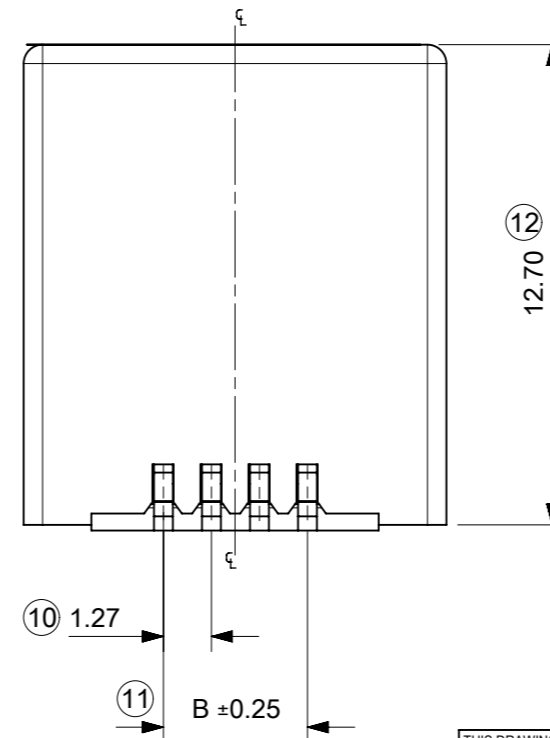
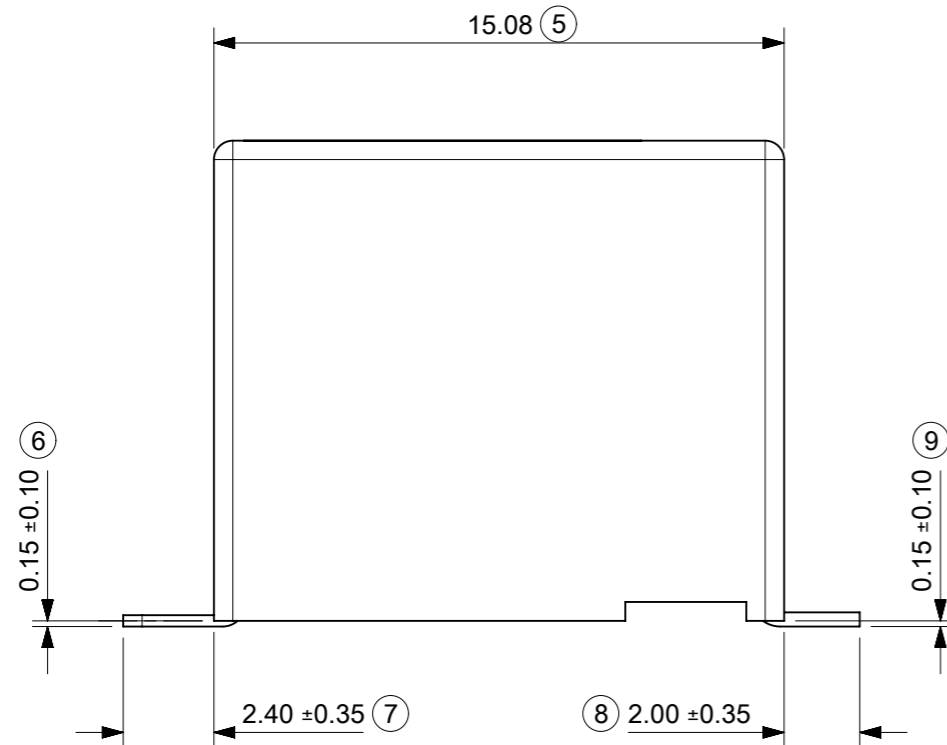
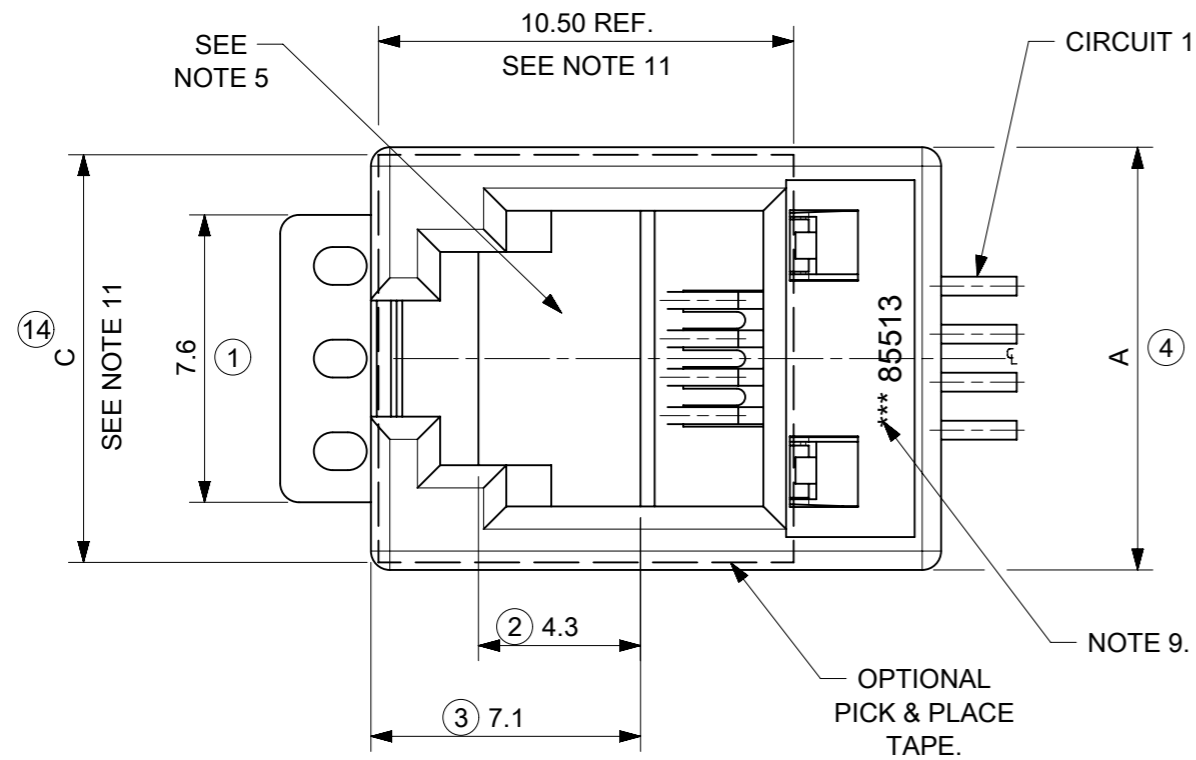
**8. FOR DRAWING PURPOSE, ONLY 4/4 VERSION SHOWN.**

**9. MANUFACTURING I.D CAN BE EITHER MXF, MG, MXI OR MXCH.**

**10. APPLICATION SPEC AS-85513-001**

**11. OPTIONAL PICK & PLACE TAPE**

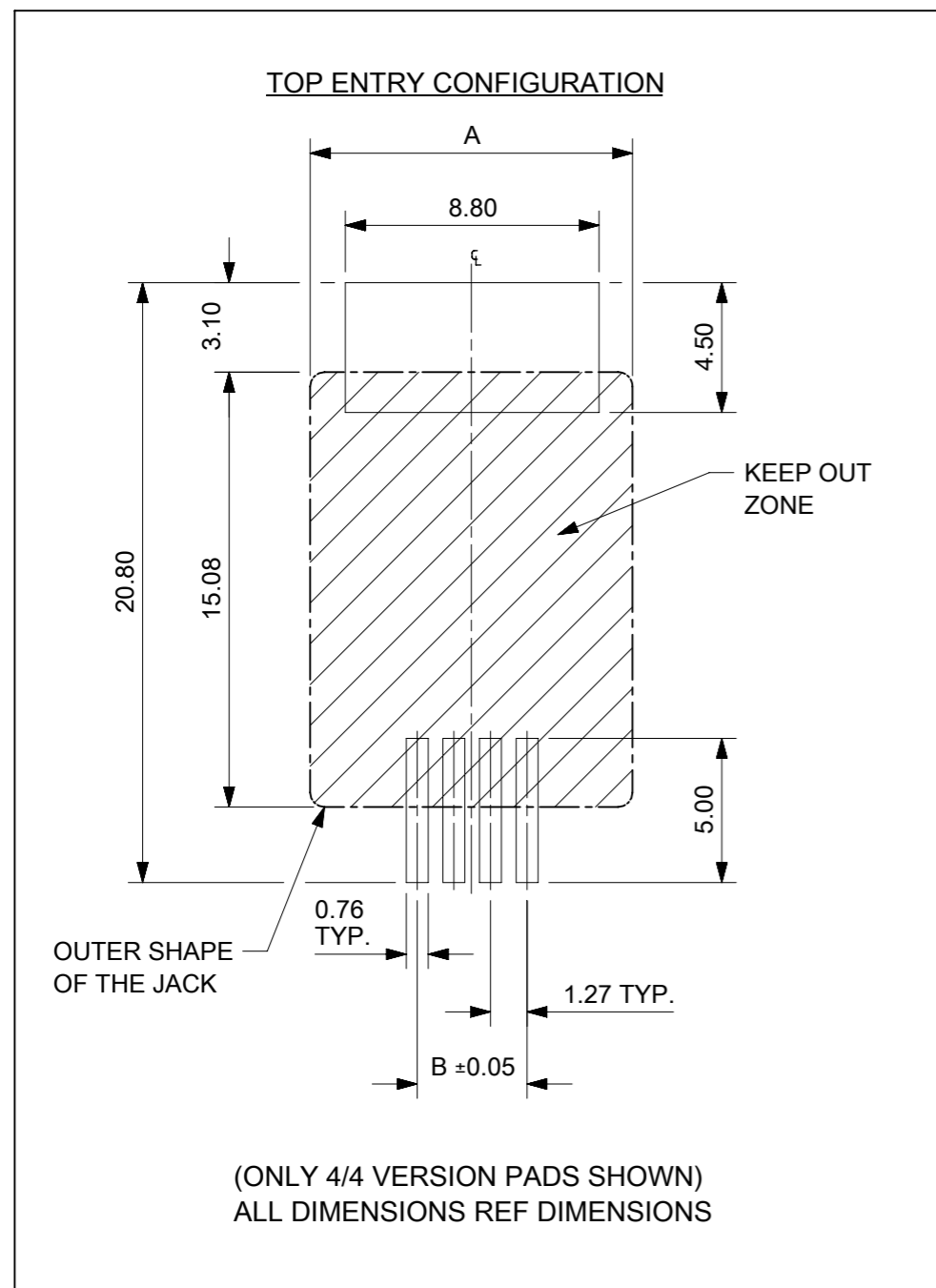
LAST INSPECTION NO.: 14



ISOMETRIC VIEW  
(NOT SCALED)

THIS DRAWING CONTAINS INFORMATION THAT IS PROPRIETARY TO MOLEX ELECTRONIC TECHNOLOGIES, LLC AND SHOULD NOT BE USED WITHOUT WRITTEN PERMISSION									
DIMENSION UNITS	SCALE	CURRENT REV DESC: REMASTERED USING 3D MODELS							
mm	5:1								
GENERAL TOLERANCES (UNLESS SPECIFIED)									
ANGULAR TOL ± 2.0°		EC NO: 686842 DRWN: AKUMAR19 2021/08/11 CHK'D: KLANG 2022/01/17 APPR: KLANG 2022/01/17							
4 PLACES ±		INITIAL REVISION: DRWN: DBYRNES 2006/08/21 APPR: EOMAHONY 2006/09/07							
3 PLACES ±		DOCUMENT NUMBER: SD-85513-010 DOC TYPE: PSD DOC PART: 001 REVISION: H3							
2 PLACES ± 0.15		MATERIAL NUMBER: SEE CHART CUSTOMER: GENERAL MARKET							
1 PLACE ± 0.25		SHEET NUMBER: 1 OF 2							
0 PLACES ±		DRAFT WHERE APPLICABLE MUST REMAIN WITHIN DIMENSIONS							
THIRD ANGLE PROJECTION		DRAWING		SERIES		MATERIAL NUMBER		CUSTOMER	
		A3-SIZE		85513		SEE CHART		GENERAL MARKET	

RECOMMENDED PCB LAYOUTS  
(SEE FROM COMPONENT SIDE)



PART NO.	PICK & PLACE TAPE	HOUSING SIZE	LOADED CKTS	TOOLED	A	B	C	PACKAGING	PACKAGING SPEC.
85513-5013	NO	8	8	YES	15.24	8.89	14.40 +2 -4	BLISTER ON REEL 13"	PK-85513-001 SHEET 3
85513-5113	YES			YES				BLISTER ON REEL 15"	PK-85513-001 SHEET 1
85513-5001	NO			YES				BLISTER ON REEL 22"	PK-85513-001 SHEET 2
85513-5009	NO	6	6	YES	13.21	6.35	12.40 +2 -4	BLISTER ON REEL 13"	PK-85513-001 SHEET 3
85513-5109	YES			YES				BLISTER ON REEL 15"	PK-85513-001 SHEET 1
85513-5014	NO			YES				BLISTER ON REEL 22"	PK-85513-001 SHEET 2
85513-5114	YES	6	6	YES	13.21	6.35	12.40 +2 -4	BLISTER ON REEL 13"	PK-85513-001 SHEET 3
85513-5002	NO			YES				BLISTER ON REEL 15"	PK-85513-001 SHEET 1
85513-5010	NO			YES				BLISTER ON REEL 22"	PK-85513-001 SHEET 2
85513-5015	NO	6	4	YES	13.21	3.81	12.40 +2 -4	BLISTER ON REEL 13"	PK-85513-001 SHEET 3
85513-5115	YES			YES				BLISTER ON REEL 13"	PK-85513-001 SHEET 3
85513-5016	NO			YES				BLISTER ON REEL 13"	PK-85513-001 SHEET 3
85513-5116	YES	4	4	YES	11.18	3.81	10.40 +4 -2	BLISTER ON REEL 13"	PK-85513-001 SHEET 3
85513-5004	NO			YES				BLISTER ON REEL 15"	PK-85513-001 SHEET 1
85513-5012	NO			YES				BLISTER ON REEL 22"	PK-85513-001 SHEET 2

THIS DRAWING CONTAINS INFORMATION THAT IS PROPRIETARY TO MOLEX ELECTRONIC TECHNOLOGIES, LLC AND SHOULD NOT BE USED WITHOUT WRITTEN PERMISSION

DIMENSION UNITS <b>mm</b>	SCALE <b>1:1</b>	CURRENT REV DESC: REMASTERED USING 3D MODELS			
GENERAL TOLERANCES (UNLESS SPECIFIED)		EC NO: 686842			
ANGULAR TOL ± 2.0°	4 PLACES ±	DRWN: AKUMAR19 2021/08/11	PRODUCT CUSTOMER DRAWING		
3 PLACES ±	2 PLACES ± 0.15	CHK'D: KLANG 2022/01/17	DOCUMENT NUMBER		
1 PLACE ± 0.25	0 PLACES ±	APPR: KLANG 2022/01/17	SD-85513-010		
DRAFT WHERE APPLICABLE MUST REMAIN WITHIN DIMENSIONS		INITIAL REVISION: DRWN: DBYRNES 2006/08/21 APPR: EOMAHONY 2006/09/07	DOC TYPE	DOC PART	REVISION
THIRD ANGLE PROJECTION		DRAWING	SERIES	MATERIAL NUMBER	CUSTOMER
		A3-SIZE	85513	SEE CHART	GENERAL MARKET
		SHEET NUMBER		2 OF 2	