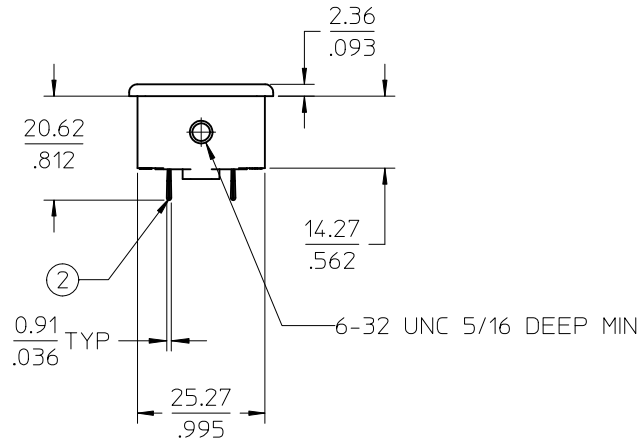
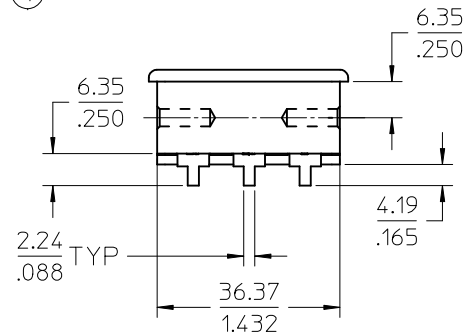
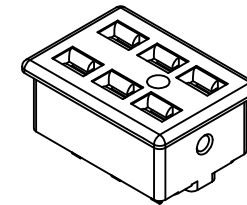
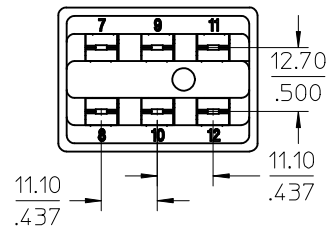
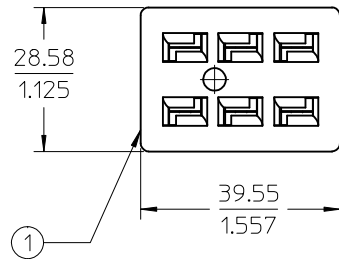


CONTACT WIRING SIDE



2	6	CONTACT S6 5400 SN/D	PHOS.BRONZE	TIN
1	1	BASE SOCKET 5406 MOGPP	PHENOLIC	BLACK
ITEM	QTY	DESCRIPTION	MATERIAL	FINISH

INITIAL RELEASE EC NO: WNA2010-0104 DRWNGES 2009/09/09 CHKD:CLYORK 2010/05/10 APPR:DTITUS 2010/07/12	DESCRIPTION REV A	QUALITY SYMBOLS ▽=0 ◻=0	GENERAL TOLERANCES (UNLESS SPECIFIED) mm INCH 4 PLACES ± --- ± --- 3 PLACES ± --- ± .015 2 PLACES ± 0.38 ± --- 1 PLACE ± --- ± --- ANGULAR ± 1/2°	DIMENSION STYLE MM/IN DRAWN BY CLYORK DATE 2009/08/27 CHECKED BY CLYORK DATE 2010/05/10 APPROVED BY RDEROSS DATE 2009/08/27	SCALE 1:1 DESIGN UNITS INCH THIRD ANGLE PROJECTION	TITLE SOCKET S6,LAB 5406 ASY
		DRAFT WHERE APPLICABLE MUST REMAIN WITHIN DIMENSIONS		MATERIAL NO. 385402606	DOCUMENT NO. SD-38540-008	SHEET NO. 1 OF 1
		THIS DRAWING CONTAINS INFORMATION THAT IS PROPRIETARY TO MOLEX INCORPORATED AND SHOULD NOT BE USED WITHOUT WRITTEN PERMISSION				
		MOLEX INCORPORATED				

NOTES:
1.ASSEMBLY IS ROHS COMPLIANT.