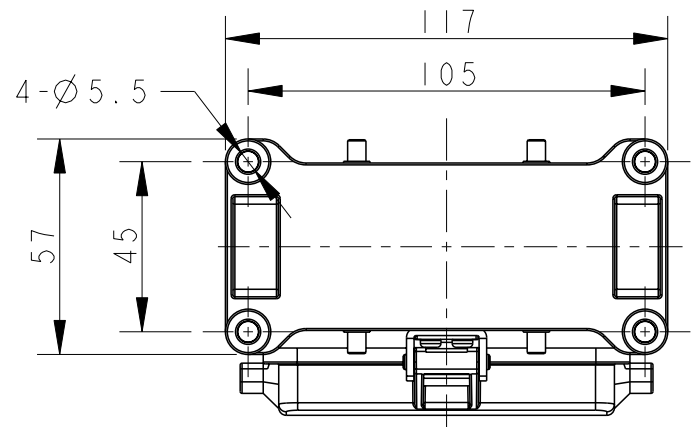
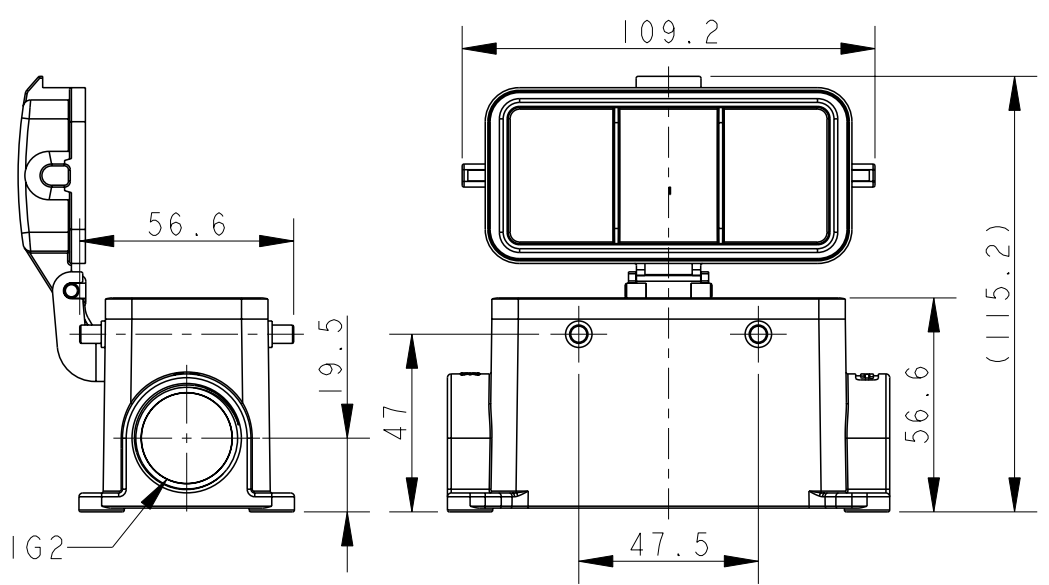
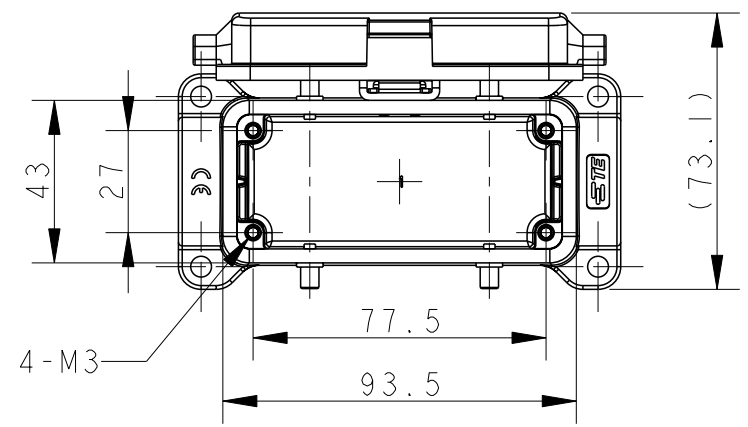


THIS DRAWING IS UNPUBLISHED. RELEASED FOR PUBLICATION 20  
 © COPYRIGHT 20 BY - ALL RIGHTS RESERVED.

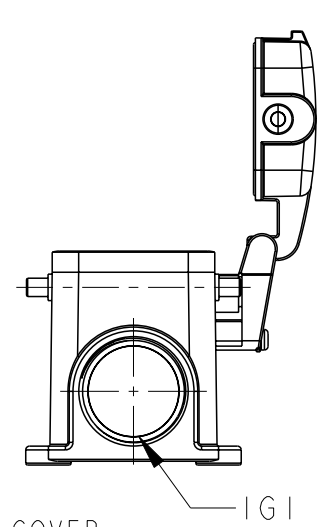
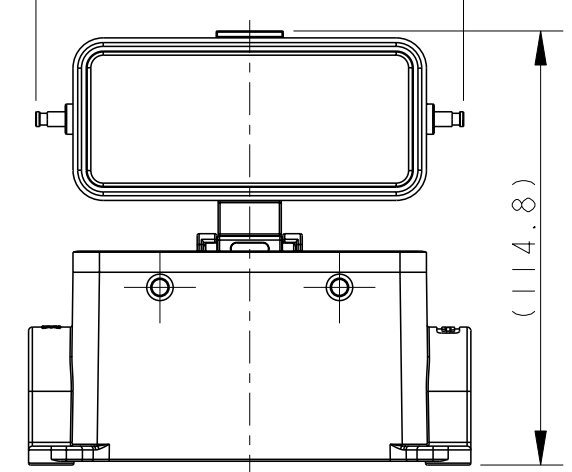
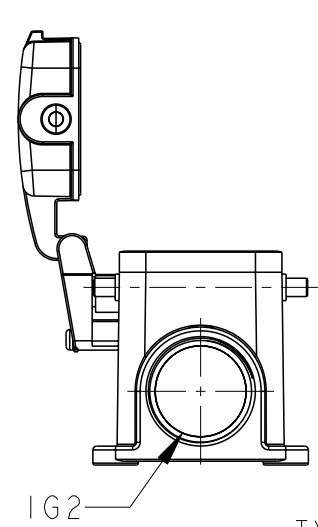
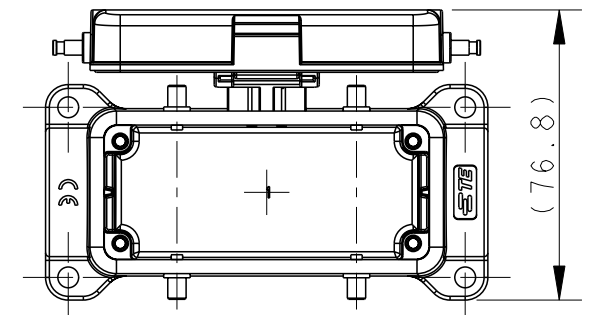
P	LTR	DESCRIPTION	DATE	DWN	APVD
	A	INITIAL RELEASE	06JUL2015	DL	CW
	B	ECR-20-008190	11SEP2020	WQR	CW



TYPE 1: BODY + 4 EAR + PLASTIC PROTECTION COVER

NOTES:  
 1. TECHNICAL CHARACTERISTICS:  
 BODY MATERIAL: DIE CAST ALUMINIUM ALLOY  
 SURFACE TREATMENT: POWDER-COATED, GRAY  
 DEGREE OF PROTECTION: IP65 (MATED)

注释:  
 1. 技术参数:  
 主体材料: 铝合金  
 表面处理: 粉末喷涂, 灰色  
 防护等级: IP65(配合)



TYPE 2: BODY + 4 EAR + METAL PROTECTION COVER  
 OTHER SPEC REFER TO TYPE 1

printed on 14 Apr 2021 13:29 (China Standard Time) from TE343646

T1460160121-000	TYPE 1	H16B-SDR-BO-PG21	PG21	-
T1460160125-000		H16B-SDR-BO-M25	M25	-
T1460160221-000		H16B-SDR-BO-2PG21	PG21	PG21
T1460160225-000		H16B-SDR-BO-2M25	M25	M25
T1460161121-000	TYPE 2	H16B-SDRM-BO-PG21	PG21	-
T1460161125-000		H16B-SDRM-BO-M25	M25	-
T1460161221-000		H16B-SDRM-BO-2PG21	PG21	PG21
T1460161225-000		H16B-SDRM-BO-2M25	M25	M25
ASSEMBLY PART NUMBER	TYPE	ASSEMBLY PART DESCRIPTION	IG1	IG2

THIS DRAWING IS A CONTROLLED DOCUMENT.		DWN 06JUL2015 DAVID LI	TE Connectivity NAME H16B-SDR/SDRM-BO-PG/M	
DIMENSIONS: mm		CHK 06JUL2015 CHRIS WANG		
TOLERANCES UNLESS OTHERWISE SPECIFIED:		APVD 06JUL2015 XU XIANG	PRODUCT SPEC 108-137013	
0 PLC ±- 1 PLC ±- 2 PLC ±- 3 PLC ±- 4 PLC ±- ANGLES ±-		APPLICATION SPEC 114-137013		SIZE A3
MATERIAL -		WEIGHT -		CAGE CODE -
FINISH -		CUSTOMER DRAWING		DRAWING NO. C-T146016XXXX000
		SCALE 1:2		SHEET 1 OF 1
				REV B