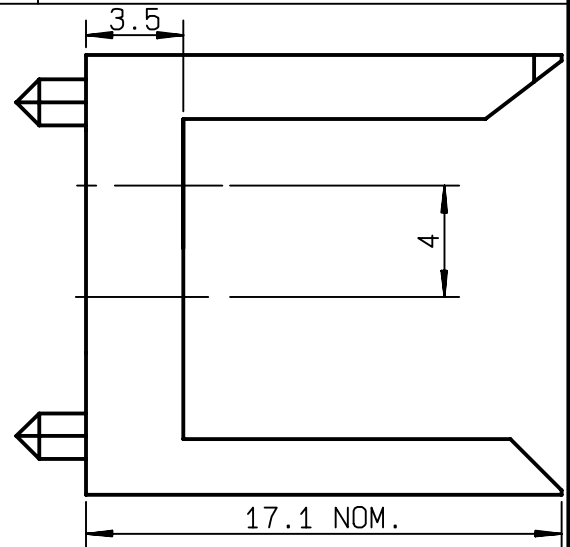
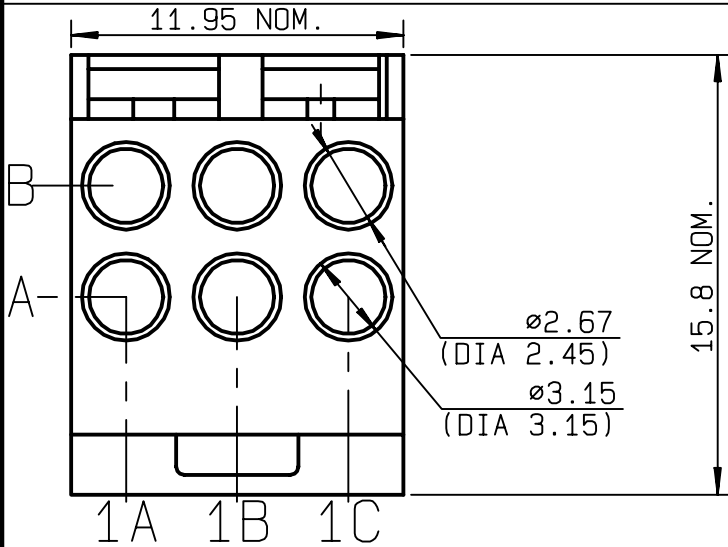


**STRAIGHT MALE HOUSING
FOR REMOVABLE INSERTS**

R694.261.906
SERIES MCC2



| | | |
|---------------------------------|-----------------|--------------------------|
| NOMINAL IMPEDANCE | NA | Ω |
| FREQUENCY RANGE | NA | GHz |
| TEMPERATURE RATING | -25/+125 | $^{\circ}\text{C}$ |
| V.S.W.R | NA + | x F(GHz)Maxi |
| RF INSERTION LOSS | NA | \sqrt{F} (GHz) dB Maxi |
| VOLTAGE RATING | NA | Veff Maxi |
| DIELECTRIC WITHSTANDING VOLTAGE | NA | Veff Mini |
| INSULATION RESISTANCE | NA | M Ω Mini |
| HERMETIC SEAL | MA | Atm.cm ³ /s |
| LEAKAGE (pressurized only) | NA | |
| MECHANICAL DURABILITY | | Cycles |
| WEIGHT | 1.22 | gr |
| SPECIFICATION | | |

CABLES :

OTHERS CHARACTERISTICS

| | | |
|----------------------------|-----------|-----------|
| CABLE RETENTION | NA | N Mini |
| CENTER CONTACT RETENTION | | |
| Axial force - mating end | NA | N Mini |
| Axial force - opposite end | NA | N Mini |
| Torque | NA | cm.N Mini |
| RECOMMENDED TORQUES | | |
| Mating | NA | cm.N |
| Panel nut | NA | cm.N |
| Clamp nut | NA | cm.N |

| | | | |
|------------------|------------------------|--------|---|
| CONNECTOR PARTS: | MATERIALS | FINISH | (all values are given) in micrometers |
| BODY | | | |
| OUTER CONTACT | | | |
| CENTER CONTACT | | | |
| INSULATOR | | | |
| GASKET | | | |
| OTHERS PIECES | LIQUID CRISTAL POLYMER | | |

| | | |
|----------------|-------------------|------------------|
| ISSUE | CREATION DATE | FILE PART-NUMBER |
| 0234A00 | 27/01/1997 | |



BAFFERT

The information given here is subject to change without notice.
Design changes may be in order to improve the product .

Connect to the future