

## Product Change Notice (PCN)

**Date:** 10/15/2019

**PCN Number:** PCN-0451320R-01

### To Our Customers:

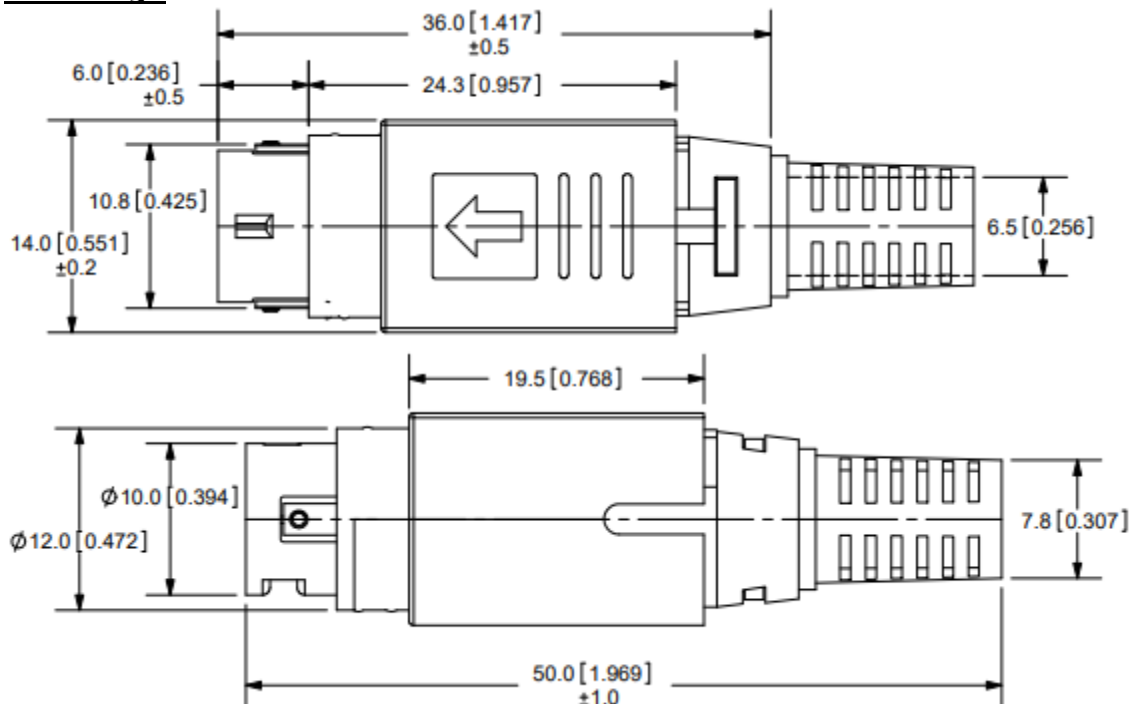
We appreciate your use of CUI Devices products. Our commitment in maintaining and improving processes is demonstrated by plans to enhance our product quality, reliability and manufacturability. The purpose of this notice is to inform you of a product change.

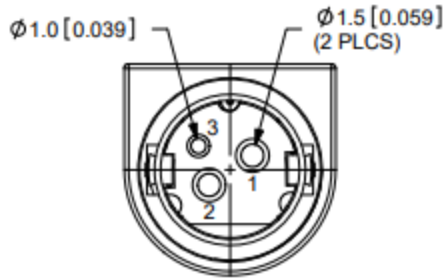
**Product(s) Affected:** PDP-30

**Reason(s) for Change:** manufacturing build location change.

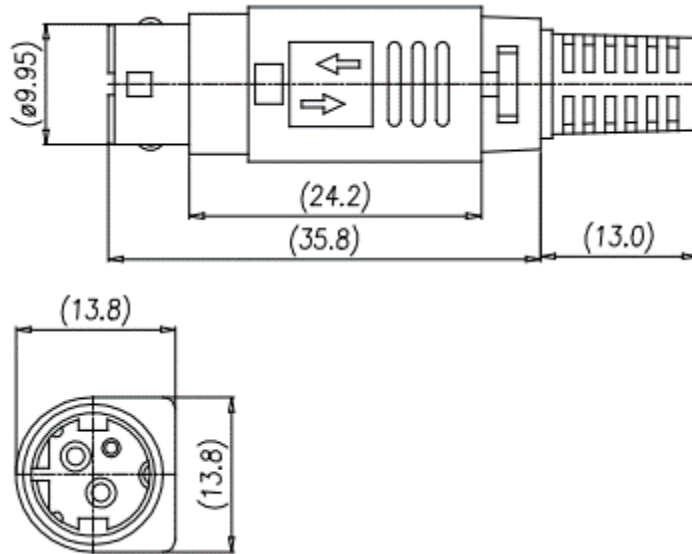
**Description of Change:** housing changes as shown below.

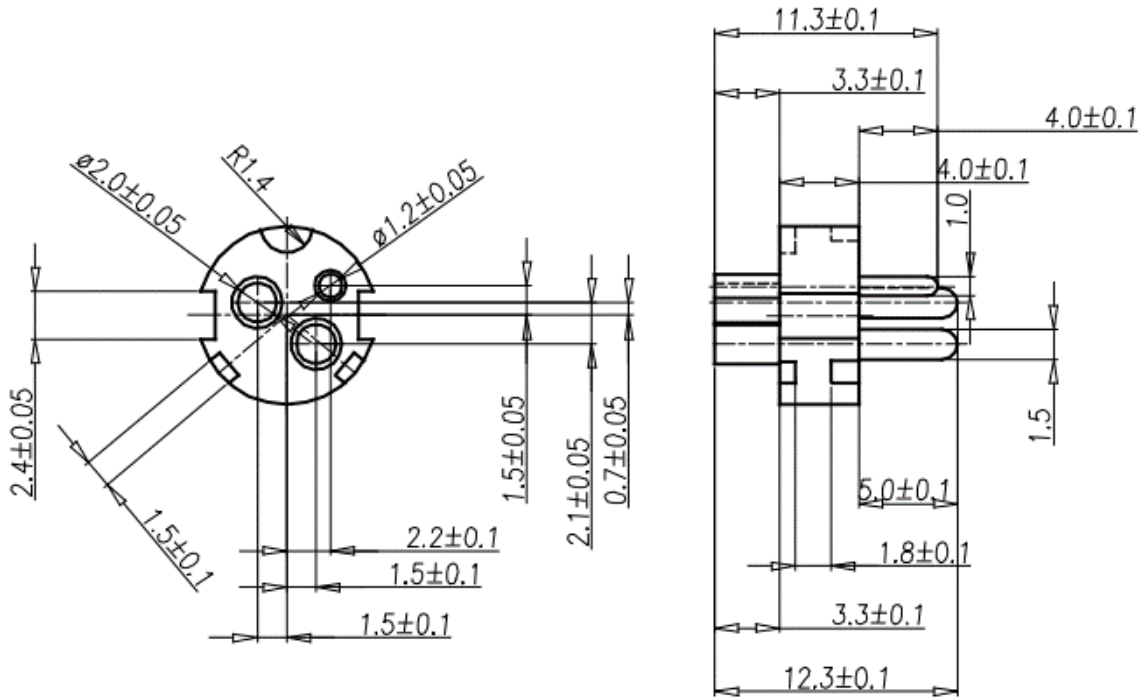
### Old Design





## New Design





**Affected Date Code:** 11/1/19

**Product Availability:** currently available

**Additional Information:** none

PCN Approval:

Operations/Quality

*Robert Davis*

Product Marketing

*RU*