

# Type LPS-01

## In-Line Fuse Holder

### Low Profile Mini Auto Blade Fuses

### Splashproof Type



www.optifuse.com (619) 593-5050

**Ratings:**

**Fuse Type:**

Low Profile Miniature Automotive Blade – APS, ANS series

**Electrical Rating:** 58VDC

**Temperature Rating:** -40° C to 85° C

**Body:** Nylon with Glass Fiber (UL94V-0)

**Contacts:** Brass

**IP Rating:** IP66

**Wire Type:** UL1015 rated to FT1 (VW1) – Stranded

**Wire Size:** #12 ~ 18 AWG

**Wire Color:** Red

**Body Color:** Black

**Wire Length:** 5 inches

Wire Gauge	Max. Amperage
#12	30A
#14	20A
#16	15A
#18	10A

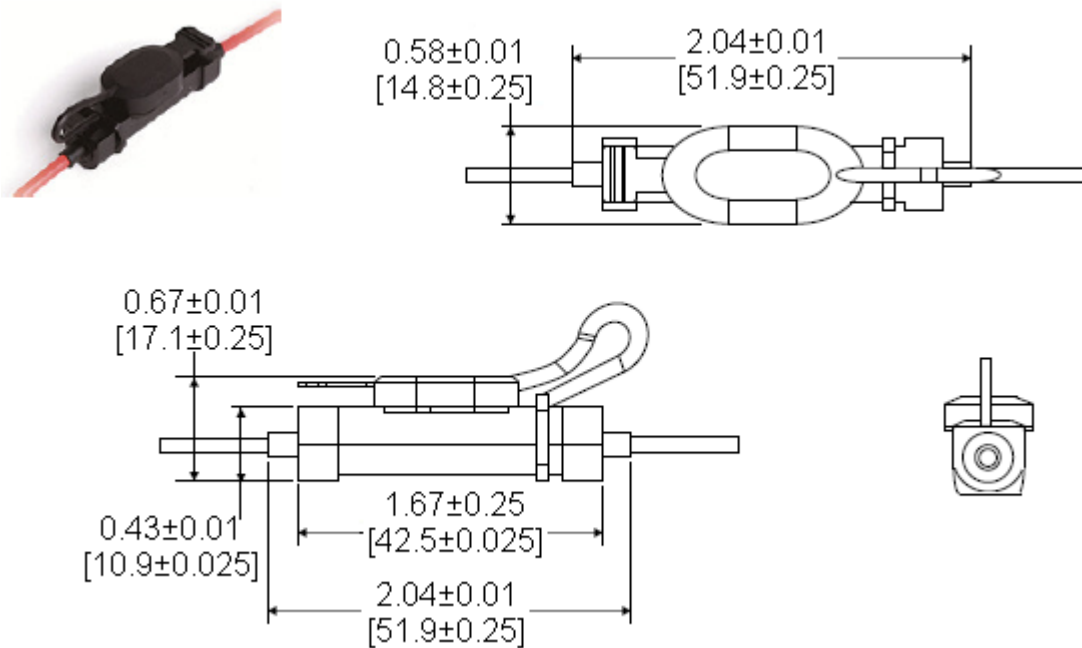
**Part number format**

**LPS-01B-##R**

Where

## = Wire Gauge

**Mechanical Dimensions: Inches [mm]**



**Warning:**



- Operation beyond the specified maximum ratings or improper use may result in damage and possible electrical arcing and/or flame.
- Avoid contact of device with chemical solvent. Prolonged contact may damage the device performance.
- Not designed for prolonged liquid exposure or submersible applications.