



Main

Range of Product	Harmony iPC
Product or Component Type	Multi-touch screen
Processor name	Intel Core i3 4010U 1.7 GHz
Free slots	1 Internal SATA HDD/SSD
Display size	18.5 inch
Display colour	16777216 colors
Luminance	27.87 fc (300 cd/m ²)
Pixel resolution	4096 x 4096
Operating system	Windows 10 IoT Enterprise 64 bit multi-language
Software package	EcoStruxure secure connect advisor annual subscription cyber security license not included EcoStruxure Operator Terminal Expert run time HMI license not included EcoStruxure machine SCADA expert run time HMI/SCADA on configured offer only EcoStruxure augmented operator advisor server augmented operator license not included Vijeo Citect DVD SCADA license not included

Complementary

Number of points	5
Terminal type	Touchscreen display
Data storage equipment	128 GB back side SSD 1500000 h
Aspect ratio	16:9
Display Type	LED Colour TFT LCD
Display Resolution	1366 x 768 pixels WXGA
Backlight lifespan	50000 hours
View angle horizontal x vertical	160 x 170°
Touch panel	Multi-touch projected capacitive technology (PCT)
Memory type	8 GB RAM DDR3 internal
Type of cooling	Fanless Passive
Watchdog timer	1...255 ms
Integrated connection type	1 RS232 - M12 male <= 115.2 kbits/s) 1 USB 2.0 type A - M12 female 1.5/12/480 Mbit/s) 2 Ethernet port - M12 female 10/100/1000 Mbit/s)
Number of slots	1 mini PCI Express full-size
[Us] rated supply voltage	24 V DC +/- 20 % power supply
Power consumption in W	28...60 W
Mechanical robustness	Hardness anti-scratch 7H
Local signalling	Buzzer For on LED (green) For stand-by LED (orange)
Function Available	Operate with water on screen
Width	19.21 in (488 mm)
Height	12.17 in (309 mm)
Depth	2.56 in (65 mm)
Net Weight	17.64 lb(US) (8 kg)
Main type	Performance

The information provided in this documentation contains general descriptions and/or technical characteristics of the performance of the products contained herein. This documentation is not intended as a substitute for and is not to be used for determining suitability or reliability of these products for specific user applications. It is the duty of any such user or integrator to perform the appropriate and complete risk analysis, evaluation and testing of the products with respect to the relevant specific application or use thereof. Neither Schneider Electric Industries SAS nor any of its affiliates or subsidiaries shall be responsible or liable for misuse of the information contained herein.

Environment

IP degree of protection	All sides IP65
Product certifications	CE C-tick AS/NZS CCC EAC RCM
Standards	CISPR 11 CSA C22.2 No. 60950 FCC Part 15 class A IEC 60950 IEC 61000-6-2 IEC 61000-6-4 UL 60950
Directives	2004/108/EC - electromagnetic compatibility 2006/95/EC - low voltage directive
Pollution degree	2
Ambient air temperature for operation	32...131 °F (0...55 °C) SSD 32...113 °F (0...45 °C) HDD
Ambient air temperature for storage	-4...140 °F (-20...60 °C)
Relative Humidity	10...95 % non-condensing
Operating altitude	6561.68 ft (2000 m)
Vibration resistance	1 gn 5...500 Hz) HDD 2 gn 5...500 Hz) SSD

Ordering and shipping details

Category	22574-MAGELIS BOX PC AND PANEL PC
Discount Schedule	MC2
GTIN	3606480853326
Nbr. of units in pkg.	1
Package weight(Lbs)	15.65 lb(US) (7.1 kg)
Returnability	No
Country of origin	US

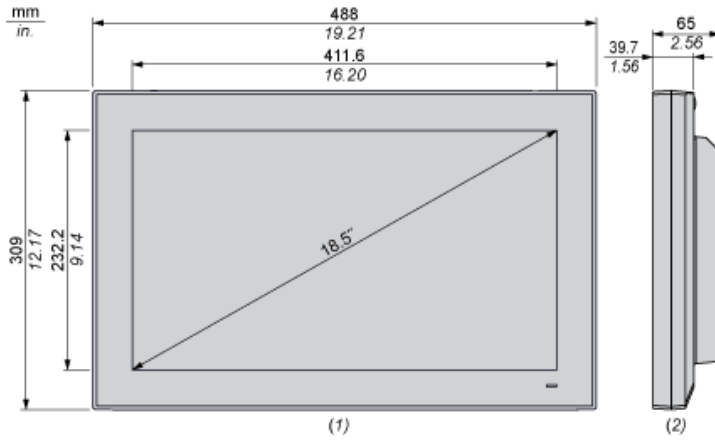
Packing Units

Unit Type of Package 1	PCE
Package 1 Height	2.24 in (5.7 cm)
Package 1 width	12.20 in (31 cm)
Package 1 Length	19.21 in (48.8 cm)
Unit Type of Package 2	CAR
Number of Units in Package 2	1
Package 2 Weight	20.06 lb(US) (9.1 kg)
Package 2 Height	20.87 in (53 cm)
Package 2 width	6.30 in (16 cm)
Package 2 Length	26.97 in (68.5 cm)
Unit Type of Package 3	P12
Number of Units in Package 3	2
Package 3 Weight	39.68 lb(US) (18.0 kg)
Package 3 Height	12.99 in (33 cm)
Package 3 width	31.50 in (80 cm)
Package 3 Length	47.24 in (120 cm)

Offer Sustainability

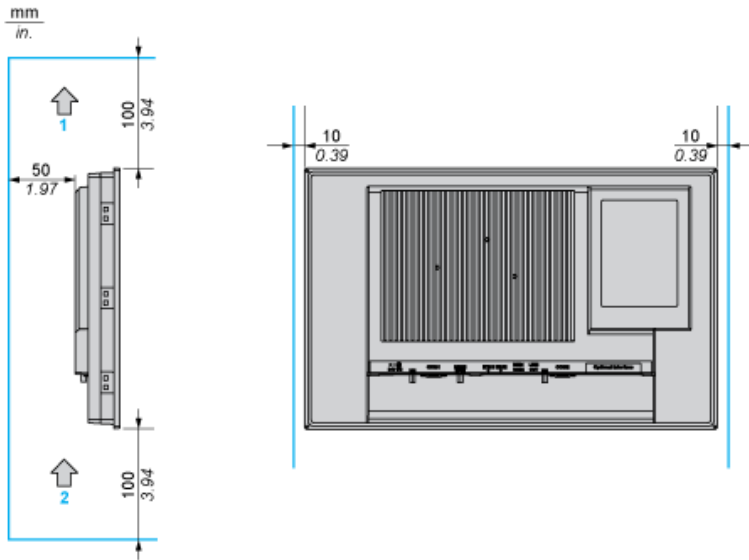
California proposition 65	WARNING: This product can expose you to chemicals including: Lead and lead compounds, which is known to the State of California to cause cancer and birth defects or other reproductive harm. For more information go to www.P65Warnings.ca.gov
EU RoHS Directive	Pro-active compliance (Product out of EU RoHS legal scope) EU RoHS Declaration
Mercury free	Yes
RoHS exemption information	Yes
China RoHS Regulation	China RoHS Declaration
WEEE	The product must be disposed on European Union markets following specific waste collection and never end up in rubbish bins.

Dimensions



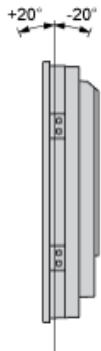
- (1) Front view
- (2) Right view

Spacing Requirements

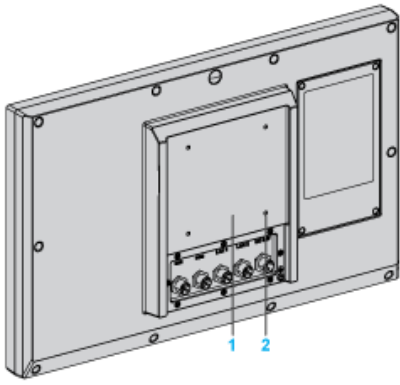


- 1 : Air out
- 2 : Air in

Mounting Orientation



VESA Mounting



- 1 : VESA plate position (size 100 x 100 mm)
- 2 : 4 x VESA mount screws for attachment

