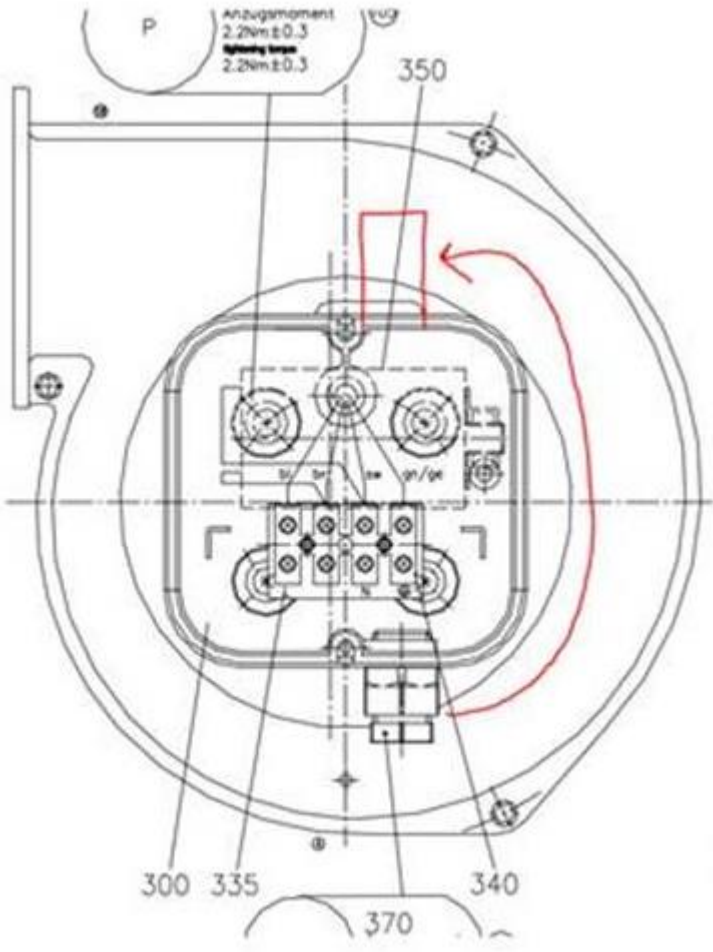


## Product Change Notice

Date:	November 26, 2019
Overview:	Terminal box rotation for two G2E120 series models
Reason for Change:	Due to standardization of our new terminal box design (which is used across several product lines), it was determined that the optimal positioning for two G2E120 models is to have the cable exit facing upward
Affected Part No(s):	G2E120-AR77-23, G2E120-AR77- 90
Design Change Detail:	The terminal box for PNs G2E120-AR77-23 and G2E120-AR77- 90 will be rotated 180° so the cable exit will face up instead of down
Effective Date:	All orders placed from today going forward will feature the new terminal box rotation design
Last Time Buy Deadline:	N/A
Pricing:	No change
ebm-papst employee:	Jeannine Zenobi
Attachments:	Drawing showing current vs new location of cable exit
Comments:	N/A



Form No: 1274	Quality Record - No	Page 1 of 1
Rev. - Orig, Released 08/28/14	Retention Period - 1 year	Dept. Owner - Sales/Marketing