



EPLSP-019-2000

EPLSP SERIES

(0.80 mm) .0315"

RUGGED LATCHING HIGH-SPEED SYSTEM

FEATURES

- Rugged external cable
- Small form factor
- Low profile latching
- Metal-to-metal two-piece contact system
- High mating cycles
- High cable flex life (500 cycles 180° bend)
- Small bend radius

SPECIFICATIONS

For complete specifications see www.samtec.com?EPLSP

Cable:
32 AWG Low Skew Pair/
28 AWG Power

Bend Radius:
(25.40 mm) 1.00"

Signal Routing:
100 Ω Differential

Pinout Map:
1:1 Map Standard
(See web address above for additional information)

Operating Temp Range:
-20 °C to +105 °C

Current Rating:
1.7 A per pin
(2 pins powered)

RoHS Compliant:
Yes

PROTOCOLS

- SAS
- SATA
- Fibre Channel
- Ethernet
- PCIe®
- InfiniBand™

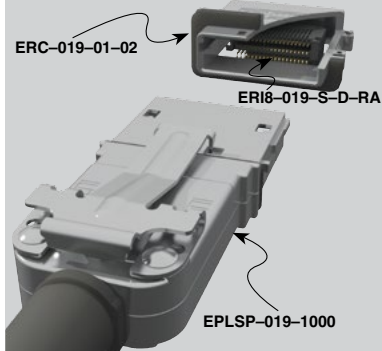
ALSO AVAILABLE (MOQ Required)

- Other lengths
- Contact Samtec.

Note:
This Series is non-standard,
non-returnable.

Mates with:
ERI8

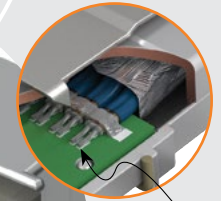
APPLICATION



Low-profile latching

High cycles

Metal-to-metal contact interface



32 AWG
Low Skew
Pair

**EDGE
RATE**
CONTACT

TYPE

NO. OF POSITIONS

LENGTH

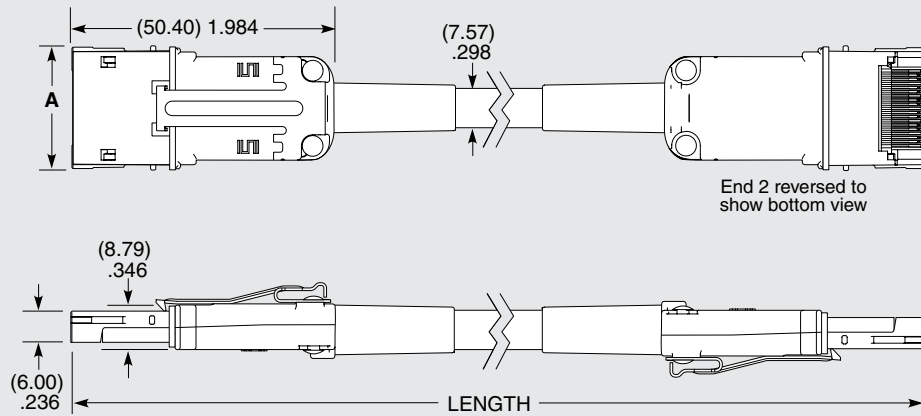
EPLSP
= Eye Speed® I/O Cable

-019
= 9 Pairs, 5 Power, 19 positions

-031
= 17 Pairs, 5 Power, 31 positions

- "XXXX"
= Length in millimeters
-1000, -2000, -3000
(Standard lengths)

NO. OF POSITIONS	A
-019	(23.85) .939
-031	(32.95) 1.30



Due to technical progress, all designs, specifications and components are subject to change without notice.

WWW.SAMTEC.COM

All parts within this catalog are built to Samtec's specifications.
Customer specific requirements must be approved by Samtec and identified in a Samtec customer-specific drawing to apply.