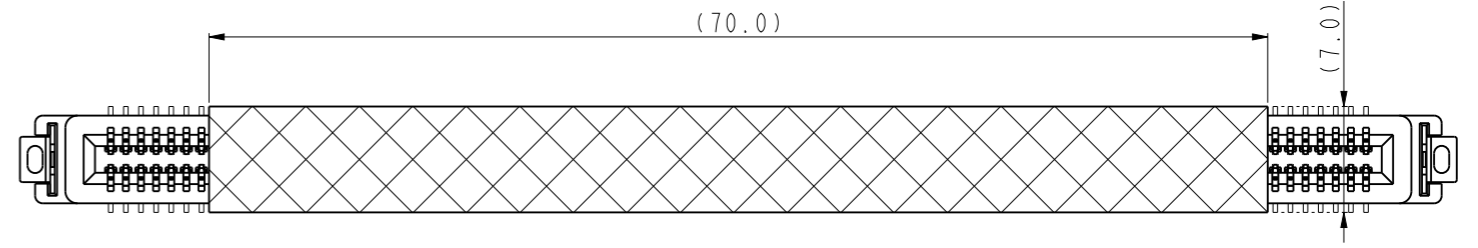
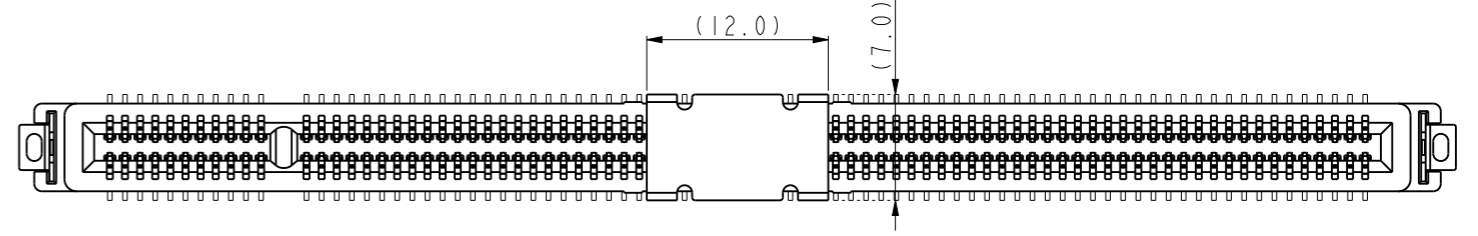


revision history				
rev	ecn no	description	dr	date
4	CD2021	UPDATE PLATING SPEC	JF	2020/05/30
5	CD2387	DETAILED THE PN SYSTEM	JF	2020/12/22
6	CD2675	UPDATE GOLD FINGER	JQ	2021/06/04

NOTE:

- MATERIAL:
HOUSING: HIGH TEMPERATURE THERMOPLASTIC; BLACK UL94V-0; HALOGEN FREE
CONTACT: COPPER ALLOY
BOARD LOCK: SPCC
- PLATING:
CONTACT: MATING AREA: SEE PN SYSTEM OVER 1.27-2.54UM NICKEL UNDERPLATED
SOLDER AREA: 2.54UM MIN TIN OVER 1.27-2.54UM NICKEL UNDERPLATED
BOARD LOCK: 2.54UM MIN TIN OVER 1.27-2.54UM NICKEL UNDERPLATED
- ELECTRICAL PERFORMANCE:
RATED CURRENT FOR SIGNAL PIN: 0.7A/PIN
RATED CURRENT FOR POWER PIN: 1.1A/PIN(A2/A3/A9/A10/B1/B2/B3/B8/, TOTAL 8PIN)
- MATERIAL IS COMPLIANT TO RoHS
- TRANSMISSION SPEED:
PCIe Gen4/16Gbps: OPEN PIN FIELD DESIGN
PCIe Gen5/32Gbps: CONFORM TO PCIe CEM SPECIFICATION
- ORDERING PART NUMBER: REFER TO THE PART NUMBER SYSTEM



PART NUMBER SYSTEM
CEE0164X014XXXX

PIN COUNT
164: 164PIN

PICK CAP & MYLAR
0: WITH CAP
1: WITH MYLAR

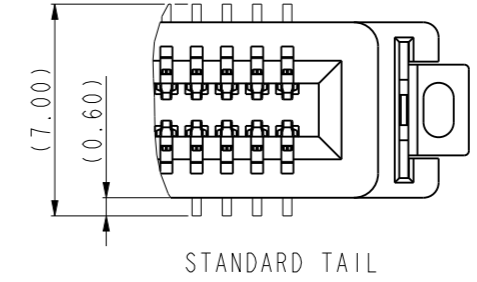
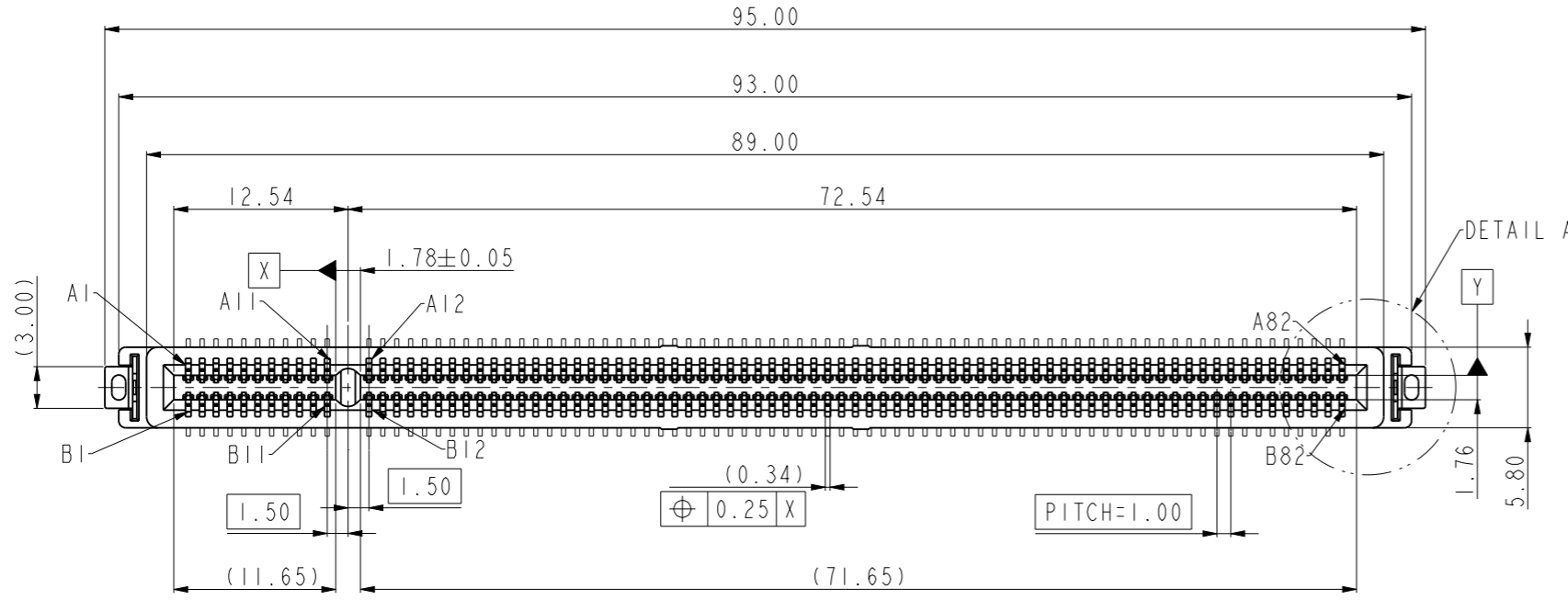
PACKING TRAY
0: BLISTER TRAY (330x230mm T=2mm)
1: BLISTER TRAY (330x120mm T=2mm)
2: BLISTER TRAY (260x165mm T=2mm)
3: INJECTION TRAY (320x136mm)

PLATING SPEC
1: Au 0.76UM(30u")
2: Au 0.38UM(15u")
3: Gold Flash
4: GXT

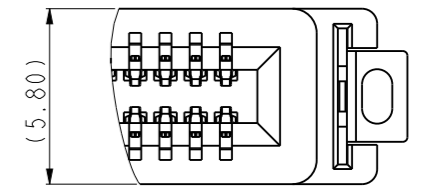
TRANSMISSION SPEED
0: PCIe Gen5/32Gbps
1: PCIe Gen4/16Gbps

SOLDER TAIL OPTION
2: STANDARD TAIL
3: SHORTER TAIL

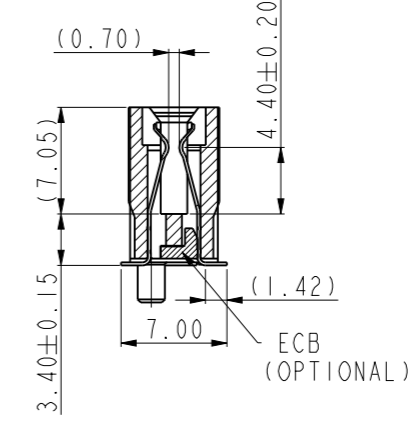
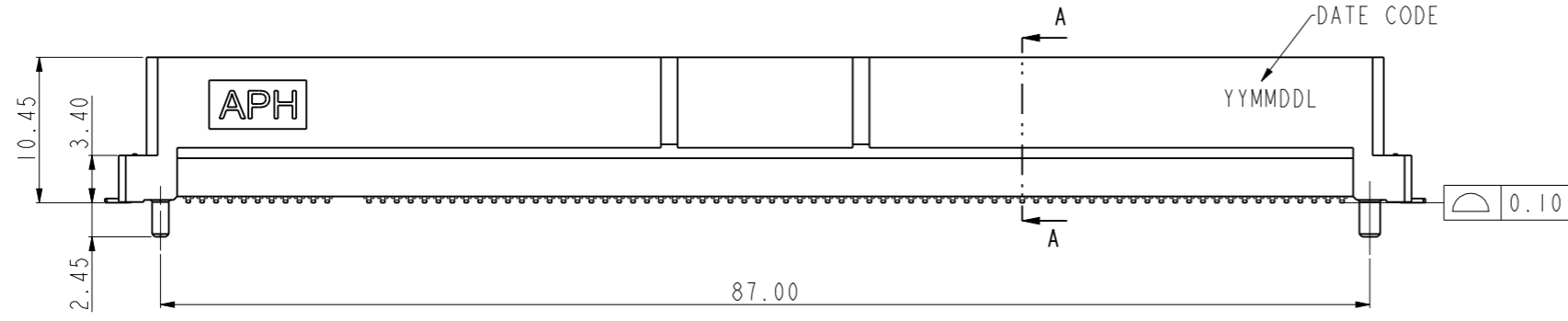
spec ref		dr	JERRY.OU	Jun. 04, 2021	<h2 style="margin: 0;">Amphenol</h2> <p style="margin: 0;">mm</p> <p style="margin: 0;">scale 1:1</p> <p style="margin: 0;">size A3</p>	ecn no	CD2675
tolerance std		eng	JERRY.OU	Jun. 04, 2021		rel level	RELEASED
TOLERANCES UNLESS OTHERWISE SPECIFIED surface <input checked="" type="checkbox"/> linear		r vwr				product family PCIe COOL EDGE PCIe COOL EDGE CONNECTOR 1.0mm PITCH, X16, Gen4 & Gen5	
		appr				cat. no. C CEE0164X014XXXX rev 6	
0.X ±0.25 0.XX ±0.20 0.XXX ±0.15 angular 0° ±5°		projection			sheet 1 of 5		



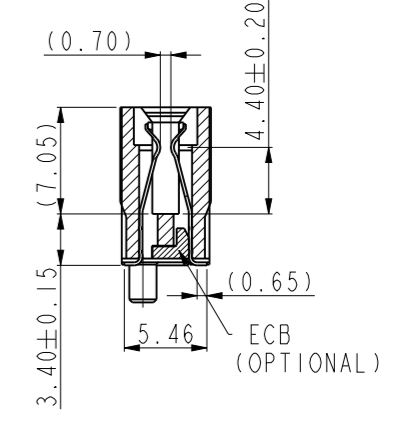
STANDARD TAIL
DETAIL A
SCALE 2:1



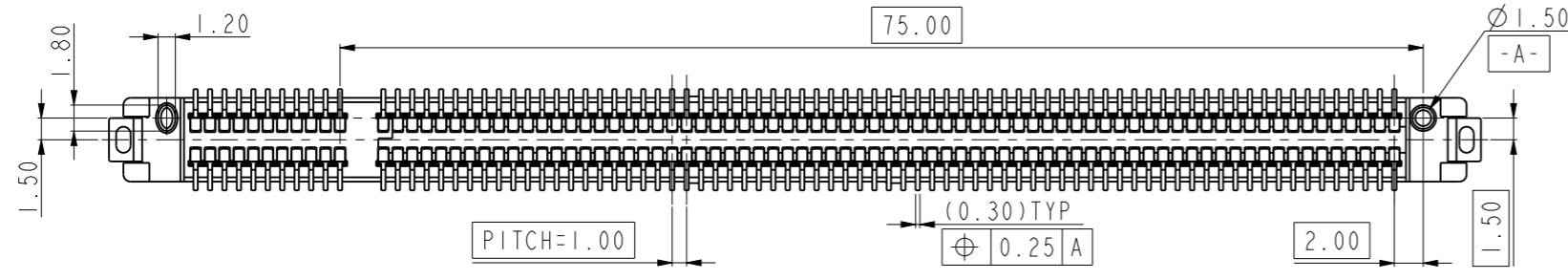
SHORTER TAIL
DETAIL A
SCALE 2:1



STANDARD TAIL
SECTION A-A



SHORTER TAIL
SECTION A-A



GND PIN DEFINITION
(REFER TO PCIe CEM SPEC)

SIDE A GND PIN	A12, A15, A18, A20, A23, A24, A27, A28, A31, A34, A37, A38, A41, A42, A45, A46, A49, A51, A54, A55, A58, A59, A62, A63, A66, A67, A70, A71, A74, A75, A78, A79, A82
SIDE B GND PIN	B13, B16, B18, B21, B22, B25, B26, B29, B32, B35, B36, B39, B40, B43, B44, B47, B49, B52, B53, B56, B57, B60, B61, B64, B65, B68, B69, B72, B73, B76, B77, B80

spec ref	dr	JERRY.OU	Jun. 04, 2021		scale	1:1	size	A3
tolerance std	eng	JERRY.OU	Jun. 04, 2021		ecn no	CD2675		
TOLERANCES UNLESS OTHERWISE SPECIFIED 0.X ±0.25 0.XX ±0.20 0.XXX ±0.15 angular 0° ±5°					rvwr	amphenol-icc.com rel level RELEASED		
					appr			
surface	linear	projection	PCIe COOL EDGE CONNECTOR 1.0mm PITCH, X16, Gen4 & Gen5		cat. no. C CEE0164X014XXXX	rev	6	

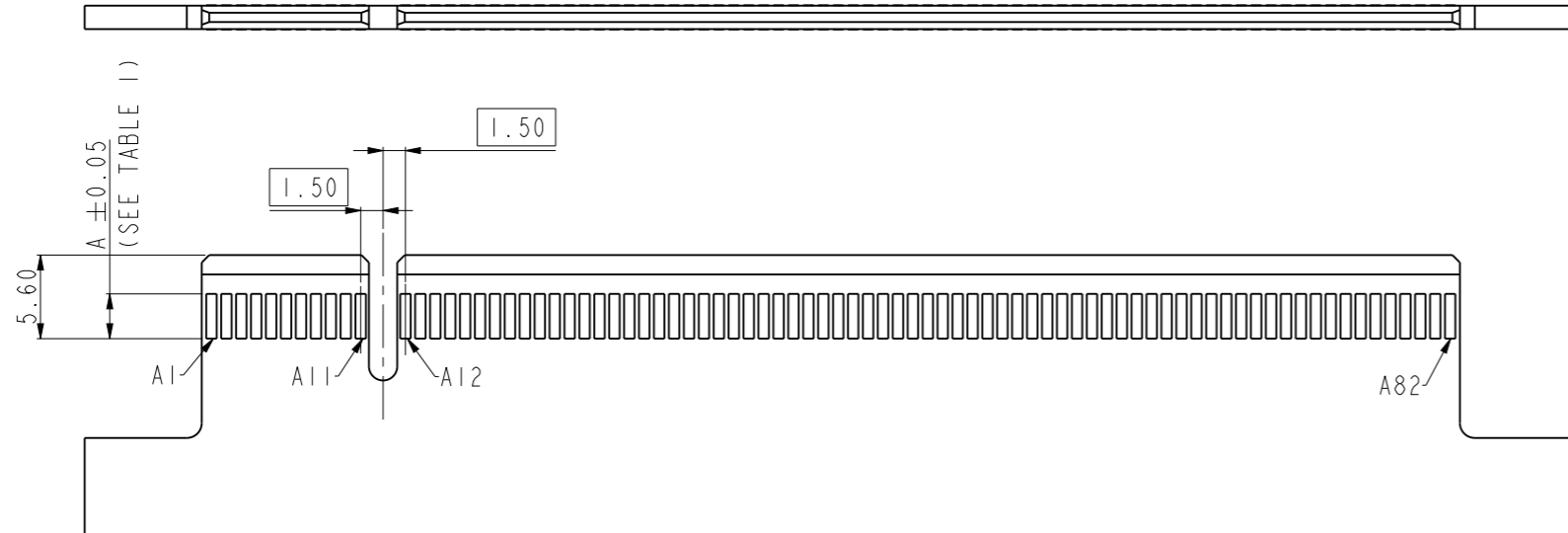
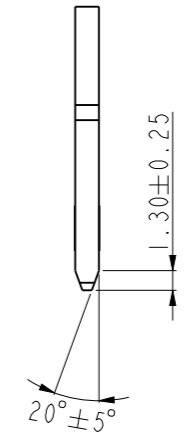
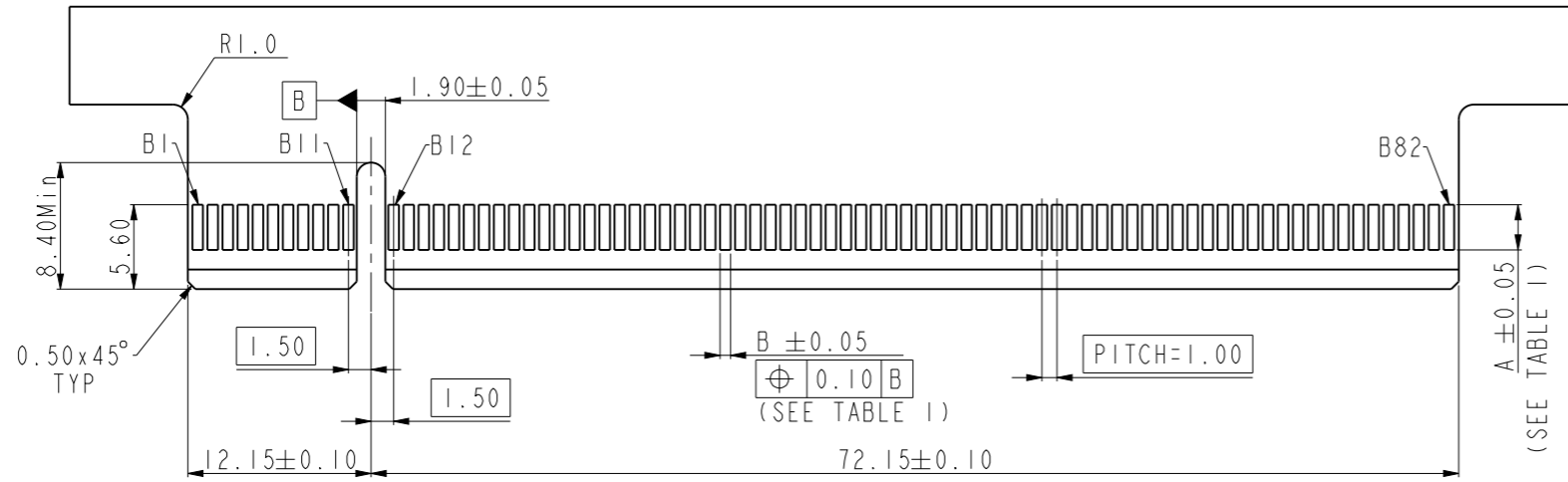
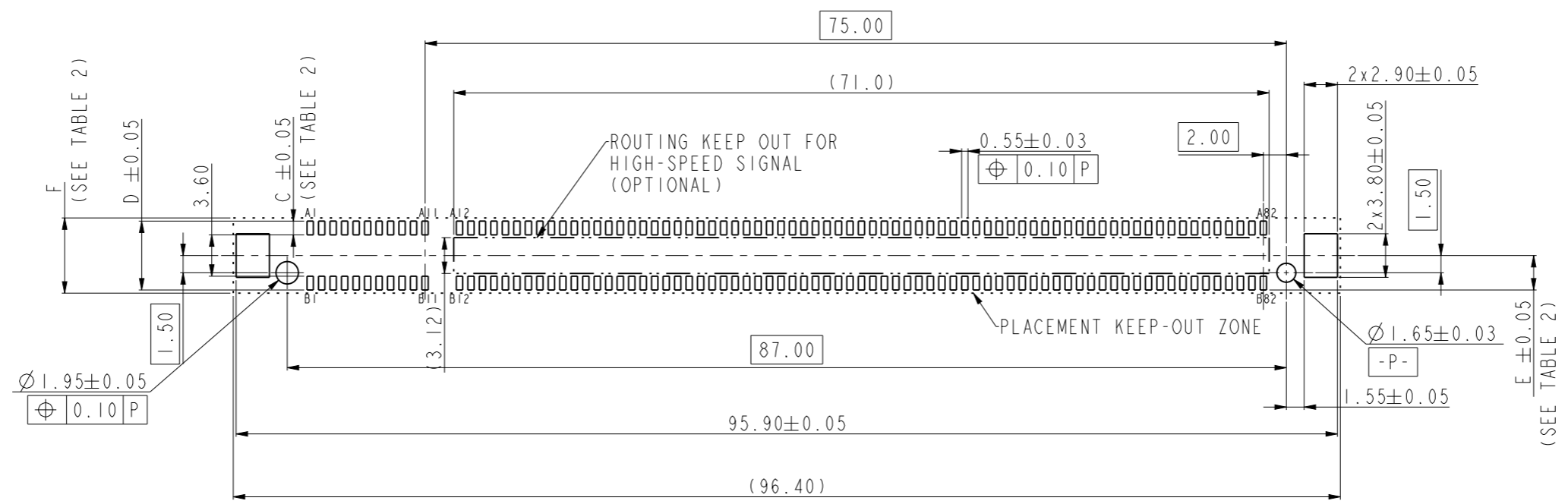


TABLE 1

ITEM/DIM	A (Gold Finger Length)	B (Gold Finger Width)
PCIe Gen4	3.91 ± 0.05 3.20 ± 0.05 (A1 and B81)	0.70 ± 0.05
PCIe Gen5	3.00 ± 0.05	0.60 ± 0.05

RECOMMENDED LAY OUT FOR MATING CARD, THICKNESS=1.57 ± 0.15mm
GENERAL TOLERANCE ± 0.05

spec ref		dr	JERRY.OU	Jun. 04, 2021	Amphenol	mm	scale	1:1	size	A3
tolerance std		eng	JERRY.OU	Jun. 04, 2021		ecn no	CD2675			
TOLERANCES UNLESS OTHERWISE SPECIFIED		rvwr				rel level	RELEASED			
surface	linear	0.X	±0.10	projection	title	PCIe COOL EDGE CONNECTOR	cat. no.	C CEE0164X014XXXX	rev	6
		0.XX	±0.05							
		0.XXX	±0.03							
	angular	0°	±5°		product family	PCIe COOL EDGE		sheet 3 of 5		

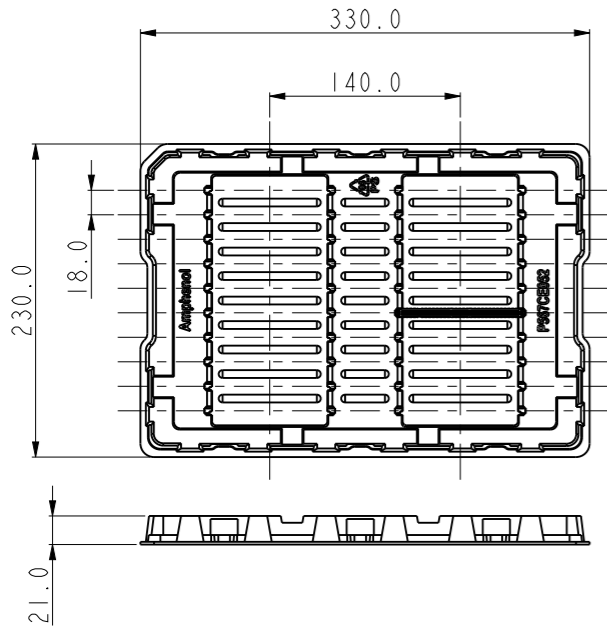


RECOMMENDED SOLDER PCB LAYOUT

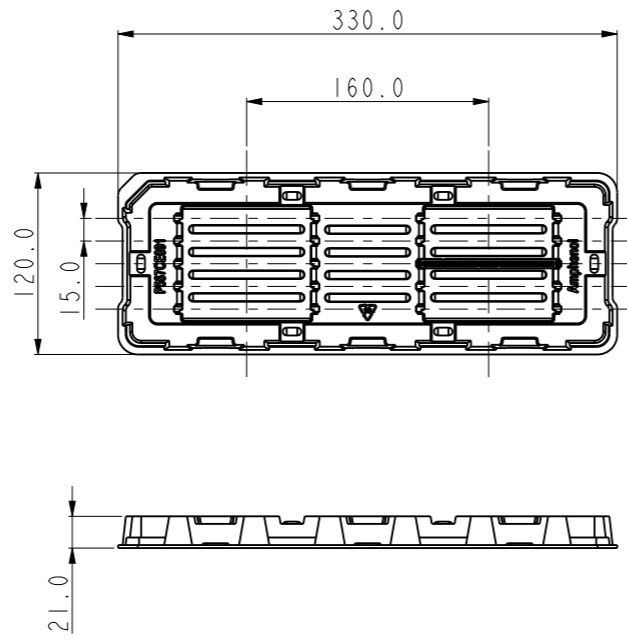
TABLE 2

ITEM/DIM	C (Pad Length)	D	E	F
SHORTER TAIL	1.20	6.00	3.00	6.55
STANDARD TAIL	1.90	7.40	3.70	7.95

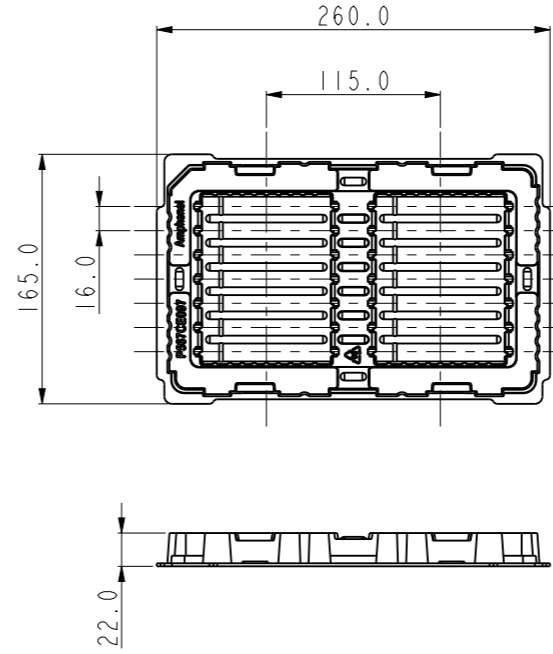
spec ref		dr	JERRY.OU	Jun. 04, 2021	Amphenol	mm	scale	1:1	size	A3	
tolerance std		eng	JERRY.OU	Jun. 04, 2021		ecn no	CD2675				
TOLERANCES UNLESS OTHERWISE SPECIFIED		rvwr				rel level	RELEASED				
		appr			amphenol-icc.com						
surface	linear	0.X	±0.10	projection	PCIe COOL EDGE CONNECTOR	cat. no.	C CEE0164X014XXXX			rev	6
		0.XX	±0.05				1.0mm PITCH, X16, Gen4 & Gen5				
	angular	0°	±5°	product family	PCIe COOL EDGE		sheet 4 of 5				



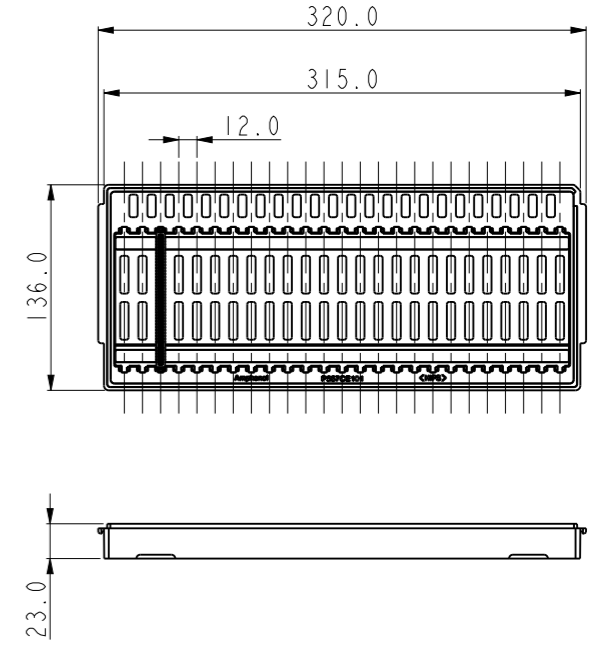
PART NUMBER SYSTEM
PACKING TRAY CODE: 0



PART NUMBER SYSTEM
PACKING TRAY CODE: 1



PART NUMBER SYSTEM
PACKING TRAY CODE: 2



PART NUMBER SYSTEM
PACKING TRAY CODE: 3

PART NUMBER SYSTEM PACKING CODE	TRAY SIZE (LxWxH)	QTY (PCS/TRAY)	QTY (PCS/CARTON)	NOTE
0	330x230x21	20	220	ANTI-STATIC PS,BLACK,T=2.00;BLISTER TRAY
1	330x120x21	10	160	ANTI-STATIC PS,BLACK,T=2.00;BLISTER TRAY
2	260x165x22	14	280	ANTI-STATIC PS,BLACK,T=2.00;BLISTER TRAY
3	320x136x23	25	400	HIPS,BLACK;INJECTION TRAY

spec ref	dr	JERRY.OU	Jun. 04, 2021	Amphenol	mm	scale	1:1	size	A3	
tolerance std	eng	JERRY.OU	Jun. 04, 2021		ecn no	CD2675				
TOLERANCES UNLESS OTHERWISE SPECIFIED	r vwr				amphenol-icc.com	rel level	RELEASED			
	appr				product family	PCIe COOL EDGE		sheet 5 of 5		
surface	linear	0.X	±3.0	projection	PCIe COOL EDGE CONNECTOR 1.0mm PITCH,X16,Gen4 & Gen5	cat. no.	C CEE0164X014XXXX		rev	6
	angular	0°	±5°							