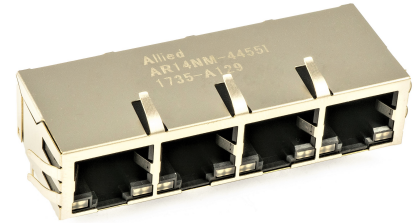


1x4 Quad Port RJ45 Connector with No Magnetics AR14NM-4451



- 1x4 RJ45 without Magnetics
- Industrial Operating Temp: -40°C to +85°C

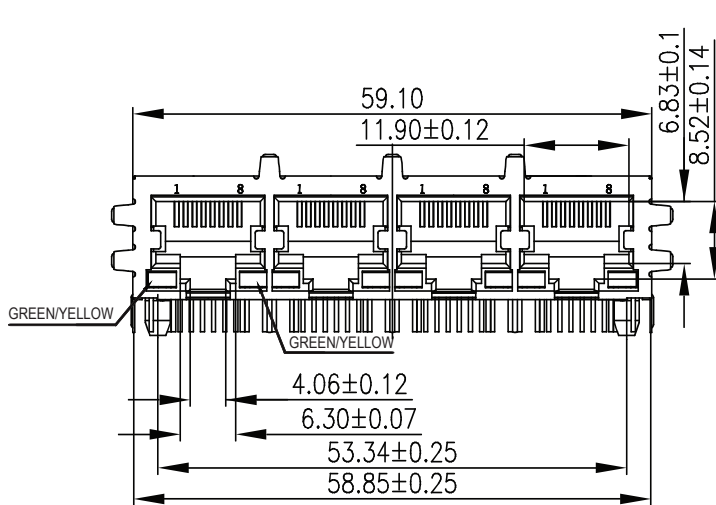
Electrical Specifications @ 25°C

Voltage Rating (VAC RMS)	Current Rating (Amp)	Contact Resistance (Max)	Insulation Resistance (Min @ 500 VDC)	Dielectric Strength Contact to Contact @ .5mA 50Hz or 60Hz / 60Sec	Dielectric Strength Contact to Screen/Test Panel @ .5mA, 50Hz or 60Hz / 60Sec
150	1.5	20mΩ	100MΩ	1000VDC or VAC Peak	1500VDC or VAC Peak

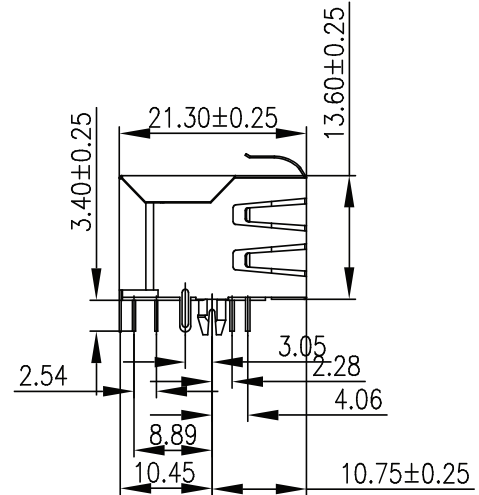
All specifications subject to change without notice.

MECHANICAL

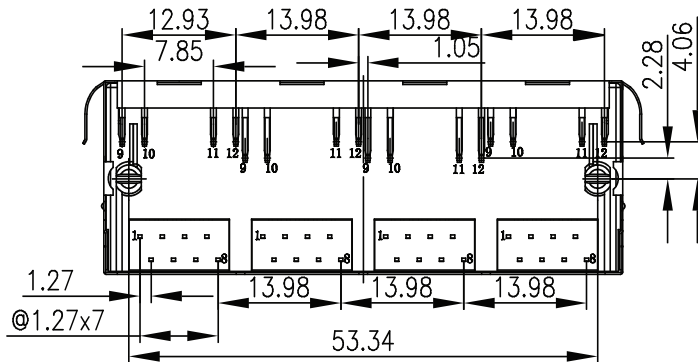
Dimension Unit: mm



Front View



Side View



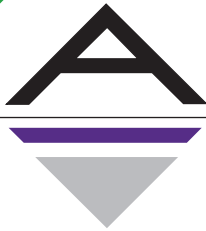
Bottom View

Part Marking

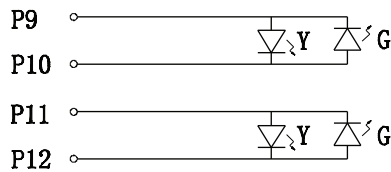
Allied
AR14NM-4451
YYWW

TOLERANCES

X.XXX	±0.05
X.XX	±0.25
X.X	±0.30
X.	±0.35



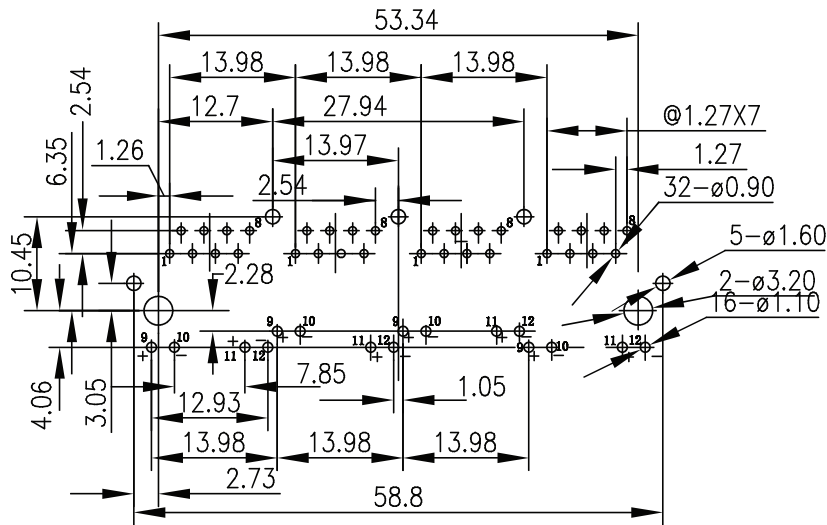
LED SCHEMATIC



Pin	Green	Yellow		Green	Yellow
P9	-	+	P11	-	+
P10	+	-	P12	+	-

PCB LAYOUT

Dimension Unit: mm



TOLERANCES

X.XXX	±0.05
X.XX	±0.25
X.X	±0.30
X.	±0.35

NOTES

- Housing Material:** PA66 UL94V-0, Color Black
- Plate Material:** PBT UL94V-0, Color Black
- Contact Material:** Phosphor Bronze. T = 0.35mm
- Plating 1:** Contact Area - Gold Plating 50µ".
2: Tails Plating Matte Tin 150µ" Min Over Nickel 50µ" Min.
- Shield:** Brass T = 0.2mm Plated Nickel 50µ" Min.