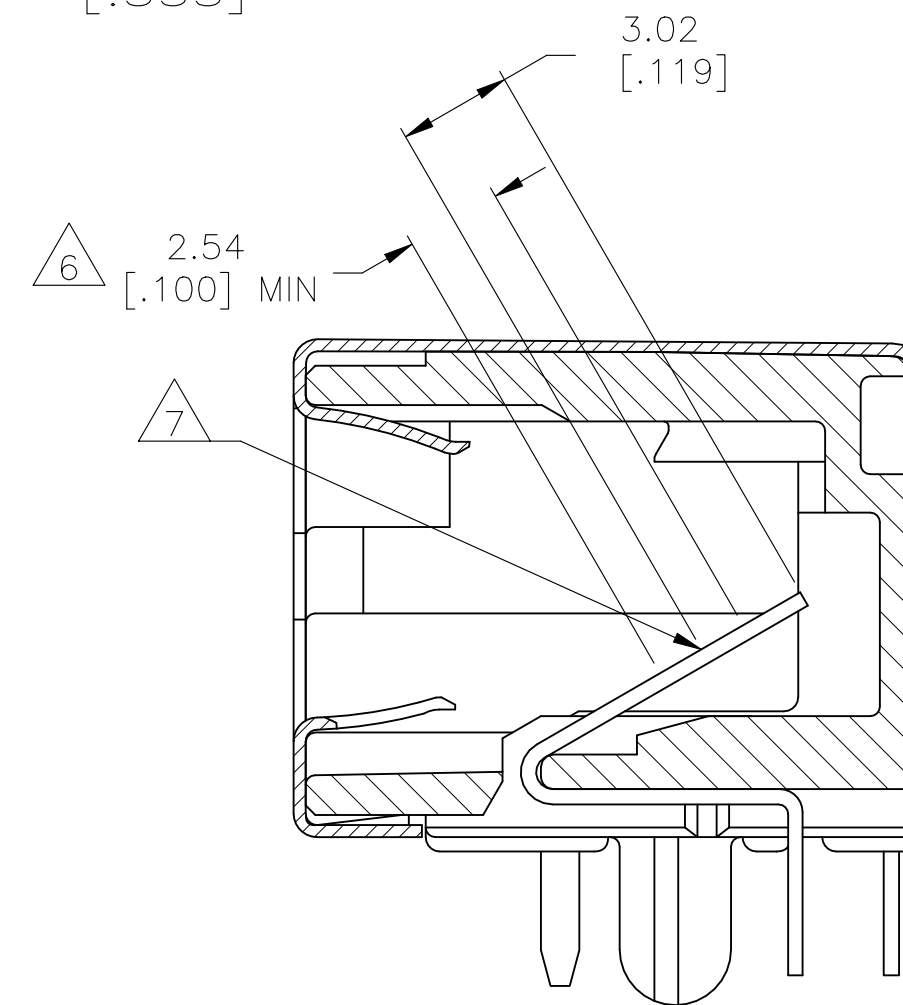
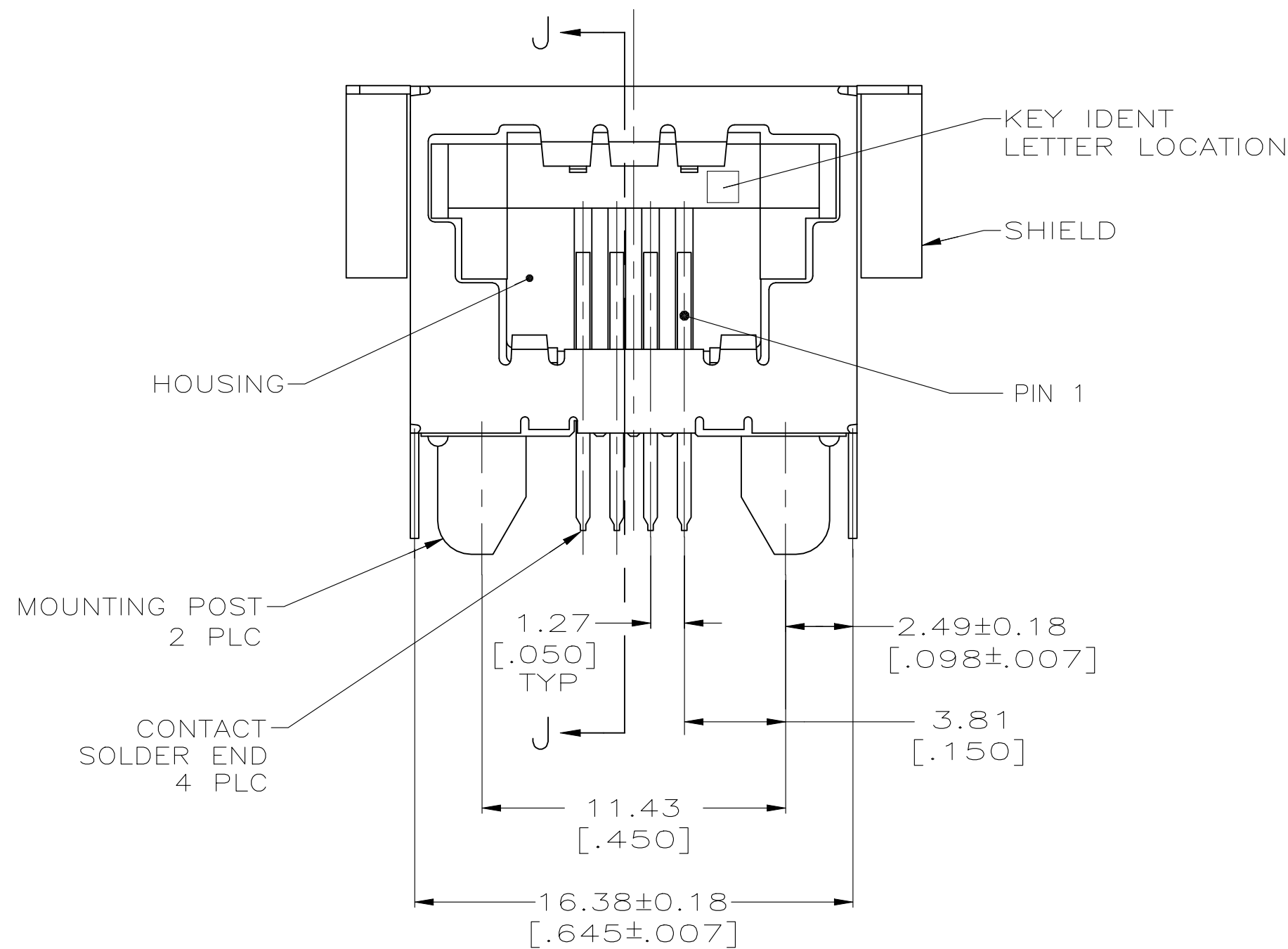
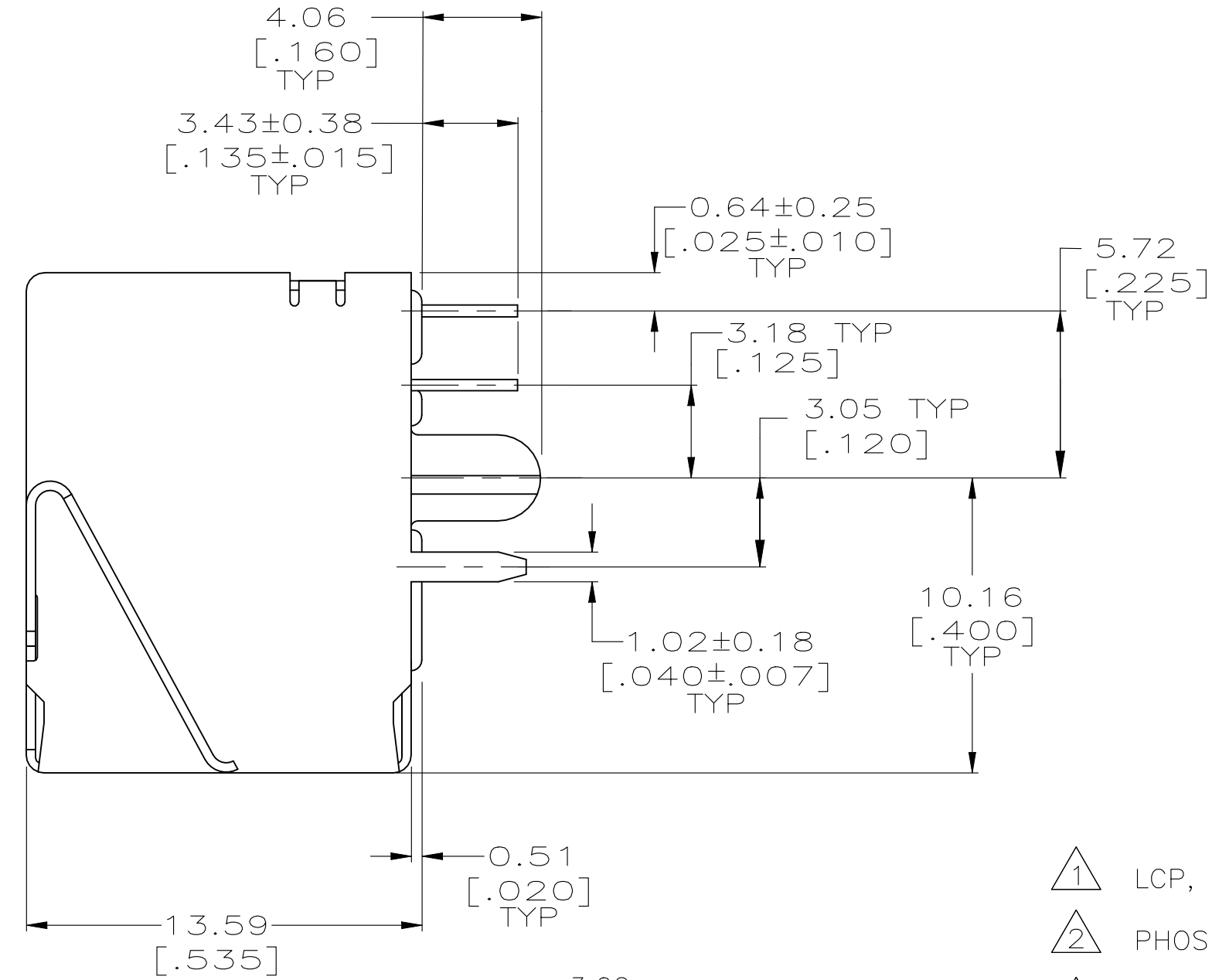
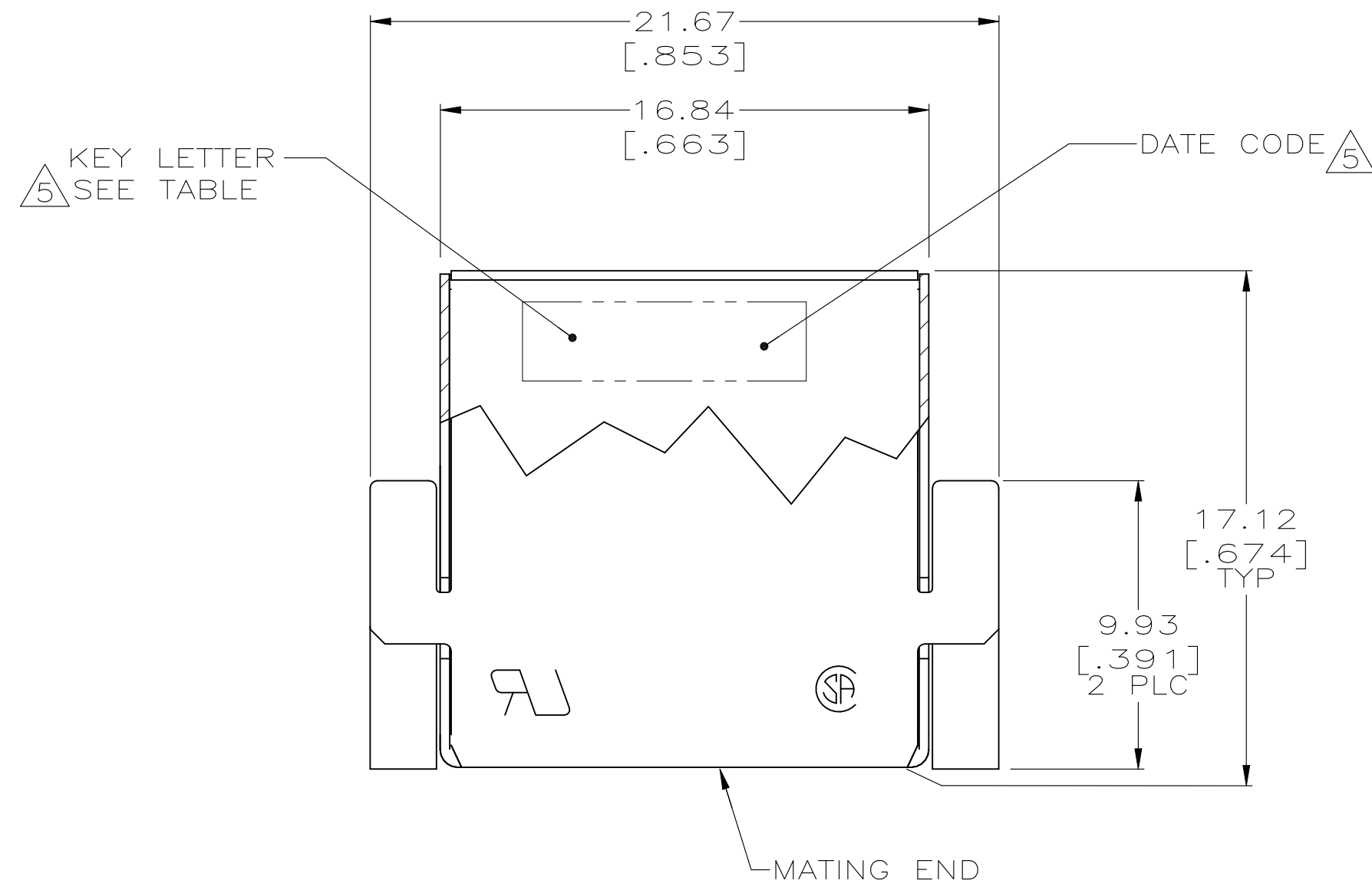


| REVISIONS | | | | | |
|-----------|---------------|-------------|-----------|-----|------|
| P | LTR | DESCRIPTION | DATE | DWN | APVD |
| C1 | ECR-21-115905 | | 21SEP2022 | RR | SZ |



SECTION J-J

- 1 LCP, UL 94V-0 RATED, BLACK.
- 2 PHOSPHOR BRONZE.
- 3 2.54µm [.000100] MIN BRIGHT TIN.
- 4 3.81µm [.000150] MIN MATTE TIN ON SOLDER END, 1.27µm [.000050] MIN GOLD ON MATING END FOR A LENGTH OF 2.54 [.100] MIN ON MATING SURFACE, ALL OVER 1.27µm [.000050] MIN NICKEL.
- 5 KEY IDENTIFICATION LETTER AND DATE CODE HOT STAMPED ON HOUSING, THIS SURFACE, LOCATED APPROXIMATELY AS SHOWN.
- 6 DIMENSION INDICATES CONTACT MATING AREA.
- 7 PLATING MEASUREMENT POINT.

| | | |
|----------|------------------|-------------|
| OBSOLETE | E | 5-1761205-1 |
| OBSOLETE | D | 4-1761205-1 |
| | KEY IDENT LETTER | PART NO |

| | | | | |
|--|------------|---------------------------|--|-----------------|
| THIS DRAWING IS A CONTROLLED DOCUMENT. DIMENSIONING AND TOLERANCING PER ASME Y14.5M-2009 | | DWN B. MCMASTER 30APR04 | TE Connectivity | |
| DIMENSIONS: mm [INCHES] | | CHK C. ROHDE 30APR04 | | |
| TOLERANCES UNLESS OTHERWISE SPECIFIED: | | APVD M. WALMSLEY 30APR04 | NAME | |
| 0 PLC ± - | 1 PLC ± - | PRODUCT SPEC 108-2047 | RECEPTACLE ASSEMBLY, 4 POSITION, SIDE ENTRY GND, SDL | |
| 2 PLC ± 0.13 [.005] | 3 PLC ± - | APPLICATION SPEC 114-2081 | SIZE A2 | CAGE CODE 00779 |
| 4 PLC ± - | ANGLES ± - | WEIGHT 0.000000 | DRAWING NO C=1761205 | RESTRICTED TO - |
| MATERIAL | FINISH | CUSTOMER DRAWING | SCALE 5:1 | SHEET 1 OF 1 |
| | | | REV C1 | |