

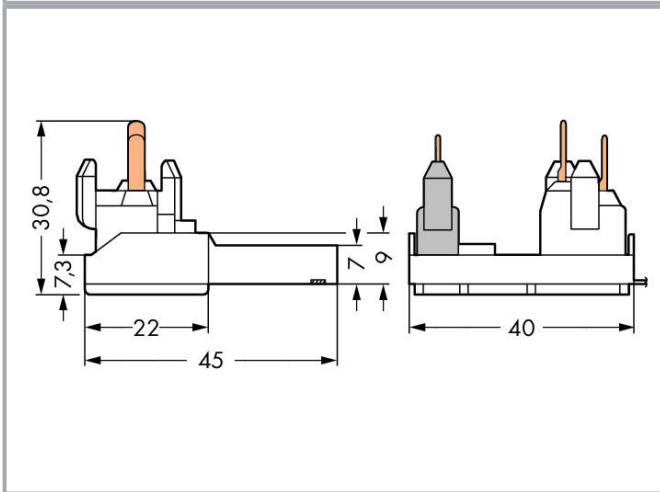
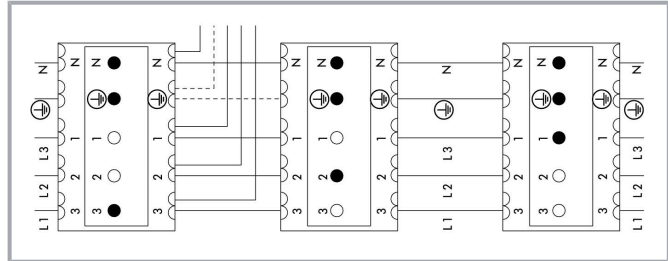
## Data sheet | Item number: 277-128

Male connector; with strain relief; 5-pole; 1,00 mm<sup>2</sup>; white/gray

[www.wago.com/277-128](http://www.wago.com/277-128)



**i** Picture differs from the item.



### Item description

- Flexible connection system with PUSH WIRE<sup>®</sup> connection
- Phase selection

Subject to changes. Please also observe the further product documentation!

WAGO GmbH & Co. KG  
Hansastr. 27  
32423 Minden  
Phone: +49571 887-0 | Fax: +49571 887-169  
Email: [info.de@wago.com](mailto:info.de@wago.com) | Web: [www.wago.com](http://www.wago.com)

Do you have any questions about our products?  
We are always happy to take your call at +49 (571) 887-44222.



## Data

### Electrical data

#### Ratings per IEC/EN

Ratings per	IEC/EN 60664-1
Rated voltage (III/2)	400 V
Rated impulse voltage (III/2)	4 kV
Rated current	10 A
Legend (ratings)	(III / 2) $\hat{=}$ Overvoltage category III / Pollution degree 2

#### Connection data

Number of connection types	1
----------------------------	---

#### Connection 1

Connection technology	PUSH WIRE <sup>®</sup>
Solid conductor	0.5 ... 1 mm <sup>2</sup> / 20 ... 18 AWG
Strip length	10 ... 11 mm / 0.39 ... 0.43 inches
Pole number	5

#### Physical data

Width	45 mm / 1.772 inches
Height	30.8 mm / 1.213 inches
Depth	40 mm / 1.575 inches

#### Material Data

Note (material data)	Information on material specifications can be found here
Color	white/gray
Material group	I
Insulation material	Polyamide (PA66)
Flammability class per UL94	V2
Clamping spring material	Chrome-nickel spring steel (CrNi)
Contact material	Electrolytic copper (E <sub>Cu</sub> )

Subject to changes. Please also observe the further product documentation!

Contact plating	Tin
Fire load	0.274 MJ
Weight	16.6 g

### Environmental requirements

Temperature stability	105 °C
-----------------------	--------

### Commercial data




eCl@ss 10.0	27-44-03-14
eCl@ss 9.0	27-44-03-14
ETIM 8.0	EC000458
ETIM 7.0	EC000458
PU (SPU)	250 pcs
Packaging type	bag
Country of origin	DE
GTIN	4045454356279
Customs tariff number	85366990990

### Environmental Product Compliance

RoHS Compliance Status	Compliant, No Exemption
------------------------	-------------------------

### Approvals / Certificates

#### General approvals

Logo	Approval	Additional Approval Text	Certificate name
	CSA DEKRA Certification B.V.	C22.2	70048855
	UL UL International Germany GmbH	UL 1977	E45171
	VDE VDE Prüf- und Zertifizierungsinstitut	EN 61984	40029569

Subject to changes. Please also observe the further product documentation!

WAGO GmbH & Co. KG  
 Hansastr. 27  
 32423 Minden  
 Phone: +49571 887-0 | Fax: +49571 887-169  
 Email: [info.de@wago.com](mailto:info.de@wago.com) | Web: [www.wago.com](http://www.wago.com)

Do you have any questions about our products?  
 We are always happy to take your call at +49 (571) 887-44222.



## Downloads

### Documentation

#### Additional Information

Technical Section	2019 Apr 3	pdf	Download
Technical explanations		2.0 MB	

---

## CAD/CAE-Data

### CAE data

EPLAN Data Portal 277-128		URL	Download
WSCAD Universe 277-128		URL	Download

---

## Environmental Product Compliance

### Compliance Search

Environmental Product Compliance 277-128		URL	Download
Male connector; with strain relief; 5-pole; 1,00 mm <sup>2</sup> ; white/gray			

---

## Installation Notes

Subject to changes. Please also observe the further product documentation!