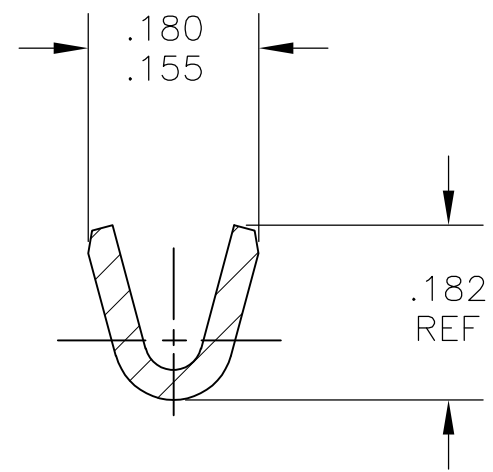
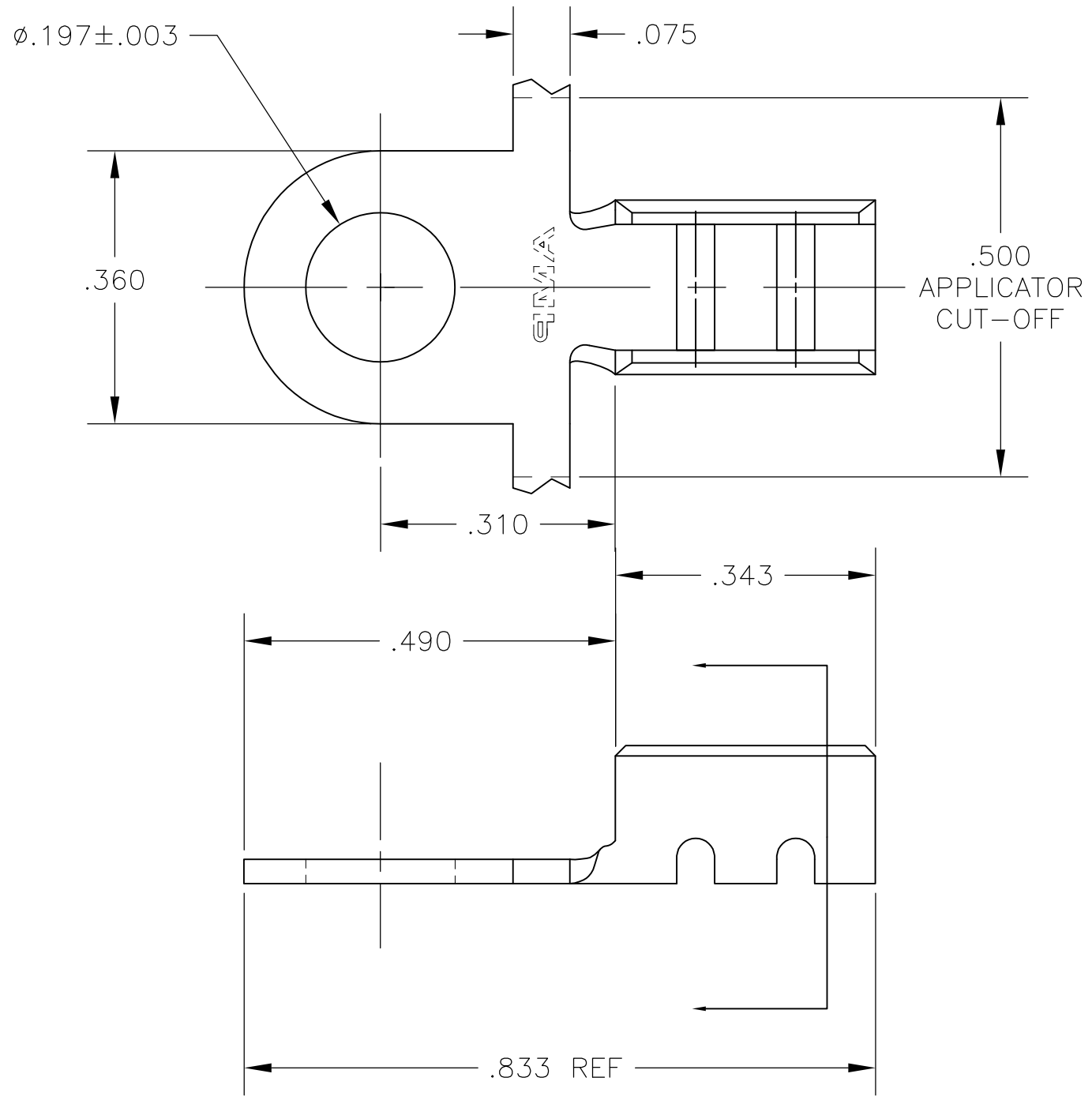


THIS DRAWING IS UNPUBLISHED. RELEASED FOR PUBLICATION  
 © COPYRIGHT - BY TYCO ELECTRONICS CORPORATION. ALL RIGHTS RESERVED.

LOC	DIST	REVISIONS					
AF	50	P	LTR	DESCRIPTION	DATE	DWN	APVD
		B		REL PER ECR 07-025284	25OCT07	JR	JK

- 1 CONTINUOUS STRIP ON REELS.
- 2 WIRE SIZE IS 22-15 AWG



1742556-1  
 PART NO

THIS DRAWING IS A CONTROLLED DOCUMENT.		DWN	jr_ruth	22FEB07	Tyco Electronics Corporation Harrisburg, PA 17105-3608		
DIMENSIONS: INCHES		CHK	J KNOLL	22FEB07			
		TOLERANCES UNLESS OTHERWISE SPECIFIED:		APVD	RING TONGUE, NI-CHROME WIRE		
0 PLC ± - 1 PLC ± - 2 PLC ± - 3 PLC ± .010 4 PLC ± - ANGLES ± 5°		PRODUCT SPEC		APPLICATION SPEC		RESTRICTED TO	
MATERIAL		FINISH		WEIGHT		SIZE CAGE CODE DRAWING NO	
-		-		-		A3 00779 C-1742556	
CUSTOMER DRAWING				SCALE	5:1	SHEET	1 OF 1
				REV		B	