

**D-31, DH-31, and DHL-31 Series, Rated up to 120 Amps, 115/200 VAC, 400 Hz**

**Product Facts**

- 3PDT, Center off
- Gasket sealed or Hermetically sealed
- Auxiliary contacts available
- Meets many requirements of MIL-PRF-6106



**Performance Data**

**Electrical Characteristics**

- Contact Arrangement** — 3PDT, Center Off
- Rated Operating Voltage** — 115/200 VAC, 400 Hz, 3 phase
- Resistive Rating** — 120 Amps
- Inductive Rating** — 120 Amps
- Motor Rating** — 80 Amps
- Rupture Rating** — 1,000 Amps

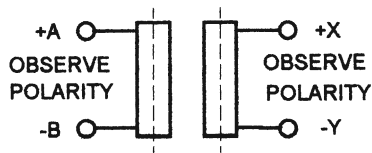
**General Characteristics**

- Temperature Range** — -55°C to +71°C
- Operating Cycles (Life) at Rated Resistive Load, Min.** — 50,000 cycles
- Operating Cycles (Life) Mechanical, Min.** — 100,000 cycles
- Dielectric Strength** — All Circuits to Ground — 1,500 Vrms  
Circuit to Circuit — 1,500 Vrms  
Coil to Ground and Aux. Contacts — 1,000 Vrms
- Altitude** — D-31 — 50,000 ft  
DH-31, DHL-31 — 70,000 ft
- Weight** — 2.60 lbs

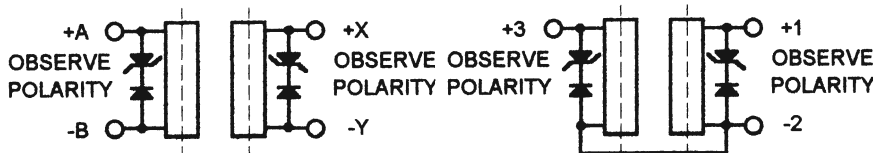
**Coil Characteristics**

- Duty Cycle** — Continuous (Type A, See diagram below)  
Continuous with suppression (Type B or Type C, See diagram below)
- Operating Voltage, Nom.** — 28 Vdc
- Pickup Voltage @ 25°C, Max.** — Coil Type A and C — 18 Vdc  
Coil Type B — 15 Vdc
- Dropout Voltage @ 25°C, Max.** — Coil Type A and C — 1.5 to 7 Vdc  
Coil Type B — 2 to 7 Vdc
- Coil Resistance ±20% @ 25°C** — Coil Type A — N/A  
Coil Type B — 100 Ohms  
Coil Type C — 132 Ohms
- Coil Current @ 25°C, Max.** — .350 Amp

**Coil Type**

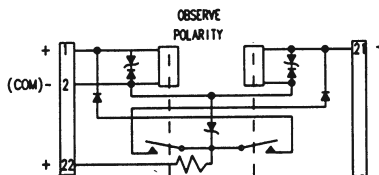


A — Continuous



B — Continuous with Suppression

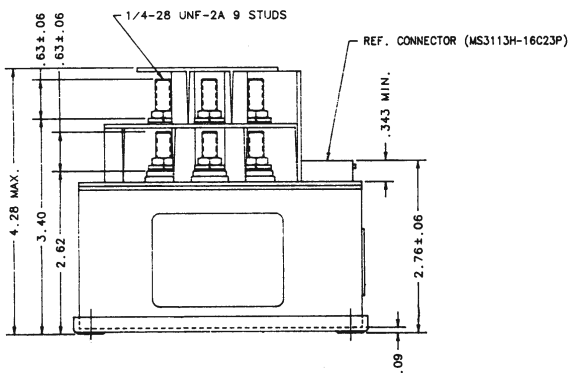
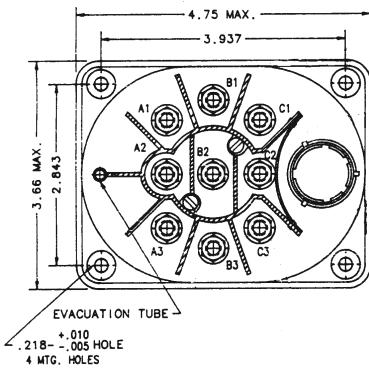
C — Continuous with Suppression



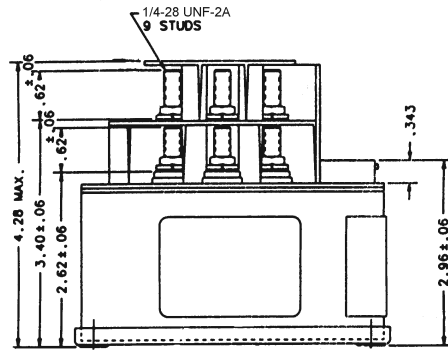
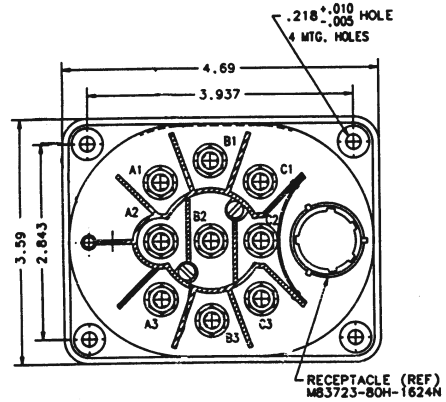
D — Latching

For factory-direct application assistance, phone 419-521-9500 or fax 419-526-2749.

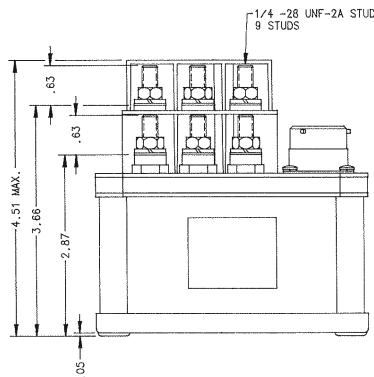
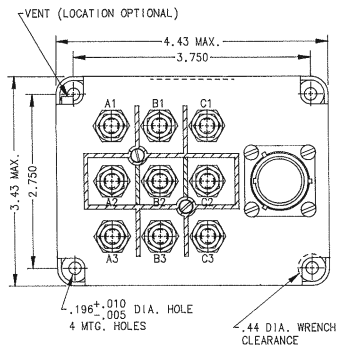
**D-31, DH-31, and DHL-31 Series, Rated up to 120 Amps,  
115/200 VAC, 400 Hz (Continued)**



Mounting Style A



Mounting Style B

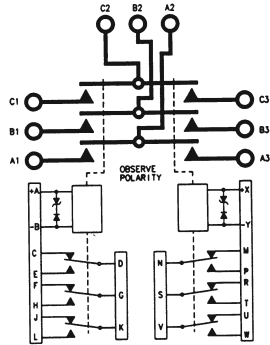


Mounting Style C

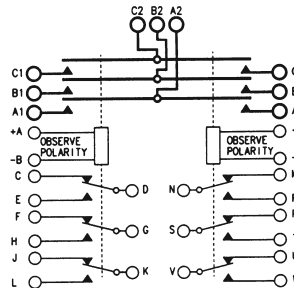
For factory-direct application assistance, phone 419-521-9500 or fax 419-526-2749.

**D-31, DH-31, and DHL-31 Series, Rated up to 120 Amps,  
115/200 VAC, 400 Hz (Continued)**

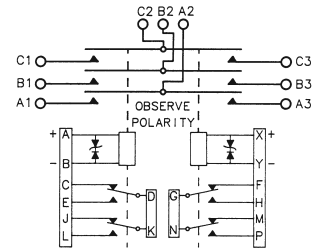
**Circuit Configurations** (Consult factory for other available circuit configurations)



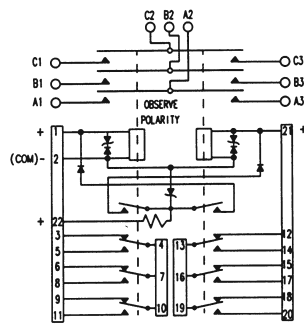
**Circuit Configuration 1**



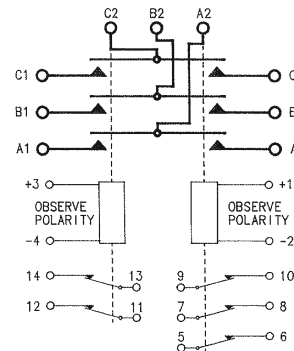
**Circuit Configuration 2**



**Circuit Configuration 3**



**Circuit Configuration 4**



**Circuit Configuration 4**

HARTMAN Part Number	Construction Type	Mounting Style	Coil Type	Circuit Config.	TE Part Number
D-31DB	Gasket/Vented	A	B	1	1616049-2
D-31TH	Gasket/Vented	C	A	5	1616524-5
DH-31A	Hermetically Sealed	A	A	2	1616050-4
DH-31DA	Hermetically Sealed	A	B	3	1616050-5
DH-31DAA	Hermetically Sealed	A	A	3	1616050-6
DHL-31B	Hermetically Sealed	B	D	4	1616050-8

For factory-direct application assistance, phone 419-521-9500 or fax 419-526-2749.