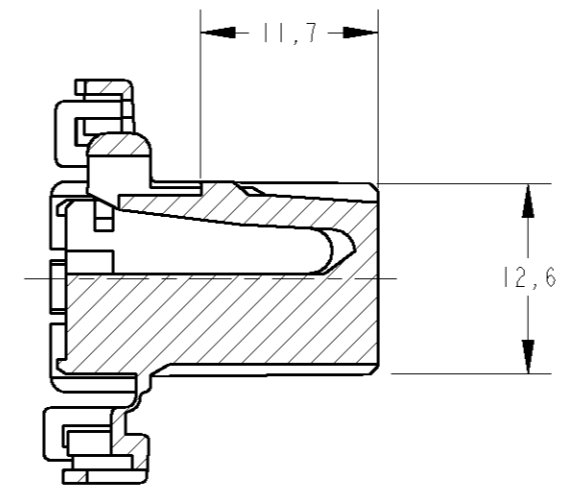
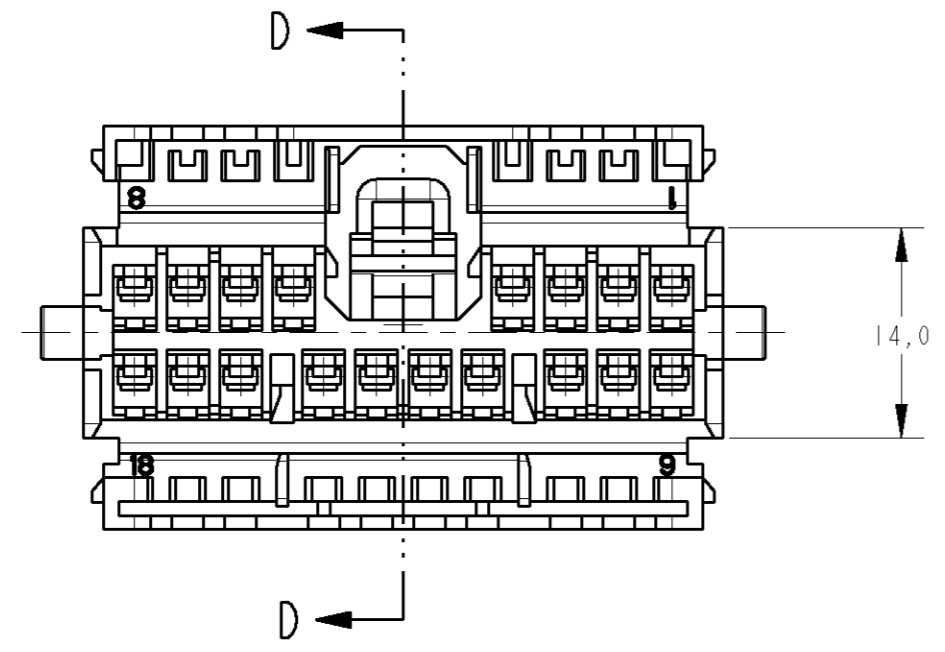


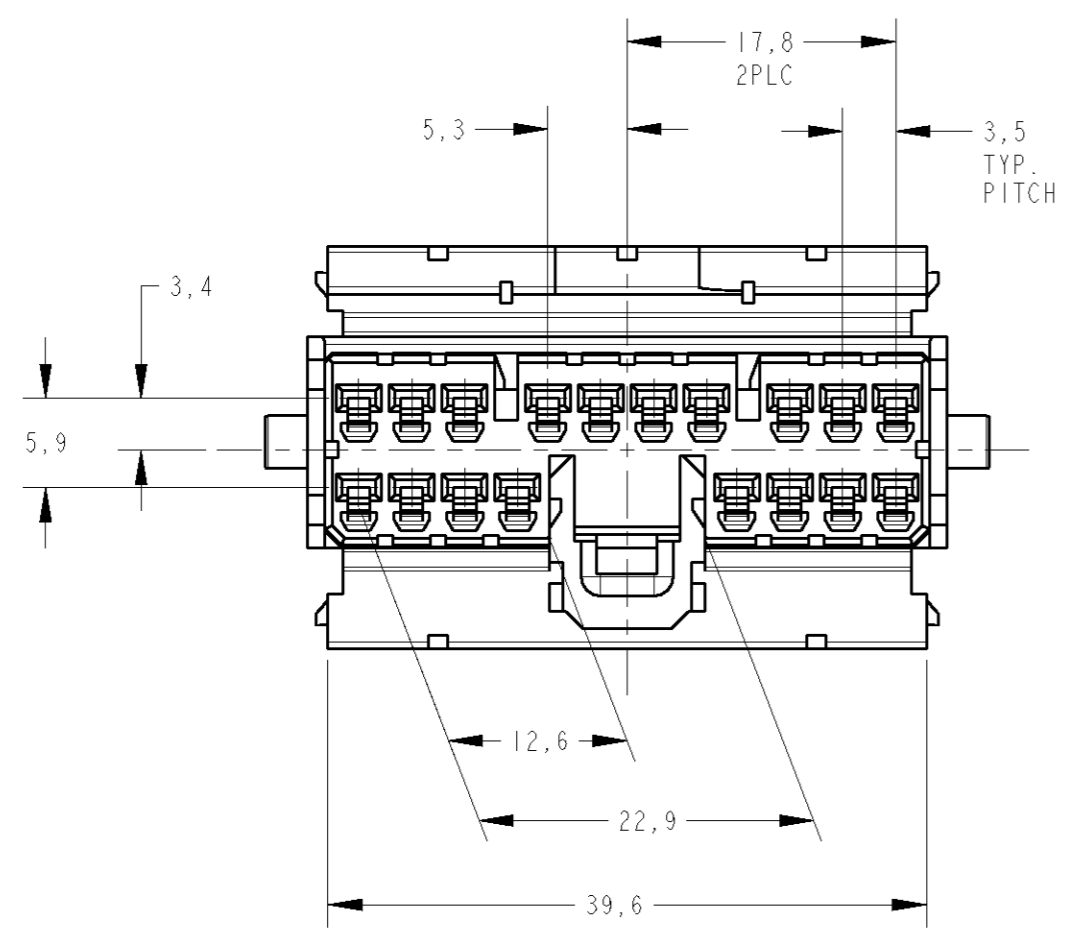
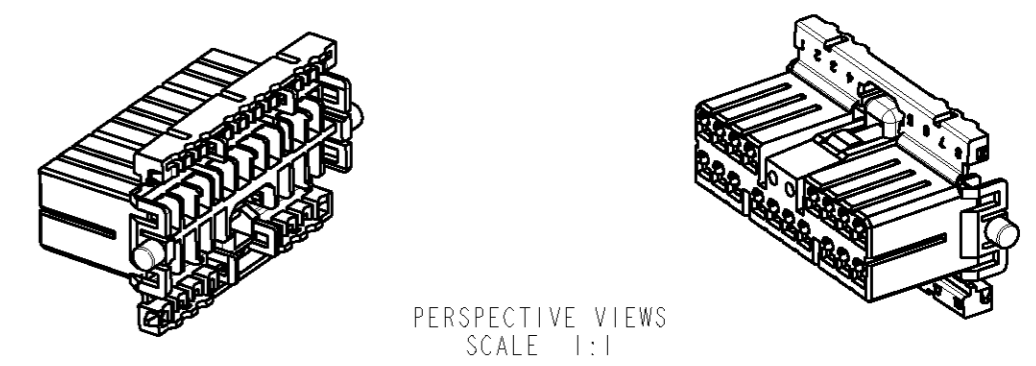
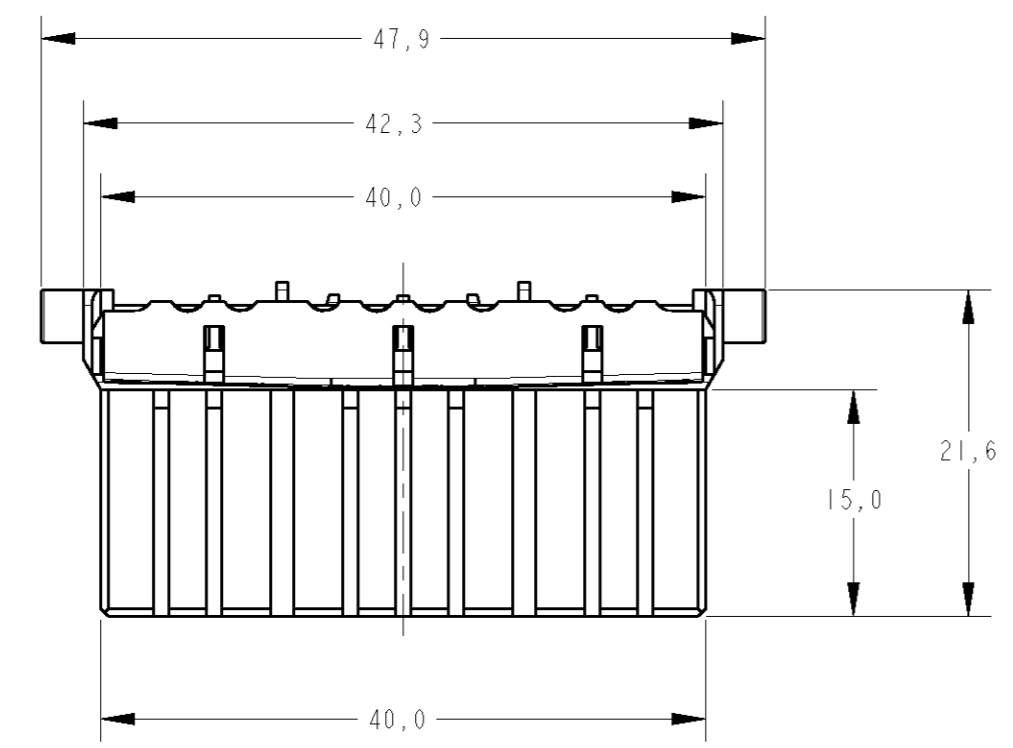
THIS DRAWING IS UNPUBLISHED. RELEASED FOR PUBLICATION 20
 © COPYRIGHT 20 BY TYCO ELECTRONICS CORPORATION. ALL RIGHTS RESERVED.

LOC	DIST	REVISIONS			
P	LTR	DESCRIPTION	DATE	DWN	APVD
AP	-				
0		RELEASED ECLE10-191/04	28JUN2004	AP	PLF
A		REVISED BY ECLE10-269/04	14SEP2004	AP	PLF
B		REVISED BY EC LE10-0302/04	12NOV2004	MAS	PLF



SECTION D-D

GRAVAÇÕES MARKINGS
LOGOTIPO AMP AMP LOGO
CÓDIGO PAIS PRODUTOR MANUFACTURER COUNTRY CODE
NÚMERO CAVIDADE CAVITY NUMBER
IDENTIFICAÇÃO CIRCUITO CIRCUIT IDENTIFICATION
COD. DATADOR ANO/MES DATE CODE YEAR/MONTH



- 1 - TERMINAIS UTILIZADOS:
 WIRE RANGE 0.3 - 0.5mm - PN TYCO 282374-1
 WIRE RANGE 1.0 - 1.5mm - PN TYCO 282375-1
- 1 - USED CONTACTS:
 WIRE RANGE 0.3 - 0.5mm - TYCO CODE 282374-1
 WIRE RANGE 1.0 - 1.5mm - TYCO CODE 282375-1
- 2 - USADO NO: PN TYCO 1599385
 USED ON:

NATURAL	PBT	1599386-1
FINISH	MATERIAL	PART NUMBER
DWN A PERUSSI 28JUN2004 CHK P.L.FARIA 28JUN2004 APVD L.W.PRADO 28JUN2004 PRODUCT SPEC N/A APPLICATION SPEC N/A WEIGHT -/- CUSTOMER DRAWING		TYCO Electronics TYCO ELECTRONICS do Brasil LTDA. Sao Paulo, Brasil NAME HOUSING 18 POSN. .070 SERIES MULTILOCK REC. SIZE A2 CAGE CODE 00779 DRAWING NO. 1599386 RESTRICTED TO -/- SCALE 2:1 SHEET 1 OF 1 REV B

DIMENSIONS:		TOLERANCES UNLESS OTHERWISE SPECIFIED:	
mm		0 PLC	±
		1 PLC	±0,3
		2 PLC	±
		3 PLC	±
		4 PLC	±
		ANGLES	±1
		FINISH	
MATERIAL	SEE TABLE		