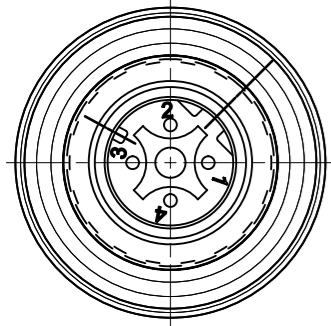


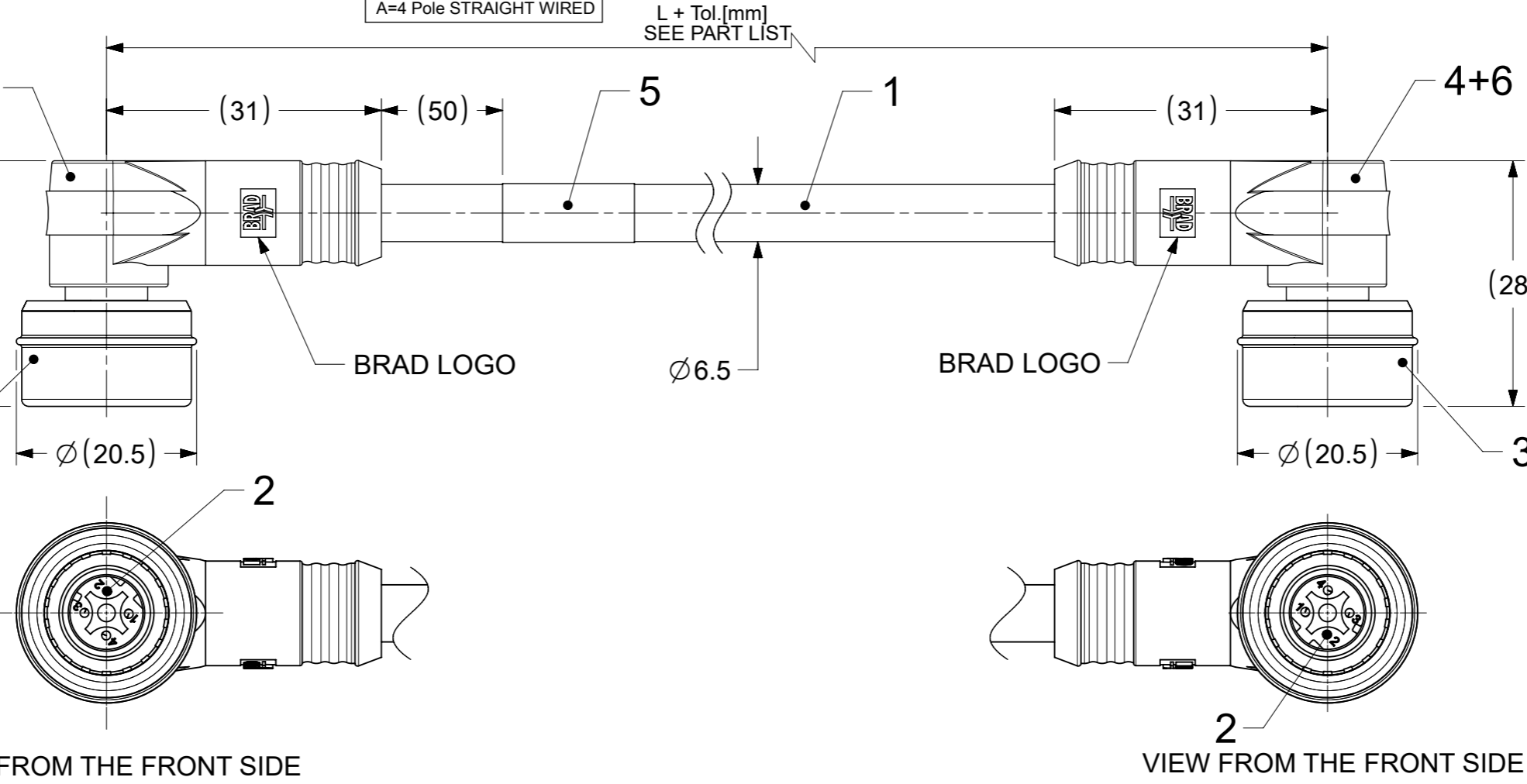
M12U 4 POLE MALE



VIEW FROM THE FRONT SIDE

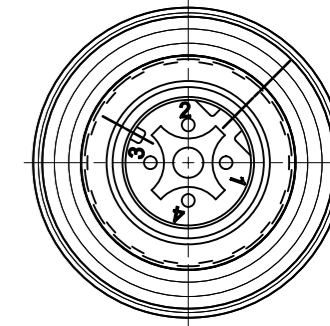
PIN	WIRE COLOR
1	YE
2	WH
3	OR
4	BU

SHIELD CONNECTED TO COUPLING NUTS



VIEW FROM THE FRONT SIDE

M12U 4 POLE MALE



VIEW FROM THE FRONT SIDE

PIN	WIRE COLOR
1	YE
2	WH
3	OR
4	BU

SHIELD CONNECTED TO COUPLING NUTS

PART No. MATRIX

E W W A 0 6 3 1 0 M X X X

E=ETHERNET

HEADS:
W=M12 4-Pole Ultra Lock
D-Coding
W=M12 4-Pole Ultra Lock
D-Coding

HEADS STYLE:
063=MALE RA / MALE RA

UNITS:
M = METER
T=10x METER

LENGTH EXAMPLES:
005=0.5
010=1
150=15

WIRING TYPE:
A=4 Pole STRAIGHT WIRED

CABLE TYPE

L + Tol. [mm]
SEE PART LIST

PART LIST

MOLEX PN	ENGINEERING No	L+Tol. [mm]
1201080106	EWWA06310M010	1000 +56
1201080107	EWWA06310M020	2000 +89
1201080108	EWWA06310M050	5000+165
1201080109	EWWA06310M100	10000+317
1201080110	EWWA06310M150	15000+610

BOM

ITEM	QTY.	DESCRIPTION	MATERIAL	FINISH/COLOR
6	2	SHIELD CLOSURE CAP-90	BRASS	Ni-PLATED
5	1	LABEL	VINYL	YELLOW
4	-	MOULDING MATERIAL	TPU	BLACK
3	2	ULTRALOCK MALE ASSEMBLY	-	-
2	8	CONTACT MALE	BRASS	Au OVER Ni
1	-	ETHERNET CABLE-CAT5eES	PUR	GREEN

DOCUMENT STATUS	P1	RELEASE DATE	2022/04/22	06:35:59
-----------------	----	--------------	------------	----------

NOTES :

ACC. TO CAT5e ETHERNET STD.
MAX. VOLTAGE : 30V
MAX. CURRENT : 1.5A
IP RATING : IP67
TEMPERATURE RANGE : -20°C TO +75°C

FUNCTIONAL SYMBOLS ∇/A = 0 ∇/E = 0 ∇/V = 0	THIS DRAWING CONTAINS INFORMATION THAT IS PROPRIETARY TO MOLEX ELECTRONIC TECHNOLOGIES, LLC AND SHOULD NOT BE USED WITHOUT WRITTEN PERMISSION	SCALE 3:2	CURRENT REV DESC:		
	DIMENSION UNITS mm	GENERAL TOLERANCES (UNLESS SPECIFIED) ANGULAR TOL ± 1.0°	EC NO: 703538	2022/03/29	molex
DIVISIONAL SYMBOLS	4 PLACES ±	DRWN: SSM	2022/04/22	MIC 4P M/MP ULOCK 90/90 XM	
	3 PLACES ±	CHK'D: RSILLER	2022/04/22	PRODUCT CUSTOMER DRAWING	
	2 PLACES ± 0.05	APPR: RSILLER	2022/04/22	DOCUMENT NUMBER	
	1 PLACE ± 0.3	INITIAL REVISION:		1201080106	
	0 PLACES ± 0.5	DRWN: SSM	2022/03/29	DOC TYPE	
	DRAFT WHERE APPLICABLE MUST REMAIN WITHIN DIMENSIONS	APPR: RSILLER	2022/04/22	DOC PART	
	THIRD ANGLE PROJECTION	DRAWING	SERIES	REVISION	
		A3-SIZE	120108	000	
		SEE PART LIST	GENERAL MARKET	A	
				SHEET NUMBER	
				1 OF 1	