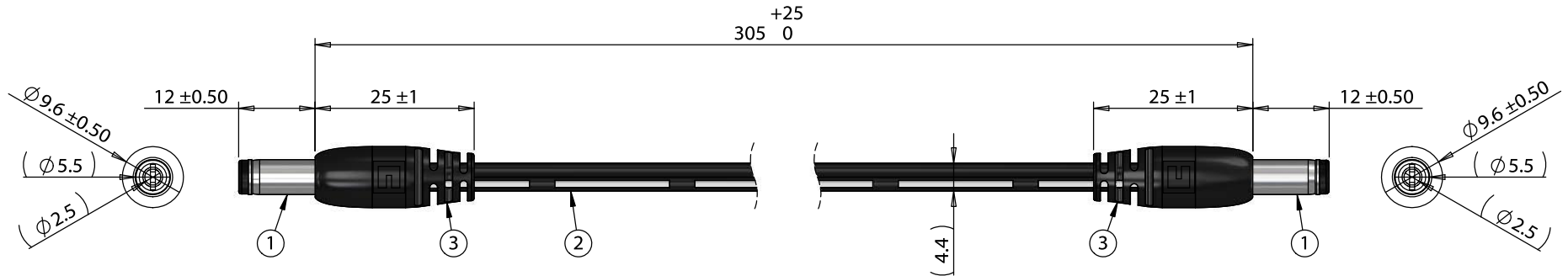


| ITEM NO. | PART NUMBER | DESCRIPTION | QTY. | COMPONENT NOTES |
|----------|-------------|--|------|-----------------|
| 1 | 50-00026 | Connector, dc plug, 5.5x2.5xL23 mm, molding style, spring contacts | 2 | |
| 2 | 30-00395 | Wire, 2C TS, 18 AWG, UL2468, 300V, 80C, 4.4 mm, VW-1, PVC, 87A | 1 | |
| 3 | 24-00003 | Overmold, PVC | 2 | black |



Notes:
Functionally equivalent components may be substituted

| Wiring Diagram | | |
|----------------|-------------------|----------|
| 50-00026 | wire color | 50-00026 |
| center | black with stripe | center |
| sleeve | black | sleeve |

| | | | | | |
|-----------|------------|-----------------|--|--|--|
| Revision: | Date: | Description: | Prepared: | Notes: | <h1>TENSILITY</h1> <p>tel 1.541.323.3228 800 877.670.7118 fax 1.541.323.4202 web tensility.com</p> |
| A | 01/19/2018 | Initial release | GL <small>Digitally signed by GL Date: 2018.01.19 09:02:19 -08'00'</small> | | |
| | | | Verified: | Function test: no open, no short circuit, no intermittent | |
| | | | AW <small>Digitally signed by AW Date: 2018.02.14 08:58:55 -08'00'</small> | Description: | Size: Part number: |
| | | | Dimensions are in millimeters. Tolerances: X: ± 0.5 mm X.X: ± 0.3 mm X.XX: ± 0.05 mm | Cable, 305 mm, 5.5x2.5x12 mm 50-00026 dc plug to same, 18 AWG, UL2468, 30-00395 wire | A 10-02541 |
| | | | | | Scale: 1:1 Sheet 1 of 1 |

5

4

3

2

1