

PLEASE CHECK WWW.MOLEX.COM FOR LATEST PART INFORMATION

Part Number: [0621002200](#)
Status: **Active**
Overview: [Application Tooling](#)
Description: Manual Press with IDT Ribbon Cable Tool Kit

Documents:

[RoHS Certificate of Compliance \(PDF\)](#)

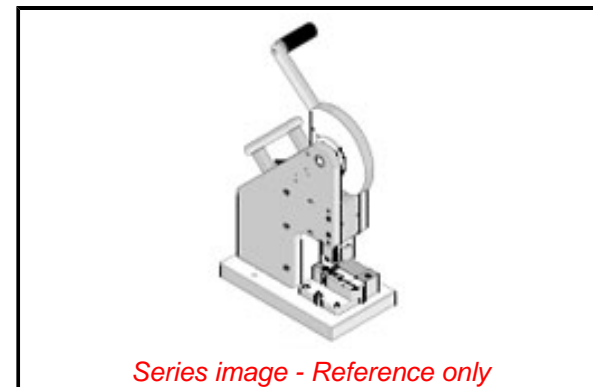
General

Product Family	Application Tooling
Series	207125
Comments	See Tooling Specification (PDF) Above, See Tooling Specification (PDF) Above
Function	Crimp
Geographic Area	Global
Level of Automation	Manual
More Detailed Tech Information	applicationtooling@molex.com
Overview	Application Tooling
Product Name	N/A
Tool Type	Arbor Press
UPC	884982115606
Warranty Disclaimer	CAUTION: Molex tooling crimp specifications are valid only when used with Molex terminals and tooling manufactured by Molex and sold by Molex or authorized distributors ("Molex Tooling"). When using tooling other than Molex Tooling with Molex specific connector systems listed in our ATS documents, the Molex tooling qualification does not apply and the responsibility for full qualification of the connector system is that of the customer. Molex accepts no liability for connector performance or tooling support where tooling other than Molex Tooling is used or where Molex Tooling is modified.

Material Info

Reference - Drawing Numbers
Application Tooling Documents

TM-621002200



Series image - Reference only

EU ELV

Not Reviewed

EU RoHS

Not Reviewed

REACH SVHC

Not Reviewed

Halogen-Free

Status

Not Reviewed

For more information, please visit [Contact US](#)

China ROHS

Not Reviewed

ELV

Not Reviewed

RoHS Phthalates

Not Reviewed

Search Parts in this Series

[207125 Series](#)

Application Tooling | **FAQ**
Description | **Product #**

1.57mm Diameter, Standard .062" Pin and Socket Crimp Terminal, Female, with Tin (Sn) Plated Brass Contact, 18-24 AWG, Reel	2061101
1.57mm Diameter, Standard .062" Pin and Socket Crimp Terminal, Female, with Tin (Sn) Plated Brass Contact, 18-24 AWG, Bag	2061103
1.57mm Diameter, Standard .062" Pin and Socket Crimp Terminal, Series 4529, Female, with Tin (Sn) Plated Phosphor Bronze	2061104

Contact, 18-24 AWG,
Reel
1.57mm Diameter, 2061118
Standard .062" Pin
and Socket Crimp
Terminal, Series
1561, Female, with
Tin (Sn) Plated Brass
Contact, Without
Locking Tabs,
18-24 AWG, Reel
Packaged
1.57mm Diameter, 2061131
Standard .062" Pin
and Socket Crimp
Terminal, Series
1855, Female, with
Tin (Sn) Plated Brass
Contact, 24-30 AWG,
Reel
1.57mm Diameter, 2061132
Standard .062" Pin
and Socket Crimp
Terminal, Series
1855, Female, with
Tin (Sn) Plated Brass
Contact, 24-30 AWG,
Bag
1.57mm Diameter, 2061141
Standard .062" Pin
and Socket Crimp
Terminal, Series
1855, Female, with
Tin (Sn) Plated
Brass Contact,
24-30 AWG, Without
Locking Tabs, Reel
Packaged
1.57mm Diameter, 2061143
Standard .062" Pin
and Socket Crimp
Terminal, Series
1855, Female, with
Tin (Sn) Plated Brass
Contact, 24-30 AWG,
Reel Packaged with
Interleaf Paper
1.57mm Diameter, 2062101
Standard .062" Pin
and Socket Crimp
Terminal, Series
1560, Male, with Tin
(Sn) Plated Brass
Contact, 18-24 AWG,
Reel
1.57mm Diameter, 2062103
Standard .062" Pin
and Socket Crimp
Terminal, Series
1560, Male, with Tin
(Sn) Plated Brass
Contact, 18-24 AWG,
Bag
1.57mm Diameter, 2062131
Standard .062" Pin

and Socket Crimp
Terminal, Series
1854, Male, with Tin
(Sn) Plated Brass
Contact, 24-30 AWG,
Reel

1.57mm Diameter, 2062132

Standard .062" Pin
and Socket Crimp
Terminal, Series
1854, Male, with Tin
(Sn) Plated Brass
Contact, 24-30 AWG,
Bag

1.57mm Diameter, 2065100

Standard .062" Pin
and Socket Crimp
Terminal, Female,
with 0.38 μ m Gold
(Au) Plated Brass
Contact, 18-24 AWG,
Reel

1.57mm Diameter, 2065101

Standard .062" Pin
and Socket Crimp
Terminal, Female,
with 0.76 μ m Gold
(Au) Plated Brass
Contact, 18-24 AWG,
Reel

1.57mm Diameter, 2065102

Standard .062" Pin
and Socket Crimp
Terminal, Female,
with 0.76 μ m Gold
(Au) Plated Brass
Contact, 18-24 AWG,
Bag

1.57mm Diameter, 2065103

Standard .062" Pin
and Socket Crimp
Terminal, Female,
with 0.38 μ m Gold
(Au) Plated Brass
Contact, 18-24 AWG,
Bag

1.57mm Diameter, 2065104

Standard .062" Pin
and Socket Crimp
Terminal, Series
1561, Female,
with 1.27 μ m Gold
Max. Insulation
Diameter, Loose in
Bag Packaged

1.57mm Diameter, 2065105

Standard .062" Pin
and Socket Crimp
Terminal, Series
1561, Female, with
1.27 μ m Gold Max.
Insulation Diameter,
Reel

1.57mm Diameter, 2065108

Standard .062" Pin

and Socket Crimp
Terminal, Female,
with Selective Gold
(Au) Plated Brass
Contact, 18-24 AWG,
Reel

1.57mm Diameter, [2065109](#)

Standard .062" Pin
and Socket Crimp
Terminal, Female,
with Selective Gold
(Au) Plated Brass
Contact, 18-24 AWG,
Bag

1.57mm Diameter, [2065130](#)

Standard .062" Pin
and Socket Crimp
Terminal, Series
1855, Female,
with 0.38 μ m Gold
(Au) Plated Brass
Contact, 24-30 AWG,
Reel

1.57mm Diameter, [2065135](#)

Standard .062" Pin
and Socket Crimp
Terminal, Series
1855, Female,
with 0.38 μ m Gold
(Au) Plated Brass
Contact, 24-30 AWG,
Bag

1.57mm Diameter, [2065138](#)

Standard .062" Pin
and Socket Crimp
Terminal, Series
1855, Female,
with 0.76 μ m Gold
(Au) Plated Brass
Contact, 24-30 AWG,
Reel

1.57mm Diameter, [2065139](#)

Standard .062" Pin
and Socket Crimp
Terminal, Series
1855, Female,
with 0.76 μ m Gold
(Au) Plated Brass
Contact, 24-30 AWG,
Bag

1.57mm Diameter, [2065147](#)

Standard .062" Pin
and Socket Crimp
Terminal, Series
1855, Female, with
Selective Gold
(Au) Plated Brass
Contact, 24-30 AWG,
Reel

1.57mm Diameter, [2065148](#)

Standard .062" Pin
and Socket Crimp
Terminal, Series
1855, Female, with
Selective Gold

(Au) Plated Brass
Contact, 24-30 AWG,
Bag
1.57mm Diameter, 2066100
Standard .062" Pin
and Socket Crimp
Terminal, Series
1560, Male, with
Gold (Au) Plated
Brass Contact, 18-24
AWG, Reel
1.57mm Diameter, 2066101
Standard .062"
Pin and Socket
Crimp Terminal,
Series 1560, Male,
with .76µm Selective
Gold (Au) Plated
Brass Contact,
18-24 AWG, Reel
Packaged
1.57mm Diameter, 2066102
Standard .062"
Pin and Socket
Crimp Terminal,
Series 1560, Male,
with .76µm Selective
Gold (Au) Plated
Brass Contact, 18-24
AWG, Bag Packaged
1.57mm Diameter, 2066103
Standard .062" Pin
and Socket Crimp
Terminal, Series
1560, Male, with
Gold (Au) Plated
Brass Contact, 18-24
AWG, Bag
1.57mm Diameter, 2066104
Standard .062"
Pin and Socket
Crimp Terminal,
Series 1560, Male,
with Selective
1.27µm Select Gold
(Au) Plated Brass
Contact, 18-24 AWG,
Bag Packaged
1.57mm Diameter, 2066118
Standard .062" Pin
and Socket Crimp
Terminal, Series
1560, Male, with
Selective Gold
(Au) Plated Brass
Contact, Tin/Lead
Plated Crimp Area,
18-24 AWG, Reel
1.57mm Diameter, 2066119
Standard .062" Pin
and Socket Crimp
Terminal, Series
1560, Male, with
Selective Gold
(Au) Plated Brass

Contact, Tin/Lead
Plated Crimp Area,
18-24 AWG, Bag
1.57mm Diameter, 2066122
Standard .062"
Pin and Socket
PC Tail Terminal,
Series 1778, Male,
with Selective Gold
(Au) Plated Brass
Contact, Bag
1.57mm Diameter, 2066130
Standard .062" Pin
and Socket Crimp
Terminal, Series
1854, Male, with
Gold (Au) Plated
Brass Contact, 24-30
AWG, Reel
1.57mm Diameter, 2066135
Standard .062" Pin
and Socket Crimp
Terminal, Series
1854, Male, with
Gold (Au) Plated
Brass Contact, 24-30
AWG, Bag
1.57mm Diameter, 2066138
Standard .062" Pin
and Socket Crimp
Terminal, Series
1854, Male, with
Selective Gold
(Au) Plated Brass
Contact, 24-30 AWG,
Reel
1.57mm Diameter, 2066139
Standard .062" Pin
and Socket Crimp
Terminal, Series
1854, Male, with
Selective Gold
(Au) Plated Brass
Contact, 24-30 AWG,
Bag
1.57mm Diameter, 2066143
Standard .062" Pin
and Socket Crimp
Terminal, Series
1854, Male, with
Selective Gold
(Au) Plated Brass
Contact, Tin (Sn)
Plated Crimp Area,
24-30 AWG, Reel
1.57mm Diameter, 2066144
Standard .062" Pin
and Socket Crimp
Terminal, Series
1854, Male, with
Selective Gold
(Au) Plated Brass
Contact, Tin (Sn)
Plated Crimp Area,
24-30 AWG, Bag

1.57mm Diameter, [2067103](#)
Standard .062" Pin
and Socket PC Tail
Terminal, Series
1779, Female,
with 2.54µm Tin
(Sn) Plated Brass
Contact, Bag
Packaged

1.57mm Diameter, [2067104](#)
Standard .062" Pin
and Socket PC Tail
Terminal, Series
1779, Female,
with .76µm Selective
Gold (Au) Plated
Brass Contact, Bag
Packaged

1.57mm Diameter, [2068103](#)
Standard .062" Pin
and Socket PC Tail
Terminal, Series
1778, Male, with Tin
(Sn) Plated Brass
Contact, Bag

MLX Crimp Terminal [2082008](#)
42023, 14-20 AWG,
Bag Selective Gold
(Au)

2.36mm Diameter, [2091102](#)
Standard .093" Pin
and Socket Crimp
Terminal, Series
1189, Female, with
Tin (Sn) Plated Brass
Contact, 14-20 AWG,
Reel

2.36mm Diameter, [2091104](#)
Standard .093" Pin
and Socket Crimp
Terminal, Series
1189, Female, with
Tin (Sn) Plated Brass
Contact, 14-20 AWG,
Bag

2.36mm Diameter, [2091117](#)
Standard .093" Pin
and Socket Crimp
Terminal, Series
1381, Female, with
Tin (Sn) Plated Brass
Contact, 18-22 AWG,
Reel

2.36mm Diameter, [2091119](#)
Standard .093" Pin
and Socket Crimp
Terminal, Series
1381, Female, with
Tin (Sn) Plated Brass
Contact, 18-22 AWG,
Bag

2.36mm Diameter, [2091122](#)
Standard .093" Pin
and Socket Crimp
Terminal, Series

2273, Female, with
Tin (Sn) Plated
Contact, Low
Engagement Force,
18-22 AWG, Reel
2.36mm Diameter, 2091123
Standard .093" Pin
and Socket Crimp
Terminal, Series
2273, Female, with
Tin (Sn) Plated
Contact, Low
Engagement Force,
18-22 AWG, Bag
2.36mm Diameter, 2091134
Standard .093" Pin
and Socket PC Tail
Terminal, Series
1377, Female, with
Tin (Sn) Plated
Contact, Bag
2.36mm Diameter, 2091155
Standard .093" Pin
and Socket Crimp
Terminal, Series
41483, Female, with
Tin (Sn) Plated Brass
Contact, 14-18 AWG
with Large Insulation
Diameter, Chain
2.36mm Diameter, 2091205
Standard .093" Pin
and Socket Crimp
Terminal, Series
4550, Female, with
Tin (Sn) Plated
Phosphor Bronze
Contact, 14-20 AWG,
Reel
2.36mm Diameter, 2091206
Standard .093" Pin
and Socket Crimp
Terminal, Series
4550, Female, with
Tin (Sn) Plated
Phosphor Bronze
Contact, 14-20 AWG,
Bag
2.36mm Diameter, 2091615
Standard .093"
Pin and Socket
Crimp Terminal,
Series 42477,
Female, with Tin
(Sn) Plated Contact,
High Current/Low
Engagement Force,
14-18 AWG, Reel
2.36mm Diameter, 2092101
Standard .093" Pin
and Socket Crimp
Terminal, Series
1190, Male, with Tin
(Sn) Plated Brass

Contact, 14-20 AWG,
Reel
2.36mm Diameter, [2092103](#)
Standard .093" Pin
and Socket Crimp
Terminal, Series
1190, Male, with Tin
(Sn) Plated Brass
Contact, 14-20 AWG,
Bag
2.36mm Diameter, [2092116](#)
Standard .093" Pin
and Socket Crimp
Terminal, Series
1380, Male, with Tin
(Sn) Plated Brass
Contact, 18-22 AWG,
Reel
2.36mm Diameter, [2092117](#)
Standard .093" Pin
and Socket Crimp
Terminal, Series
1380, Male, with Tin
(Sn) Plated Brass
Contact, without
Dents, 18-22 AWG,
Reel
2.36mm Diameter, [2092118](#)
Standard .093" Pin
and Socket Crimp
Terminal, Series
1380, Male, with Tin
(Sn) Plated Brass
Contact, 18-22 AWG,
Bag
2.36mm Diameter, [2092133](#)
Standard .093" Pin
and Socket PC Tail
Terminal, Series
1376, Male, with Tin/
Lead (Sn/Pb) Plated
Contact, With Detent,
Bag Packaged
2.36mm Diameter, [2092134](#)
Standard .093" Pin
and Socket PC Tail
Terminal, Series
1376, Male, with Tin
(Sn) Plated Contact,
Without Detent, Bag
Packaged
2.36mm Diameter, [2092166](#)
Standard .093" Pin
and Socket Crimp
Terminal, Series
4549, Male, with
Tin (Sn) Plated
Phosphor Bronze
Contact, 14-20 AWG,
Reel Packaged
2.36mm Diameter, [2092167](#)
Standard .093" Pin
and Socket Crimp
Terminal, Series
4549, Male, with

Tin (Sn) Plated
Phosphor Bronze
Contact, 14-20 AWG,
Bag Packaged
2.36mm Diameter, 2092170
Standard .093" Pin
and Socket Crimp
Terminal, Series
1190, Male, with Tin
(Sn) Plated Brass
Contact, 14-18 AWG,
Large Insulation
Crimp, Reel
2.36mm Diameter, 2092171
Standard .093" Pin
and Socket Crimp
Terminal, Series
1190, Male, with Tin
(Sn) Plated Brass
Contact, 14-18 AWG,
Large Insulation
Crimp, Bag
2.36mm Diameter, 2092611
Standard .093" Pin
and Socket Crimp
Terminal, Series
42478, Male, with Tin
(Sn) Plated Contact,
High Current/Low
Engagement Force,
14-18 AWG, Reel
2.36mm Diameter, 2095100
Standard .093" Pin
and Socket Crimp
Terminal, Series
1189, Female, with
Gold (Au) Plated
Brass Contact, 14-20
AWG, Reel
2.36mm Diameter, 2095101
Standard .093" Pin
and Socket Crimp
Terminal, Series
1190, Male, with Tin
(Sn) Plated Brass
Contact, 14-20 AWG,
Chain
2.36mm Diameter, 2095102
Standard .093" Pin
and Socket Crimp
Terminal, Series
1189, Female, with
Selective Gold
(Au) Plated Brass
Contact, 14-20 AWG,
Reel
2.36mm Diameter, 2095106
Standard .093" Pin
and Socket Crimp
Terminal, Series
1189, Female, with
Gold (Au) Plated
Brass Contact, 14-20
AWG, Bag

2.36mm Diameter, [2095111](#)
Standard .093" Pin
and Socket Crimp
Terminal, Series
1189, Female, with
Selective Gold
(Au) Plated Brass
Contact, 14-20 AWG,
Bag

2.36mm Diameter, [2095130](#)
Standard .093" Pin
and Socket Crimp
Terminal, Series
1381, Female, with
Selective Gold
(Au) Plated Brass
Contact, 18-22 AWG,
Reel

2.36mm Diameter, [2095132](#)
Standard .093" Pin
and Socket PC Tail
Terminal, Series
1377, Female, with
Gold (Au) Plated
Contact, Bag

2.36mm Diameter, [2095133](#)
Standard .093" Pin
and Socket Crimp
Terminal, Series
1381, Female, with
Selective Gold
(Au) Plated Brass
Contact, 18-22 AWG,
Bag

2.36mm Diameter, [2095142](#)
Standard .093" Pin
and Socket Crimp
Terminal, Series
1381, Female, with
Gold (Au) Plated
Brass Contact, 18-22
AWG, Bag

2.36mm Diameter, [2095143](#)
Standard .093" Pin
and Socket Crimp
Terminal, Series
1381, Female, with
Gold (Au) Plated
Brass Contact, 18-22
AWG, Reel

2.36mm Diameter, [2095169](#)
Standard .093" Pin
and Socket Crimp
Terminal, Series
4550, Female, with
Gold (Au) Plated
Phosphor Bronze
Contact, 14-20 AWG,
Reel

2.36mm Diameter, [2095170](#)
Standard .093" Pin
and Socket Crimp
Terminal, Series
4550, Female, with
Gold (Au) Plated

Phosphor Bronze
Contact, 14-20 AWG,
Bag
2.36mm Diameter, 2096100
Standard .093" Pin
and Socket Crimp
Terminal, Series
1190, Male, with
Gold (Au) Plated
Brass Contact, 14-20
AWG, Reel
2.36mm Diameter, 2096101
Standard .093" Pin
and Socket Crimp
Terminal, Series
1190, Male, with
Selective Gold
(Au) Plated Brass
Contact, 14-20 AWG,
Reel
2.36mm Diameter, 2096102
Standard .093" Pin
and Socket Crimp
Terminal, Series
1189, Female, with
Tin (Sn) Plated Brass
Contact, 14-20 AWG,
Reel
2.36mm Diameter, 2096106
Standard .093" Pin
and Socket Crimp
Terminal, Series
1190, Male, with
Gold (Au) Plated
Brass Contact, 14-20
AWG, Bag
2.36mm Diameter, 2096110
Standard .093" Pin
and Socket Crimp
Terminal, Series
1190, Male, with
Selective Gold
(Au) Plated Brass
Contact, 14-20 AWG,
Bag
2.36mm Diameter, 2096122
Standard .093" Pin
and Socket Crimp
Terminal, Series
1380, Male, with
Gold (Au) Plated
Brass Contact, 18-22
AWG, Reel
2.36mm Diameter, 2096123
Standard .093" Pin
and Socket Crimp
Terminal, Series
1380, Male, with
Gold (Au) Plated
Brass Contact, 18-22
AWG, Bag
2.36mm Diameter, 2096125
Standard .093" Pin
and Socket Crimp
Terminal, Series

1380, Male, with
Selective Gold
(Au) Plated Brass
Contact, 18-22 AWG,
Reel

2.36mm Diameter, 2096126

Standard .093" Pin
and Socket Crimp
Terminal, Series

1380, Male, with
Selective Gold
(Au) Plated Brass
Contact, 18-22 AWG,
Bag

2.36mm Diameter, 2096132

Standard .093"
Pin and Socket
PC Tail Terminal,

Series 1376, Male,
with Gold (Au)
Plated Contact,
Without Detent, Bag
Packaged

2.36mm Diameter, 2098103

Standard .093" Pin
and Socket Crimp
Grounding Terminal,
Series 1973, Male,
with Tin (Sn) Plated
Brass Contact, 18-22
AWG, Reel

2.36mm Diameter, 2098104

Standard .093" Pin
and Socket Crimp
Grounding Terminal,
Series 1973, Male,
with Tin (Sn) Plated
Brass Contact, 18-22
AWG, Bag

2.36mm Diameter, 2098108

Standard .093" Pin
and Socket Crimp
Grounding Terminal,
Series 1973, Male,
with Tin (Sn) Plated
Brass Contact, 14-18
AWG, Reel

2.36mm Diameter, 2098109

Standard .093" Pin
and Socket Crimp
Grounding Terminal,
Series 1973, Male,
with Tin (Sn) Plated
Brass Contact, 14-18
AWG, Bag

Mini-Fit Jr. 3044052

Receptacle Housing,
Single Row, 5
Circuits, UL 94V-2,
Natural

1.57mm Diameter 3061011

Standard .062"
Pin and Socket
Receptacle Housing,
1 Circuits, Natural

1.57mm Diameter 3061022
Standard .062"
Pin and Socket
Receptacle Housing,
2 Circuits, with Pre-
bent Mounting Ears,
Natural

1.57mm Diameter 3061023
Standard .062"
Pin and Socket
Receptacle Housing,
2 Circuits, without
Mounting Ears,
Natural

1.57mm Diameter 3061031
Standard .062"
Pin and Socket
Receptacle Housing,
3 Circuits, with
Standard Mounting
Ears

1.57mm Diameter 3061032
Standard .062"
Pin and Socket
Receptacle Housing,
3 Circuits, without
Mounting Ears,
Natural

1.57mm Diameter 3061038
Standard .062"
Pin and Socket
Receptacle Housing,
3 Circuits, with Pre-
bent Mounting Ears,
Natural

1.57mm Diameter 3061041
Standard .062"
Pin and Socket
Receptacle Housing,
4 Circuits, with
Standard Mounting
Ears

1.57mm Diameter 3061042
Standard .062"
Pin and Socket
Receptacle Housing,
4 Circuits, without
Mounting Ears,
Natural

1.57mm Diameter 3061044
Standard .062"
Pin and Socket
Receptacle Housing,
Dual Row, without
Mounting Ears, PA
Polyamide Nylon 6/6,
UL 94V-2, 4 Circuits,
Natural

1.57mm Diameter 3061062
Standard .062"
Pin and Socket
Receptacle Housing,
6 Circuits, without
Mounting Ears,
Natural

1.57mm Diameter Standard .062" Pin and Socket Receptacle Housing, 9 Circuits, without Mounting Ears, Natural	<u>3061092</u>
1.57mm Diameter Standard .062" Pin and Socket Receptacle Housing, 12 Circuits, with Standard Mounting Ears, Natural	<u>3061121</u>
1.57mm Diameter Standard .062" Pin and Socket Receptacle Housing, 12 Circuits, without Mounting Ears, Natural	<u>3061122</u>
1.57mm Diameter Standard .062" Pin and Socket Plug Housing, 1 Circuits, Natural	<u>3062011</u>
1.57mm Diameter Standard .062" Pin and Socket Plug Housing, 2 Circuits, without Mounting Ears, Natural	<u>3062023</u>
1.57mm Diameter Standard .062" Pin and Socket Plug Housing, 2 Circuits, with Pre- bent Mounting Ears, Natural	<u>3062024</u>
1.57mm Diameter Standard .062" Pin and Socket Plug Housing, 3 Circuits, with Standard Mounting Ears, Natural	<u>3062031</u>
1.57mm Diameter Standard .062" Pin and Socket Plug Housing, 3 Circuits, without Mounting Ears, Natural	<u>3062032</u>
1.57mm Diameter Standard .062" Pin and Socket Plug Housing, 3 Circuits, with Pre- bent Mounting Ears, Natural	<u>3062033</u>
1.57mm Diameter Standard .062" Pin and Socket Plug Housing, 4 Circuits, with Standard Mounting Ears	<u>3062041</u>

1.57mm Diameter Standard .062" Pin and Socket Plug Housing, 4 Circuits, without Mounting Ears, Natural	<u>3062042</u>
1.57mm Diameter Standard .062" Pin and Socket Plug Housing, Dual Row, without Mounting Ears, PA Polyamide Nylon 6/6, UL 94V-2, 4 Circuits, Natural	<u>3062044</u>
1.57mm Diameter Standard .062" Pin and Socket Plug Housing, 6 Circuits, without Mounting Ears, Natural	<u>3062061</u>
1.57mm Diameter Standard .062" Pin and Socket Plug Housing, 9 Circuits, without Mounting Ears, Natural	<u>3062092</u>
1.57mm Diameter Standard .062" Pin and Socket Plug Housing, 12 Circuits, with Pre- bent Mounting Ears, Natural	<u>3062121</u>
1.57mm Diameter Standard .062" Pin and Socket Plug Housing, 12 Circuits, without Mounting Ears, Natural	<u>3062122</u>
1.57mm Diameter Standard .062" Pin and Socket Receptacle Housing, 2 Circuits, without Mounting Ears, Black	<u>3066023</u>
1.57mm Diameter Standard .062" Pin and Socket Receptacle Housing, 6 Circuits, without Mounting Ears, Black	<u>3066062</u>
1.57mm Diameter Standard .062" Pin and Socket Plug Housing, Black, 2 Circuits, without Mounting Ears, Black	<u>3067023</u>
1.57mm Diameter Standard .062" Pin and Socket Plug Housing, Dual Row, without Mounting Ears, PA Polyamide Nylon 6/6, UL 94V-2, 4 Circuits, Black	<u>3067044</u>

1.57mm Diameter Standard .062" Pin and Socket Plug Housing, 6 Circuits, without Mounting Ears, Black	<u>3067061</u>
2.36mm Diameter Standard .093" Pin and Socket Receptacle Housing, 1 Circuit, Friction Lock, Natural	<u>3091011</u>
2.36mm Diameter Standard .093" Pin and Socket Receptacle Housing, 2 Circuits, without Mounting Ears, with Ramps, Natural	<u>3091022</u>
2.36mm Diameter Standard .093" Pin and Socket Receptacle Housing, 2 Circuits, with Pre- bent Mounting Ears, with Ramps, Natural	<u>3091027</u>
2.36mm Diameter Standard Receptacle Housing, 3 Circuit, Natural	<u>3091030</u>
2.36mm Diameter Standard .093" Pin and Socket Receptacle Housing, 3 Circuits, Single Row, Natural	<u>3091031</u>
2.36mm Diameter Standard .093" Pin and Socket Receptacle Housing, 3 Circuits, Single Row, Natural	<u>3091032</u>
2.36mm Diameter Standard .093" Pin and Socket Receptacle Housing, 3 Circuits, Single Row, Free-Hanging, without Passive Lock Ramps, Natural	<u>3091033</u>
2.36mm Diameter Standard .093" Pin and Socket Receptacle Housing, 4 Circuits, Single Row, Natural	<u>3091041</u>
2.36mm Diameter Standard .093" Pin and Socket Receptacle Housing, 4 Circuits, Single Row, Natural	<u>3091042</u>
2.36mm Diameter Standard .093" Pin and Socket	<u>3091049</u>

Receptacle Housing,
4 Circuits, Dual Row,
without Mounting
Ears, Natural
2.36mm Diameter 3091061
Standard .093"
Pin and Socket

Receptacle Housing,
6 Circuits, Dual Row,
Natural
2.36mm Diameter 3091062
Standard .093"
Pin and Socket

Receptacle Housing,
6 Circuits, Dual Row,
Natural
2.36mm Diameter 3091063
Standard .093"
Pin and Socket

Receptacle Housing,
6 Circuits, Dual Row,
without Panel Mount
Ears, without Friction
Lock Ramp
2.36mm Diameter 3091064
Standard .093"
Pin and Socket

Receptacle Housing,
6 Circuits, Dual Row,
Natural
2.36mm Diameter 3091081
Standard .093"
Pin and Socket

Receptacle Housing,
3 Circuits, Single
Row, Natural
2.36mm Diameter 3091091
Standard .093"
Pin and Socket

Receptacle
Housings, 9 Circuits,
3 Rows, Natural
2.36mm Diameter 3091092
Standard .093"
Pin and Socket

Receptacle
Housings, 9 Circuits,
3 Rows, with Panel
Mount Ears, without
Passive Lock Ramp
2.36mm Diameter 3091093
Standard .093"
Pin and Socket

Receptacle
Housings, 9 Circuits,
3 Rows, without
Panel Mount Ears,
without Passive Lock
Ramp
2.36mm Diameter 3091094
Standard .093"
Pin and Socket

Receptacle
Housings, 9 Circuits,
3 Rows, Natural

2.36mm Diameter 3091121
Standard .093"
Pin and Socket
Receptacle Housing,
12 Circuits, 3 Rows,
Panel Mountable,
without Passive
Locking Ramps

2.36mm Diameter 3091125
Standard .093"
Pin and Socket
Receptacle Housing,
12 Circuits, 3 Rows,
Natural

2.36mm Diameter 3091126
Standard .093"
Pin and Socket
Receptacle Housing,
12 Circuits, 3 Rows,
Natural

2.36mm Diameter 3091151
Standard .093"
Pin and Socket
Receptacle Housing,
15 Circuits, 3 Rows,
with Pre-Bent
Mounting Ears,
without Lock Ramps

2.36mm Diameter 3091152
Standard .093"
Pin and Socket
Receptacle Housing,
15 Circuits, 3 Rows,
without Mounting
Ears, without Lock
Ramps

2.36mm Diameter 3091153
Standard .093"
Pin and Socket
Receptacle Housing,
15 Circuits, 3 Rows,
with Pre-bent
Mounting Ears, with
Lock Ramps

2.36mm Diameter 3091157
Standard .093"
Pin and Socket
Receptacle Housing,
15 Circuits, 3 Rows,
without Mounting
Ears, with Lock
Ramps

2.36mm Diameter 3091161
Standard .093"
Pin and Socket
Receptacle Housing
without Mounting
Ears, Positive Lock,
2 Circuits

2.36mm Diameter 3092011
Standard .093" Pin
and Socket Plug
Housing, 1 Circuit,
Friction Lock, Natural

2.36mm Diameter Standard .093" Pin and Socket Plug Housing, 2 Circuits, with Standard Mounting Ears, Natural	<u>3092021</u>
2.36mm Diameter Standard .093" Pin and Socket Plug Housing, 2 Circuits, without Mounting Ears, Natural	<u>3092022</u>
2.36mm Diameter Standard .093" Pin and Socket Plug Housing, 3 Circuits, Single Row, Natural	<u>3092031</u>
2.36mm Diameter Standard .093" Pin and Socket Plug Housing, 3 Circuits, Single Row, Natural	<u>3092032</u>
2.36mm Diameter Standard .093" Pin and Socket Plug Housing, 4 Circuits, Single Row	<u>3092041</u>
2.36mm Diameter Standard .093" Pin and Socket Plug Housing, 4 Circuits, Single Row	<u>3092042</u>
2.36mm Diameter Standard .093" Pin and Socket Plug Housing, 4 Circuits, Dual Row, without Mounting Ears, Natural	<u>3092049</u>
2.36mm Diameter Standard .093" Pin and Socket Plug Housing, 6 Circuits, Dual Row	<u>3092061</u>
2.36mm Diameter Standard .093" Pin and Socket Plug Housing, 6 Circuits, Dual Row	<u>3092062</u>
2.36mm Diameter Standard .093" Pin and Socket Plug Housings, 9 Circuits, 3 Rows	<u>3092092</u>
2.36mm Diameter Standard .093" Pin and Socket Plug Housing, 12 Circuits, 3 Rows	<u>3092121</u>
2.36mm Diameter Standard .093" Pin and Socket Plug Housing, 12 Circuits, 3 Rows	<u>3092122</u>

2.36mm Diameter Standard .093" Pin and Socket Plug Housing, 15 Circuits, 3 Rows, without Mounting Ears, with Pull Tabs, without Lock Windows	<u>3092151</u>
2.36mm Diameter Standard .093" Pin and Socket Plug Housing, 15 Circuits, 3 Rows, with Pre- Bent Mounting Ears, without Pull Tabs, with Lock Windows	<u>3092159</u>
2.36mm Diameter Standard .093" Pin and Socket Plug Housing without Mounting Ears, Positive Lock, 2 Circuits	<u>3092161</u>
2.36mm Diameter Standard .093" Pin and Socket Receptacle Housing, 2 Circuits, with Pre- bent Mounting Ears, with Ramps, Black	<u>3096021</u>
2.36mm Diameter Standard .093" Pin and Socket Plug Housing, 2 Circuits, without Mounting Ears, Black	<u>3097022</u>
2.36mm Diameter Standard .093" Pin and Socket Plug Housing, 2 Circuits, without Mounting Ears, Red	<u>3097024</u>
2.36mm Diameter Standard .093" Pin and Socket Plug Housing, 3 Circuits, Single Row, Black	<u>3097032</u>
3.18mm Diameter, HCS125, Pin and Socket Receptacle Housing, 2 Circuits, Single Row, with and without Panel Mount Ears	<u>3121022</u>
3.18mm Diameter, HCS125, Pin and Socket Receptacle Housing, Single Row, 2 Circuits, Natural (Translucent)	<u>3121026</u>
3.18mm Diameter, HCS125, Pin and Socket Receptacle Housing, Single Row, without Panel	<u>3121036</u>

Mount Ears, 3
Circuits, Natural,
Nylon 94V-2
3.18mm Diameter, 3121046
HCS125, Pin and
Socket Receptacle
Housing, Single
Row, 4 Circuits,
Natural (Translucent)
3.18mm Diameter, 3122022
HCS125, Pin
and Socket Plug
Housing, 2 Circuits,
Single Row, with and
without Panel Mount
Ears
3.18mm Diameter, 3122025
HCS125, Pin
and Socket Plug
Housing, Single
Row, with Panel
Mount Ears, 2
Circuits, Natural
(Translucent)
3.18mm Diameter, 3122026
HCS125, Pin
and Socket Plug
Housing, Single
Row, without Panel
Mount Ears, 2
Circuits, Natural
(Translucent)
3.18mm Diameter, 3122035
HCS125, Pin
and Socket Plug
Housing, Single
Row, with Panel
Mount Ears, 3
Circuits, Natural,
Nylon 94V-2
3.18mm Diameter, 3122036
HCS125, Pin
and Socket Plug
Housing, Single
Row, without Panel
Mount Ears, 3
Circuits, Natural,
Nylon 94V-2
3.18mm Diameter, 3122045
HCS125, Pin
and Socket Plug
Housing, Single
Row, with Panel
Mount Ears, 4
Circuits, Natural
(Translucent)
3.18mm Diameter, 3122046
HCS125, Pin
and Socket Plug
Housing, Single
Row, without Panel
Mount Ears, 4
Circuits, Natural
(Translucent)

Crimp Terminal 2482, 10-16 AWG, Reel	<u>5121004</u>
Crimp Terminal 2482, 10-16 AWG, Bag	<u>5121005</u>
Crimp Terminal 2482, 10-16 AWG, Reel	<u>5121006</u>
Crimp Terminal 2482, 10-16 AWG, Reel	<u>5121008</u>
Crimp Terminal 6482, 14-18 AWG, Reel	<u>5121104</u>
Flat Blade Appliance Motor Switch Crimp Housing, 10 Circuits	<u>6021103</u>
Flat Blade Appliance Water Valve Crimp Housing, 3 Circuit, Natural	<u>6022030</u>
Flat Blade Appliance Defrost Timer Crimp Housing, 4 Circuit, 4 Circuits	<u>6023042</u>
Flat Blade Appliance Motor Switch Crimp Housing, 10 Circuit, 10 Circuits	<u>6023103</u>
Flat Blade Appliance Dryer Motor Crimp Housing, 10 Circuit	<u>6023104</u>
KK 254 Cat Ear Crimp Terminal 4809, 22-30 AWG, Hot Tin Dip, 2.20mm Insulation Crimp, Reel	<u>8500030</u>
KK 254 Cat Ear Crimp Terminal 4809, 22-30 AWG, Hot Tin Dip, Reel	<u>8500031</u>
KK 254 Cat Ear Crimp Terminal 4809, 22-30 AWG, Hot Tin Dip, Bag	<u>8500032</u>
KK 396 Crimp Terminal 2478, 18-24 AWG, Bag, Brass Tin (Sn)	<u>8500106</u>
KK 254 Crimp Terminal, 22-30 AWG, Hot Tin (Sn) Dip Plating	<u>8500113</u>
KK 254 Crimp Terminal, 22-30 AWG, Bag, Hot Tin (Sn) Dip Plating	<u>8500114</u>
KK 254 Crimp Terminal 4809, 22-30 AWG, Hot Tin Dip, Reel	<u>8500135</u>

KK 254 Crimp	<u>8500136</u>
Terminal 4809, 22-30	
AWG, Tin, Bag	
KK 254 Crimp	<u>8500159</u>
Terminal, 22-30	
AWG, Reel, Tin (Sn)	
Plating, Nickel (Ni)	
Under Plating	
KK 254 Crimp	<u>8500160</u>
Terminal, 22-30	
AWG, Bag, Tin (Sn)	
Plating, Nickel (Ni)	
Under Plating	
KK 100 Crp Term	<u>8510101</u>
Std 22-30 Awg Unplt	
KK 254 Crimp	<u>8510108</u>
Terminal, 22-30	
AWG, Reel, Tin (Sn),	
Nickel (Ni) Under	
Plating	
KK 396 Crimp	<u>8520072</u>
Terminal 2478,	
18-24 AWG, Bag,	
Phosphor Bronze,	
Tin (Sn)	
KK 254 Crimp	<u>8520101</u>
Terminal 6459,	
22-30 AWG, Reel,	
Phosphor Bronze Tin	
(Sn)	
KK Trifurcon Crimp	<u>8520112</u>
Terminal 6838,	
18-20 AWG, Reel,	
Phosphor Bronze	
Tin(Sn)	
KK Trifurcon Crimp	<u>8520113</u>
Terminal 6838,	
18-20 AWG, Bag,	
Phosphor Bronze Tin	
(Sn)	
KK .100 CRIMP	<u>8520118</u>
TERMINAL 100MI	
MATTE TIN	
KK 254 Crimp	<u>8520123</u>
Terminal 6459,	
22-30 AWG, Bag,	
Phosphor Bronze Tin	
(Sn)	
KK 254 Crimp	<u>8550101</u>
Terminal, 22-30	
AWG, Reel,	
Selective Gold (Au),	
Nickel (Ni) Under	
Plating	
KK 254 Crimp	<u>8550102</u>
Terminal, 22-30	
AWG, Bag, Selective	
Gold (Au), Nickel (Ni)	
Under Plating	
KK 254 Crimp	<u>8550110</u>
Terminal 4809, 22-30	
AWG, Selective Gold	
(Au), Reel	
KK 254 Crimp	<u>8550111</u>
Terminal 4809, 22-30	

AWG, Selective Gold (Au), Bag	
KK 254 Cat Ear	<u>8550112</u>
Crimp Terminal 4809, 22-30 AWG, Selective Gold, Reel	
KK 254 Crimp	<u>8550130</u>
Terminal, 22-30 AWG, Reel, Selective Gold (Au), Nickel (Ni) Under Plating	
KK 254 Crimp	<u>8550131</u>
Terminal, 22-30 AWG, Bag, Selective Gold (Au), Nickel (Ni) Under Plating	
KK 254 Crimp	<u>8560109</u>
Terminal, 22-30 AWG, Reel, Gold (Au), Nickel (Ni) Under Plating	
KK 254 Crimp	<u>8560110</u>
Terminal, 22-30 AWG, Bag, Gold (Au), Nickel (Ni) Under Plating	
KK 254 Crimp	<u>8560115</u>
Terminal 4809, 22-30 AWG, Selective Gold (Au), Bag	
KK 254 Crimp	<u>8560120</u>
Terminal 4809, 22-30 AWG, Selective Gold (Au), Reel	
KK 396 Crimp	<u>8650116</u>
Terminal 2578, 22-26 AWG, Reel, Phosphor Bronze, 0.38 μ m Selective Gold (Au)	
KK Trifurcon Crimp	<u>8650122</u>
Terminal 7258, 22-26 AWG, Bag, Phosphor Bronze Selective Gold (Au)	
KK 100 Crp Term	<u>8650801</u>
Std 22-30 Awg SGold	
KK 100 Crp Term	<u>8650811</u>
Std 22-30 Awg SGold	
KK 100 Crp Term	<u>8650812</u>
Std 22-30 Awg SGold	
KK 254 Crimp	<u>8650813</u>
Terminal 6459, 22-30 AWG, Reel, Phosphor Bronze Gold (Au)	
KK 254 Crimp	<u>8650814</u>
Terminal 6459, 22-30 AWG, Bag, Phosphor Bronze Gold (Au)	

KK 254 Crimp Terminal 6459, 22-30 AWG, Reel, Phosphor Bronze Selective Gold (Au)	<u>8650815</u>
KK 254 Crimp Terminal 6459, 22-30 AWG, Bag, Phosphor Bronze Selective Gold (Au)	<u>8650816</u>
KK 100 Crp Term Std 22-30 Awg SGold	<u>8650817</u>
3.96 and 5.08mm Pitch KK Cat Ear Crimp Terminal, Female, 18-24 AWG, Reel	<u>8700012</u>
3.96mm Pitch KK Crimp Housing, Edge Card Connector, Single-Sided, Polarized, Positive Lock, with Probe Hole, 3 Circuits	<u>9011036</u>
KK 396 PC Board Connector, Right Angle, Polyester Connector, 5.00µm Tin (Sn), 2 Circuits	<u>9481024</u>
KK 396 PC Board Connector, Right Angle, Polyester Connector, 5.00µm Tin (Sn), 2 Circuits	<u>9481104</u>
KK 396 PC Board Connector, Right Angle, Polyester Connector, 5.00µm Tin (Sn), 10 Circuits	<u>9481105</u>
KK 396 PC Board Connector, Top Entry, Polyester Connector, Gold (Au) Selective, 10 Circuits	<u>9483024</u>
KK 396 PC Board Connector, Bottom Entry, Polyester Connector, Gold (Au) Selective, 2 Circuits	<u>9483025</u>
KK 396 PC Board Connector, Right Angle, Polyester Connector, Gold (Au) Selective, 2 Circuits	<u>9483026</u>
KK 396 PC Board Connector, Top Entry, Polyester Connector, Gold (Au) Selective, 2 Circuits	<u>9483104</u>
KK 396 PC Board Connector, Bottom Entry, Polyester Connector, Gold (Au) Selective, 10 Circuits	<u>9483105</u>
KK 396 PC Board Connector, Right-Angle, Polyester Connector, Gold (Au) Selective, 10 Circuits	<u>9483105</u>

KK 396 PC Board 9483106
Connector, Top
Entry, Polyester
Connector, Gold (Au)
Selective, 10 Circuits

KK 396 PC Board 9484028
Connector, Top
Entry, Polyester
Connector, 5.00µm
Tin (Sn), 2 Circuits

KK 396 PC Board 9484029
Connector, Bottom
Entry, Polyester
Connector, 5.00µm
Tin (Sn), 2 Circuits

KK 396 PC Board 9484039
Connector, Bottom
Entry, Polyester
Connector, 5.00µm
Tin (Sn), 3 Circuits

KK 396 PC Board 9484099
Connector, Bottom
Entry, Polyester
Connector, 5.00µm
Tin (Sn), 9 Circuits

KK 396 PC Board 9484108
Connector, Top
Entry, Polyester
Connector, 5.00µm
Tin (Sn), 10 Circuits

KK 396 PC Board 9484109
Connector, Bottom
Entry, Polyester
Connector, 5.00µm
Tin (Sn), 10 Circuits

KK 396 PC Board 9484118
Connector, Top
Entry, Polyester
Connector, 5.00µm
Tin (Sn), 11 Circuits

KK 396 PC Board 9484149
Connector, Bottom
Entry, Polyester
Connector, 5.00µm
Tin (Sn), 14 Circuits

3.96mm Pitch SPOX 9501021
Crimp Housing,
Female, with Friction
Ramp, 2 Circuits,
Natural

3.96mm Pitch SPOX 9501023
Crimp Housing,
Female, with Friction
Ramp and Void, 2
Circuits, Natural

3.96mm Pitch SPOX 9501031
Crimp Housing,
Female, with Friction
Ramp, 3 Circuits,
Natural

3.96mm Pitch SPOX 9501033
Crimp Housing,
Female, with Friction
Ramp and Void, 3
Circuits, Natural

3.96mm Pitch SPOX [9501041](#)
Crimp Housing,
Female, with Friction
Ramp, 4 Circuits,
Natural

3.96mm Pitch SPOX [9501043](#)
Crimp Housing,
Female, with Friction
Ramp and Void, 4
Circuits, Natural

3.96mm Pitch SPOX [9501051](#)
Crimp Housing,
Female, with Friction
Ramp, 5 Circuits,
Natural

3.96mm Pitch SPOX [9501053](#)
Crimp Housing,
Female, with Friction
Ramp and Void, 5
Circuits, Natural

3.96mm Pitch SPOX [9501061](#)
Crimp Housing,
Female, with Friction
Ramp, 6 Circuits,
Natural

3.96mm Pitch SPOX [9501063](#)
Crimp Housing,
Female, with Friction
Ramp and Void, 6
Circuits, Natural

3.96mm Pitch SPOX [9501071](#)
Crimp Housing,
Female, with Friction
Ramp, 7 Circuits,
Natural

3.96mm Pitch SPOX [9501073](#)
Crimp Housing,
Female, with Friction
Ramp and Void, 7
Circuits, Natural

3.96mm Pitch SPOX [9501081](#)
Crimp Housing,
Female, with Friction
Ramp, 8 Circuits,
Natural

3.96mm Pitch SPOX [9501083](#)
Crimp Housing,
Female, with Friction
Ramp and Void, 8
Circuits, Natural

3.96mm Pitch SPOX [9501091](#)
Crimp Housing,
Female, with Friction
Ramp, 9 Circuits,
Natural

3.96mm Pitch SPOX [9501101](#)
Crimp Housing,
Female, with Friction
Ramp, 10 Circuits,
Natural

3.96mm Pitch SPOX [9501103](#)
Crimp Housing,
Female, with Friction
Ramp and Void, 10
Circuits, Natural

3.96mm Pitch SPOX [9501111](#)
Crimp Housing,
Female, with Friction
Ramp, 11 Circuits,
Natural

3.96mm Pitch SPOX [9501113](#)
Crimp Housing,
Female, with Friction
Ramp and Void, 11
Circuits, Natural

3.96mm Pitch SPOX [9501121](#)
Crimp Housing,
Female, with Friction
Ramp, 12 Circuits,
Natural

KK 3.96mm Crimp [9503021](#)
Terminal Housing,
Friction Ramp, 2
Circuits, Natural

KK 3.96mm Crimp [9503031](#)
Terminal Housing,
Friction Ramp, 3
Circuits, Natural

KK 3.96mm Crimp [9503041](#)
Terminal Housing,
Friction Ramp, 4
Circuits, Natural

KK 3.96mm Crimp [9503051](#)
Terminal Housing,
Friction Ramp, 5
Circuits, Natural

KK 3.96mm Crimp [9503061](#)
Terminal Housing,
Friction Ramp, 6
Circuits, Natural

KK 3.96mm Crimp [9503071](#)
Terminal Housing,
Friction Ramp, 7
Circuits, Natural

KK 3.96mm Crimp [9503081](#)
Terminal Housing,
Friction Ramp, 8
Circuits, Natural

KK 3.96mm Crimp [9503091](#)
Terminal Housing,
Friction Ramp, 9
Circuits, Natural

KK 3.96mm Crimp [9503101](#)
Terminal Housing,
Friction Ramp, 10
Circuits, Natural

KK 3.96mm Crimp [9503111](#)
Terminal Housing,
Friction Ramp, 11
Circuits, Natural

KK 3.96mm Crimp [9503121](#)
Terminal Housing,
Friction Ramp, 12
Circuits, Natural

KK 3.96mm Crimp [9503131](#)
Terminal Housing,
Friction Ramp, 13
Circuits, Natural

KK 3.96mm Crimp [9503141](#)
Terminal Housing,

Friction Ramp, 14 Circuits, Natural KK 3.96mm Crimp Terminal Housing,	<u>9503151</u>
Friction Ramp, 15 Circuits, Natural KK 3.96mm Crimp Terminal Housing,	<u>9503161</u>
Friction Ramp, 16 Circuits, Natural KK 3.96mm Crimp Terminal Housing,	<u>9503171</u>
Friction Ramp, 17 Circuits, Natural KK 3.96mm Crimp Terminal Housing,	<u>9503181</u>
Friction Ramp, 18 Circuits, Natural KK 3.96mm Crimp Terminal Housing,	<u>9503191</u>
Friction Ramp, 19 Circuits, Natural KK 3.96mm Crimp Terminal Housing,	<u>9503201</u>
Friction Ramp, 20 Circuits, Natural KK 3.96mm Crimp Terminal Housing,	<u>9503211</u>
Friction Ramp, 21 Circuits, Natural KK 3.96mm Crimp Terminal Housing,	<u>9503221</u>
Friction Ramp, 22 Circuits, Natural KK 3.96mm Crimp Terminal Housing,	<u>9503231</u>
Friction Ramp, 23 Circuits, Natural KK 3.96mm Crimp Terminal Housing,	<u>9503241</u>
Friction Ramp, 24 Circuits, Natural KK 3.96mm Crimp Terminal Housing, 2	<u>9507021</u>
Circuits, Natural KK 3.96mm Crimp Terminal Housing, 3	<u>9507031</u>
Circuits, Natural KK 3.96mm Crimp Terminal Housing, 4	<u>9507041</u>
Circuits, Natural KK 3.96mm Crimp Terminal Housing, 5	<u>9507051</u>
Circuits, Natural KK 3.96mm Crimp Terminal Housing, 6	<u>9507061</u>
Circuits, Natural KK 3.96mm Crimp Terminal Housing, 7	<u>9507071</u>
Circuits, Natural KK 3.96mm Crimp Terminal Housing, 8	<u>9507081</u>
Circuits, Natural	

KK 3.96mm Crimp 9507091
Terminal Housing, 9
Circuits, Natural
KK 3.96mm Crimp 9507101
Terminal Housing, 10
Circuits, Natural
KK 3.96mm Crimp 9507111
Terminal Housing, 11
Circuits, Natural
KK 3.96mm Crimp 9507121
Terminal Housing, 12
Circuits, Natural
KK 3.96mm Crimp 9507131
Terminal Housing, 13
Circuits, Natural
KK 3.96mm Crimp 9507141
Terminal Housing, 14
Circuits, Natural
KK 3.96mm Crimp 9507151
Terminal Housing, 15
Circuits, Natural
KK 3.96mm Crimp 9507161
Terminal Housing, 16
Circuits, Natural
KK 3.96mm Crimp 9507171
Terminal Housing, 17
Circuits, Natural
KK 3.96mm Crimp 9507181
Terminal Housing, 18
Circuits, Natural
KK 3.96mm Crimp 9507191
Terminal Housing, 19
Circuits, Natural
KK 3.96mm Crimp 9507201
Terminal Housing, 20
Circuits, Natural
KK 3.96mm Crimp 9507211
Terminal Housing, 21
Circuits, Natural
KK 3.96mm Crimp 9507221
Terminal Housing, 22
Circuits, Natural
KK 3.96mm Crimp 9507231
Terminal Housing, 23
Circuits, Natural
KK 3.96mm Crimp 9507241
Terminal Housing, 24
Circuits, Natural
KK 3.96mm Crimp 9508020
Terminal Housing, 2
Circuits, Natural
KK 3.96mm Crimp 9508021
Terminal Housing,
Friction Ramp, 2
Circuits, Natural
KK 3.96mm Crimp 9508023
Terminal Housing,
Friction Ramp, 2
Circuits, Natural
KK 3.96mm Crimp 9508041
Terminal Housing,
Friction Ramp, 4
Circuits, Natural
KK 3.96mm Crimp 9508043
Terminal Housing,

Friction Ramp, 4 Circuits, Natural KK 3.96mm Crimp Terminal Housing,	<u>9508093</u>
Friction Ramp, 9 Circuits, Natural KK 3.96mm Crimp Terminal Housing, 10	<u>9508100</u>
Circuits, Natural KK 3.96mm Crimp Terminal Housing, Friction Ramp, 10	<u>9508101</u>
Circuits, Natural KK 3.96mm Crimp Terminal Housing, Friction Ramp, 10	<u>9508103</u>
Circuits, Natural KK 3.96mm Crimp Terminal Housing, Friction Ramp, 14	<u>9508141</u>
Circuits, Natural 3.96mm Pitch KK Crimp Housing, Female, Friction Ramp, 2 Circuits, Natural	<u>9524024</u>
3.96mm Pitch KK Crimp Housing, Female, Friction Ramp, 3 Circuits, Natural	<u>9524034</u>
3.96mm Pitch KK Crimp Housing, Female, Friction Ramp, 4 Circuits, Natural	<u>9524044</u>
3.96mm Pitch KK Crimp Housing, Female, Friction Ramp, 5 Circuits, Natural	<u>9524054</u>
3.96mm Pitch KK Crimp Housing, Female, Friction Ramp, 6 Circuits, Natural	<u>9524064</u>
SPOX and KK 396 Wire-to-Board Header, Vertical, with Friction Lock, 2 Circuits	<u>9652028</u>
SPOX and KK 396 Wire-to-Board Header, Vertical, with Friction Lock, with Void, 2 Circuits	<u>9652029</u>
SPOX and KK 396 Wire-to-Board Header, Vertical, with Friction Lock, 3 Circuits	<u>9652038</u>
SPOX and KK 396 Wire-to-Board Header, Vertical, with	<u>9652039</u>

Friction Lock, with Void, 3 Circuits SPOX and KK	<u>9652048</u>
396 Wire-to-Board Header, Vertical, with Friction Lock, 4 Circuits	
SPOX and KK	<u>9652049</u>
396 Wire-to-Board Header, Vertical, with Friction Lock, with Void, 4 Circuits	
SPOX and KK	<u>9652058</u>
396 Wire-to-Board Header, Vertical, with Friction Lock, 5 Circuits	
SPOX and KK	<u>9652068</u>
396 Wire-to-Board Header, Vertical, with Friction Lock, 6 Circuits	
SPOX and KK	<u>9652069</u>
396 Wire-to-Board Header, Vertical, with Friction Lock, with Void, 6 Circuits	
SPOX and KK	<u>9652078</u>
396 Wire-to-Board Header, Vertical, with Friction Lock, 7 Circuits	
SPOX and KK	<u>9652079</u>
396 Wire-to-Board Header, Vertical, with Friction Lock, with Void, 7 Circuits	
SPOX and KK	<u>9652088</u>
396 Wire-to-Board Header, Vertical, with Friction Lock, 8 Circuits	
SPOX and KK	<u>9652089</u>
396 Wire-to-Board Header, Vertical, with Friction Lock, with Void, 8 Circuits	
KK 3.96mm Crimp Terminal Housing, Friction Ramp, 2 Circuits, Glow-Wire Capable	<u>9930200</u>
KK 3.96mm Crimp Terminal Housing, Friction Ramp, 3 Circuits, Glow-Wire Capable	<u>9930300</u>
KK 3.96mm Crimp Terminal Housing, Friction Ramp, 4 Circuits, Glow-Wire Capable	<u>9930400</u>
KK 3.96mm Crimp Terminal Housing, Friction Ramp, 5	<u>9930500</u>

Circuits, Glow-Wire Capable	
KK 3.96mm Crimp Terminal Housing, Friction Ramp, 6	<u>9930600</u>
Circuits, Glow-Wire Capable	
KK 3.96mm Crimp Terminal Housing, Friction Ramp, 7	<u>9930700</u>
Circuits, Glow-Wire Capable	
KK 3.96mm Crimp Terminal Housing, Friction Ramp, 8	<u>9930800</u>
Circuits, Glow-Wire Capable	
KK 3.96mm Crimp Terminal Housing, Friction Ramp, 9	<u>9930900</u>
Circuits, Glow-Wire Capable	
KK 3.96mm Crimp Terminal Housing, Friction Ramp, 10	<u>9931000</u>
Circuits, Glow-Wire Capable	
KK 3.96mm Crimp Terminal Housing, Friction Ramp, 11	<u>9931100</u>
Circuits, Glow-Wire Capable	
KK 3.96mm Crimp Terminal Housing, Friction Ramp, 12	<u>9931200</u>
Circuits, Glow-Wire Capable	
KK 3.96mm Crimp Terminal Housing, Friction Ramp, 13	<u>9931300</u>
Circuits, Glow-Wire Capable	
KK 3.96mm Crimp Terminal Housing, Friction Ramp, 14	<u>9931400</u>
Circuits, Glow-Wire Capable	
KK 3.96mm Crimp Terminal Housing, Friction Ramp, 15	<u>9931500</u>
Circuits, Glow-Wire Capable	
15 PIN MICRO-D FEMAL ASSY	<u>10008503</u>
M8351309B11	
15/C METALSHELL RECEPT.WIRED	<u>10008637</u>
15/C METAL SHELL PLUG WIRED	<u>10008638</u>
25/C RECEPT. HARNESS ASSY	<u>10008645</u>
37/C RECEPT. HARNESS ASSY	<u>10008647</u>

STAT. 3CKT	<u>10008653</u>
RECEP. PIN 1/4 IN 1 FT	
R/A 3CKT PLUG	<u>10008654</u>
SOC. INSERT PUR 12 FEET	
15/C M SHELL	<u>10008655</u>
RECEPT. WIRED 72.0	
5.08mm Pitch KK Crimp Terminal Housing, 2 Circuits, Natural	<u>10011024</u>
5.08mm Pitch KK Crimp Terminal Housing, 3 Circuits, Natural	<u>10011034</u>
5.08mm Pitch KK Crimp Terminal Housing, 4 Circuits, Natural	<u>10011044</u>
5.08mm Pitch KK Crimp Terminal Housing, 5 Circuits, Natural	<u>10011054</u>
5.08mm Pitch KK Crimp Terminal Housing, 6 Circuits, Natural	<u>10011064</u>
5.08mm Pitch KK Crimp Terminal Housing, 7 Circuits, Natural	<u>10011074</u>
5.08mm Pitch KK Crimp Terminal Housing, 8 Circuits, Natural	<u>10011084</u>
5.08mm Pitch KK Crimp Terminal Housing, 9 Circuits, Natural	<u>10011094</u>
5.08mm Pitch KK Crimp Terminal Housing, 10 Circuits, Natural	<u>10011104</u>
5.08mm Pitch KK Crimp Terminal Housing, 11 Circuits, Natural	<u>10011114</u>
5.08mm Pitch KK Crimp Terminal Housing, 12 Circuits, Natural	<u>10011124</u>
5.08mm Pitch SPOX Crimp Terminal Housing, 2 Circuits, Natural	<u>10013026</u>
5.08mm Pitch SPOX Crimp Terminal Housing, 3 Circuits, Natural	<u>10013036</u>
5.08mm Pitch SPOX Crimp Terminal Housing, 4 Circuits, Natural	<u>10013046</u>

5.08mm Pitch SPOX [10013056](#)
Crimp Terminal
Housing, 5 Circuits,
Natural

5.08mm Pitch SPOX [10013066](#)
Crimp Terminal
Housing, 6 Circuits,
Natural

5.08mm Pitch SPOX [10013076](#)
Crimp Terminal
Housing, 7 Circuits,
Natural

5.08mm Pitch SPOX [10013086](#)
Crimp Terminal
Housing, 8 Circuits,
Natural

5.08mm Pitch SPOX [10013096](#)
Crimp Terminal
Housing, 9 Circuits,
Natural

KK PC Board [10021022](#)
Connector, Bottom
Entry Mount Style B,
1.00µm Tin (Sn), 2
Circuits

KK PC Board [10021032](#)
Connector, Bottom
Entry Mount Style B,
1.00µm Tin (Sn), 3
Circuits

KK PC Board [10021042](#)
Connector, Bottom
Entry Mount Style B,
1.00µm Tin (Sn), 4
Circuits

KK PC Board [10021052](#)
Connector, Bottom
Entry Mount Style B,
1.00µm Tin (Sn), 5
Circuits

KK PC Board [10021062](#)
Connector, Bottom
Entry Mount Style B,
1.00µm Tin (Sn), 6
Circuits

KK PC Board [10021072](#)
Connector, Bottom
Entry Mount Style B,
1.00µm Tin (Sn), 7
Circuits

KK PC Board [10021082](#)
Connector, Bottom
Entry Mount Style B,
1.00µm Tin (Sn), 8
Circuits

KK PC Board [10021092](#)
Connector, Bottom
Entry Mount Style B,
1.00µm Tin (Sn), 9
Circuits

KK PC Board [10021102](#)
Connector, Bottom
Entry Mount Style B,
1.00µm Tin (Sn), 10
Circuits

KK PC Board 10021112
Connector, Bottom
Entry Mount Style B,
1.00µm Tin (Sn), 11
Circuits

KK PC Board 10021122
Connector, Bottom
Entry Mount Style B,
1.00µm Tin (Sn), 12
Circuits

5.08mm Pitch KK 10061045
Header, Right
Angle, Square Pin,
4 Circuits, Tin (Sn)
Plating

KK Header, Right 10061055
Angle, Square Pin,
5 Circuits, Tin (Sn)
Plating

KK Header, Vertical, 10081021
Round Pin, 2
Circuits, Tin (Sn)
Plating, Pin Length
19.05mm

KK Header, Vertical, 10081022
Round Pin, 2
Circuits, Tin (Sn)
Plating, Pin Length
23.80mm

KK Header, Vertical, 10081029
Round Pin, 2
Circuits, Tin (Sn)
Plating, Pin Length
20.32mm

KK Header, Vertical, 10081031
Round Pin, 3
Circuits, Tin (Sn)
Plating, Pin Length
19.05mm

KK Header, Vertical, 10081039
Round Pin, 3
Circuits, Tin (Sn)
Plating, Pin Length
20.32mm

KK Header, Vertical, 10081041
Round Pin, 4
Circuits, Tin (Sn)
Plating, Pin Length
19.05mm

KK Header, Vertical, 10081049
Round Pin, 4
Circuits, Tin (Sn)
Plating, Pin Length
20.32mm

KK Header, Vertical, 10081051
Round Pin, 5
Circuits, Tin (Sn)
Plating, Pin Length
19.05mm

KK Header, Vertical, 10081061
Round Pin, 6
Circuits, Tin (Sn)
Plating, Pin Length
19.05mm

KK Header, Vertical, [10081069](#)
Round Pin, 6
Circuits, Tin (Sn)
Plating, Pin Length
20.32mm

KK Header, Vertical, [10081071](#)
Round Pin, 7
Circuits, Tin (Sn)
Plating, Pin Length
19.05mm

KK Header, Vertical, [10081081](#)
Round Pin, 8
Circuits, Tin (Sn)
Plating, Pin Length
19.05mm

KK Header, Vertical, [10081082](#)
Round Pin, 8
Circuits, Tin (Sn)
Plating, Pin Length
23.80mm

KK Header, Vertical, [10081089](#)
Round Pin, 8
Circuits, Tin (Sn)
Plating, Pin Length
20.32mm

KK Header, Vertical, [10081091](#)
Round Pin, 9
Circuits, Tin (Sn)
Plating, Pin Length
19.05mm

KK Header, Vertical, [10081101](#)
Round Pin, 10
Circuits, Tin (Sn)
Plating, Pin Length
19.05mm

KK Header, Vertical, [10081102](#)
Round Pin, 10
Circuits, Tin (Sn)
Plating, Pin Length
23.80mm

KK Header, Vertical, [10081111](#)
Round Pin, 11
Circuits, Tin (Sn)
Plating, Pin Length
19.05mm

KK Header, Vertical, [10081112](#)
Round Pin, 11
Circuits, Tin (Sn)
Plating, Pin Length
23.80mm

KK Header, Vertical, [10081121](#)
Round Pin, 12
Circuits, Tin (Sn)
Plating, Pin Length
19.05mm

KK Header, Vertical, [10085021](#)
with Polarizing
Backwall, 2 Circuits,
Tin (Sn) Plating

KK Header, Vertical, [10085031](#)
with Polarizing
Backwall, 3 Circuits,
Tin (Sn) Plating

KK Header, Vertical, [10085041](#)
with Polarizing

Backwall, 4 Circuits,
Tin (Sn) Plating
KK Header, Vertical, 10085051
with Polarizing
Backwall, 5 Circuits,
Tin (Sn) Plating
KK Header, Vertical, 10085061
with Polarizing
Backwall, 6 Circuits,
Tin (Sn) Plating
KK Header, Vertical, 10085071
with Polarizing
Backwall, 7 Circuits,
Tin (Sn) Plating
KK Header, Vertical, 10085081
with Polarizing
Backwall, 8 Circuits,
Tin (Sn) Plating
KK Header, Vertical, 10085091
with Polarizing
Backwall, 9 Circuits,
Tin (Sn) Plating
KK Header, Vertical, 10085101
with Polarizing
Backwall, 10 Circuits,
Tin (Sn) Plating
KK Header, Vertical, 10085111
with Polarizing
Backwall, 11 Circuits,
Tin (Sn) Plating
KK Header, Vertical, 10085121
with Polarizing
Backwall, 12 Circuits,
Tin (Sn) Plating
KK PC Board 10101021
Connector, Right-
Angle Mount Style A,
1.00µm Tin (Sn), 2
Circuits
KK PC Board 10101023
Connector, Top
Entry Mount Style C,
1.00µm Tin (Sn), 2
Circuits
KK PC Board 10101031
Connector, Right-
Angle Mount Style A,
1.00µm Tin (Sn), 3
Circuits
KK PC Board 10101033
Connector, Top
Entry Mount Style C,
1.00µm Tin (Sn), 3
Circuits
KK PC Board 10101041
Connector, Right-
Angle Mount Style A,
1.00µm Tin (Sn), 4
Circuits
KK PC Board 10101043
Connector, Top
Entry Mount Style C,
1.00µm Tin (Sn), 4
Circuits

KK PC Board Connector, Right- Angle Mount Style A, 1.00µm Tin (Sn), 5 Circuits	<u>10101051</u>
KK PC Board Connector, Top Entry Mount Style C, 1.00µm Tin (Sn), 5 Circuits	<u>10101053</u>
KK PC Board Connector, Right- Angle Mount Style A, 1.00µm Tin (Sn), 6 Circuits	<u>10101061</u>
KK PC Board Connector, Top Entry Mount Style C, 1.00µm Tin (Sn), 6 Circuits	<u>10101063</u>
KK PC Board Connector, Right- Angle Mount Style A, 1.00µm Tin (Sn), 7 Circuits	<u>10101071</u>
KK PC Board Connector, Top Entry Mount Style C, 1.00µm Tin (Sn), 7 Circuits	<u>10101073</u>
KK PC Board Connector, Right- Angle Mount Style A, 1.00µm Tin (Sn), 8 Circuits	<u>10101081</u>
KK PC Board Connector, Top Entry Mount Style C, 1.00µm Tin (Sn), 8 Circuits	<u>10101083</u>
KK PC Board Connector, Right- Angle Mount Style A, 1.00µm Tin (Sn), 9 Circuits	<u>10101091</u>
KK PC Board Connector, Top Entry Mount Style C, 1.00µm Tin (Sn), 9 Circuits	<u>10101093</u>
KK PC Board Connector, Right- Angle Mount Style A, 1.00µm Tin (Sn), 10 Circuits	<u>10101101</u>
KK PC Board Connector, Top Entry Mount Style C, 1.00µm Tin (Sn), 10 Circuits	<u>10101103</u>
KK PC Board Connector, Right- Angle Mount Style A, 1.00µm Tin (Sn), 11 Circuits	<u>10101111</u>

KK PC Board Connector, Top Entry Mount Style C, 1.00µm Tin (Sn), 11 Circuits	<u>10101113</u>
KK PC Board Connector, Right- Angle Mount Style A, 1.00µm Tin (Sn), 12 Circuits	<u>10101121</u>
KK PC Board Connector, Top Entry Mount Style C, 1.00µm Tin (Sn), 12 Circuits	<u>10101123</u>
KK 254 Crimp Housing, High Pressure, 2 Circuits, Natural	<u>10112023</u>
KK 254 Crimp Housing, High Pressure, 3 Circuits, Natural	<u>10112033</u>
KK 254 Crimp Housing, High Pressure, 4 Circuits, Natural	<u>10112043</u>
KK 254 Crimp Housing, High Pressure, 5 Circuits, Natural	<u>10112053</u>
KK 254 Crimp Housing, High Pressure, 6 Circuits, Natural	<u>10112063</u>
KK 254 Crimp Housing, High Pressure, 7 Circuits, Natural	<u>10112073</u>
KK 254 Crimp Housing, High Pressure, 8 Circuits, Natural	<u>10112083</u>
KK 254 Crimp Housing, High Pressure, 9 Circuits, Natural	<u>10112093</u>
KK 254 Crimp Housing, High Pressure, 10 Circuits, Natural	<u>10112103</u>
KK 254 Crimp Housing, High Pressure, 11 Circuit	<u>10112113</u>
KK 254 Crimp Housing, High Pressure, 12 Circuits, Natural	<u>10112123</u>
KK 254 Crimp Housing, High Pressure, 13 Circuits, Natural	<u>10112133</u>
KK 254 Crimp Housing, High	<u>10112143</u>

Pressure, 14 Circuits, Natural KK 254 Crimp Housing, High Pressure, 15 Circuits, Natural KK 254 Crimp Housing, High Pressure, 16 Circuits, Natural KK 254 Crimp Housing, High Pressure, 17 Circuits, Natural KK 254 Crimp Housing, High Pressure, 18 Circuits, Natural 2.36mm Diameter Standard .093" Pin and Socket Header, Shrouded, 3 Circuits, 2 Male Terminals	<u>10112153</u>
2.36mm Diameter Standard .093" Pin and Socket Header, Shrouded, 3 Circuits, 2 Male Terminals	<u>10112163</u>
2.36mm Diameter Standard .093" Pin and Socket Header, Shrouded, 3 Circuits, 2 Male Terminals	<u>10112173</u>
2.36mm Diameter Standard .093" Pin and Socket Header, Shrouded, 3 Circuits, 2 Male Terminals	<u>10112183</u>
2.36mm Diameter Standard .093" Pin and Socket Header, Shrouded, 3 Circuits, 3 Male Terminals	<u>10181031</u>
2.36mm Diameter Standard .093" Pin and Socket Header, Shrouded, 3 Circuits, 3 Male Terminals	<u>10181032</u>
2.36mm Diameter Standard .093" Pin and Socket Header, Shrouded, 3 Circuits, 1 Female Terminal, 2 Male Terminals	<u>10181033</u>
2.36mm Diameter Standard .093" Pin and Socket Header, Shrouded, 3 Circuits, 1 Female Terminal, 2 Male Terminals	<u>10181034</u>
2.36mm Diameter Standard .093" Pin and Socket Header, Shrouded, 3 Circuits, 2 Male Terminals, 1 Female Terminal	<u>10181035</u>
2.36mm Diameter Standard .093" Pin and Socket Header, Shrouded, 3 Circuits, 1 Female Terminal, 1 Male Terminal	<u>10181036</u>
2.36mm Diameter Standard .093" Pin and Socket Header, Shrouded, 3 Circuits, 2 Female Terminals, 1 Male Terminal	<u>10181037</u>
2.36mm Diameter Standard .093" Pin and Socket Header, Shrouded, 3 Circuits, 3 Female Terminals	<u>10181038</u>
2.36mm Diameter Standard .093" Pin	<u>10181040</u>

and Socket Header,
Shrouded, 4 Circuits,
1 Female Terminal, 1
Male Terminal
2.36mm Diameter 10181041
Standard .093" Pin
and Socket Header,
Shrouded, 4 Circuits,
4 Male Terminals
2.36mm Diameter 10181042
Standard .093" Pin
and Socket Header,
Shrouded, 4 Circuits,
4 Female Terminals
2.36mm Diameter 10181043
Standard .093" Pin
and Socket Header,
Shrouded, 4 Circuits,
1 Female Terminal, 3
Male Terminals
2.36mm Diameter 10181044
Standard .093" Pin
and Socket Header,
Shrouded, 4 Circuits,
3 Female Terminals,
1 Male Terminals
2.36mm Diameter 10181045
Standard .093" Pin
and Socket Header,
Shrouded, 4 Circuits,
2 Male Terminals, 2
Female Terminals
2.36mm Diameter 10181046
Standard .093" Pin
and Socket Header,
Shrouded, 4 Circuits,
3 Male Terminals, 1
Female Terminal
2.36mm Diameter 10181047
Standard .093" Pin
and Socket Header,
Shrouded, 4 Circuits,
1 Female Terminal, 3
Male Terminals
2.36mm Diameter 10181048
Standard .093" Pin
and Socket Header,
Shrouded, 4 Circuits,
1 Female Terminal,
2 Male Terminals, 1
Female Terminal, 1
Male Terminal
2.36mm Diameter 10181049
Standard .093" Pin
and Socket Header,
Shrouded, 4 Circuits,
2 Female Terminals,
1 Male Terminal, 1
Female Terminal,
1 Male Terminal, 1
Female Terminal
2.36mm Diameter 10181050
Standard .093" Pin
and Socket Header,
Shrouded, 4 Circuits,

2 Female Terminals,
 2 Male Terminals
 2.36mm Diameter 10181090
 Standard .093" Pin
 and Socket Header,
 Shrouded, 9 Circuits,
 9 Male Terminals
 2.36mm Diameter 10181091
 Standard .093" Pin
 and Socket Header,
 3 Rows, Shrouded,
 Unfilled Polyester,
 UL 94V-0, 9 Circuits,
 9 Female Terminals
 2.36mm Diameter 10181120
 Standard .093"
 Pin and Socket
 Header, Shrouded,
 12 Circuits, 12 Male
 Terminals
 2.36mm Diameter 10181122
 Standard .093"
 Pin and Socket
 Header, 3 Rows,
 Shrouded, Unfilled
 Polyester, UL 94V-0,
 12 Circuits, 12
 Female Terminals
 2.36mm Diameter 10181150
 Standard .093"
 Pin and Socket
 Header, Shrouded,
 15 Circuits, 15 Male
 Terminals
 5.08mm Pitch SPOX 10221022
 Crimp Housing,
 Female, with Friction
 Ramp and Void, 2
 Circuits
 2.50mm Pitch KK 10302031
 Crimp Terminal
 Housing, 3 Circuits
 5.00/7.50mm Pitch 10311028
 SPOX Header,
 Vertical, with Friction
 Lock, 2 Circuits
 5.00/7.50mm Pitch 10311038
 SPOX Header,
 Vertical, with Friction
 Lock, 3 Circuits
 5.00/7.50mm Pitch 10311048
 SPOX Header,
 Vertical, with Friction
 Lock, 4 Circuits
 5.00/7.50mm Pitch 10311058
 SPOX Header,
 Vertical, with Friction
 Lock, 5 Circuits
 5.00/7.50mm Pitch 10311068
 SPOX Header,
 Vertical, with Friction
 Lock, 6 Circuits

This document was generated on 09/15/2019

PLEASE CHECK WWW.MOLEX.COM FOR LATEST PART INFORMATION