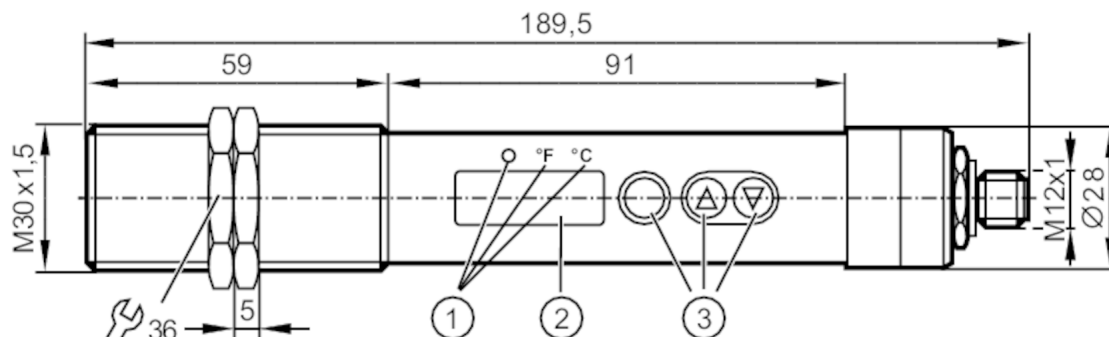


TW2000



Infrared temperature sensor

TW-030KLBM30-KFDKG/US



- 1 LEDs Display unit / switching status
- 2 7-segment LED display 4-digit
- 3 programming buttons



Product characteristics

Number of inputs and outputs	Number of digital outputs: 1; Number of analogue outputs: 1	
Measuring range	0...999.5 °C	32...1831 °F

Application

Application	asphalt; coated metal; liquids; glass; rubber; wood; ceramics; plastics; lacquers; food products; paper; fabric
-------------	---

Electrical data

Operating voltage [V]	18...32 DC; (to SELV/PELV)
Current consumption [mA]	< 50
Min. insulation resistance [MΩ]	100; (50 V DC)
Protection class	III
Reverse polarity protection	yes
Power-on delay time [s]	< 1

Inputs / outputs

Number of inputs and outputs	Number of digital outputs: 1; Number of analogue outputs: 1
------------------------------	---

Inputs

Test input	type 3 (IEC 61131-2)
------------	----------------------



Infrared temperature sensor

TW-030KLBM30-KFDKG/US

Outputs		
Total number of outputs		2
Output signal		switching signal; analogue signal; IO-Link; (configurable)
Electrical design		PNP
Number of digital outputs		1
Output function		normally open / normally closed; (parameterisable)
Max. voltage drop switching output DC	[V]	2.5
Permanent current rating of switching output DC	[mA]	150
Number of analogue outputs		1
Analogue current output	[mA]	4...20
Max. load	[Ω]	500
Short-circuit protection		yes
Type of short-circuit protection		pulsed
Short-circuit proof		yes
Overload protection		yes
Detection zone		
Wave length range	[μm]	8...14
Measuring/setting range		
Measuring range		0...999.5 °C 32...1831 °F
Set point SP		1...999.5 °C 34...1831 °F
Reset point rP		0...998.5 °C 32...1829 °F
Analogue start point		0...949.5 °C 32...1741.1 °F
Analogue end point		50...999.5 °C 122...1831 °F
In steps of		0.5 °C 1 °F
Resolution		
Resolution of switching output	[K]	0.5
Resolution of analogue output	[K]	0.2; (+ 0.03% of the set measuring span)
Resolution of display	[K]	0.5
Accuracy / deviations		
Accuracy	[K]	< ± 1 %; (of measured value, min. 2 K (degree of emission = 1, T = 23 °C))
Repeatability	[K]	1
Response times		
Response time	[ms]	100
Software / programming		
Adjustment of the switch point		programming buttons
Parameter setting options		analogue range; normally open / normally closed; switch-on/switch-off delay; Damping; Peakhold; emissivity; simulation function

TW2000



Infrared temperature sensor

TW-030KLBM30-KFDKG/US

Interfaces		
Communication interface	IO-Link	
Transmission type	COM2 (38,4 kBaud)	
IO-Link revision	1.1	
SDCI standard	IEC 61131-9	
SIO mode	yes	
Required master port type	A	
Process data analogue	16	
Process data binary	1	
Min. process cycle time [ms]	3.6	
Supported DeviceIDs	Type of operation	DeviceID
	Default	716
Operating conditions		
Ambient temperature [°C]	0...65	
Storage temperature [°C]	-20...80	
Max. relative air humidity [%]	95; (non condensing)	
Protection	IP 65	
Tests / approvals		
EMC	DIN EN 61000-6-2	
	DIN EN 61000-6-4	
Shock resistance	DIN EN 60068-2-27	30 g (11 ms)
Vibration resistance	DIN EN 60068-2-6	5 g (10...2000 Hz)
MTTF [years]	88	
Mechanical data		
Weight [g]	411.5	
Housing	threaded type	
Dimensions [mm]	M30 x 1.5	
Thread designation	M30 x 1.5	
Materials	threaded sleeve: stainless steel (1.4305 / 303); polyester	
Lens material	Infrared transparent crystal lens with anti-reflex coating	
Displays / operating elements		
Display	Display unit	2 x LED, yellow
	switching status	1 x LED, yellow
	function display	7-segment LED display, 4-digit
	measured values	7-segment LED display, 4-digit
Operating elements	3	pushbuttons
Accessories		
Items supplied	lock nuts: 2	
Remarks		
Remarks	Use a screened cable to protect infrared temperature sensors from interference. The screen must be connected to the housing of the sensor via the connector.	
Pack quantity	1 pcs.	

TW2000

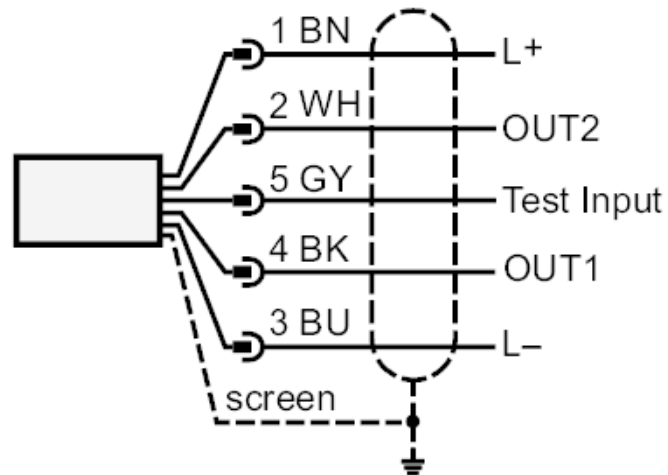


Infrared temperature sensor

TW-030KLBM30-KFDKG/US

Electrical connection

Connection



OUT1: switching output / IO-Link

OUT2: analogue output

Core colours :

BK = black

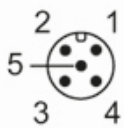
BN = brown

BU = blue

GY = grey

WH = white

Connector: 1 x M12



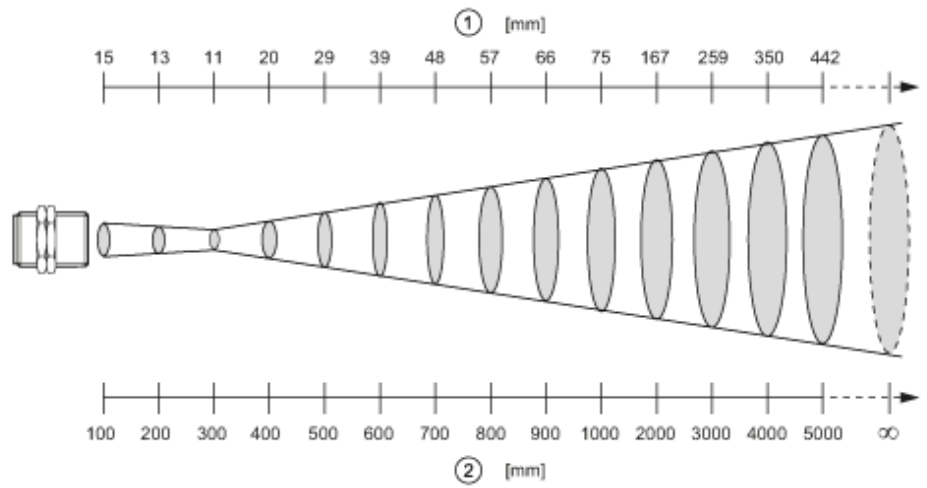
TW2000



Infrared temperature sensor

TW-030KLBM30-KFDKG/US

Diagrams and graphs



- 1 diameter of the measured spot
- 2 measuring distance