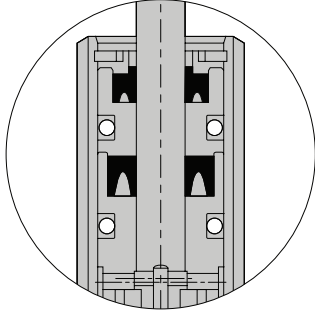


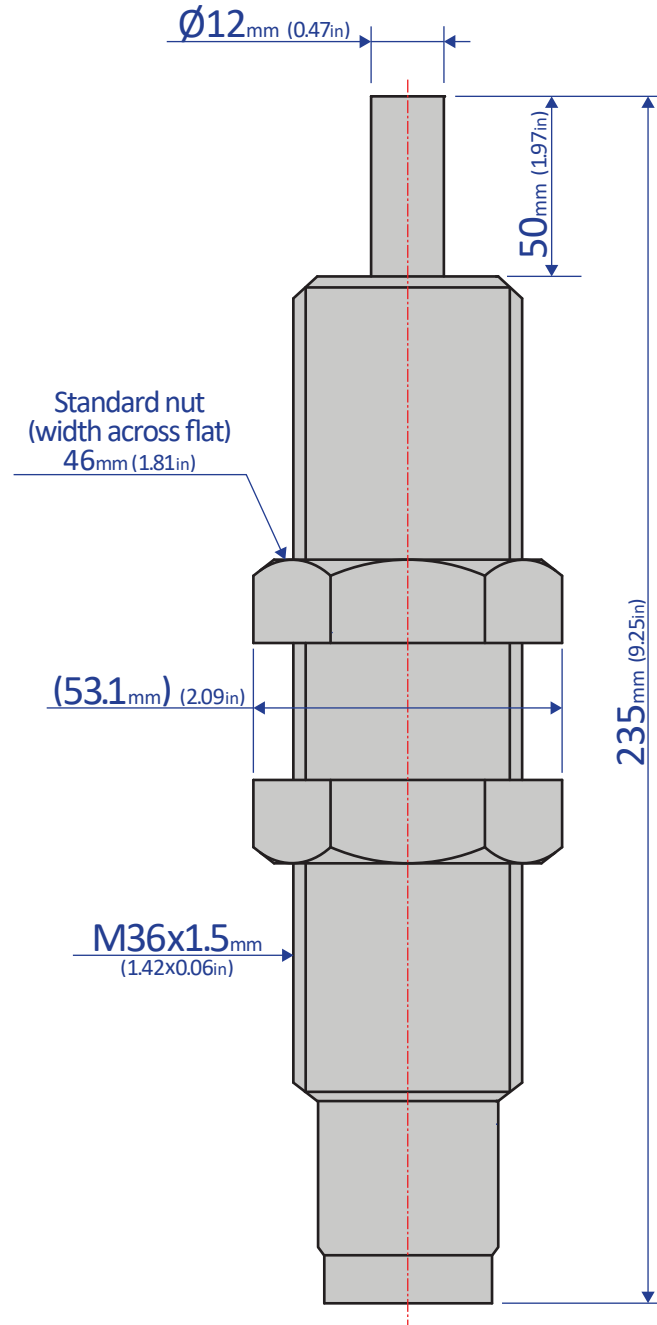
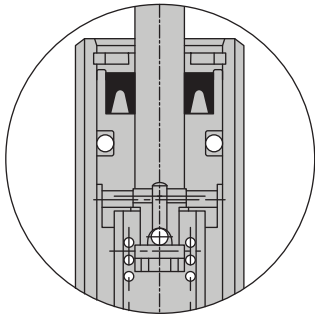
FWM-S3650UBD-S

SHOCK ABSORBER - ADJUSTABLE

Dust seal specifications



Standard product



Bansbach
easylift[®]

50 West Drive • Melbourne, Florida 32904
(321) 253-1999 • www.easylift.com • www.damper.net