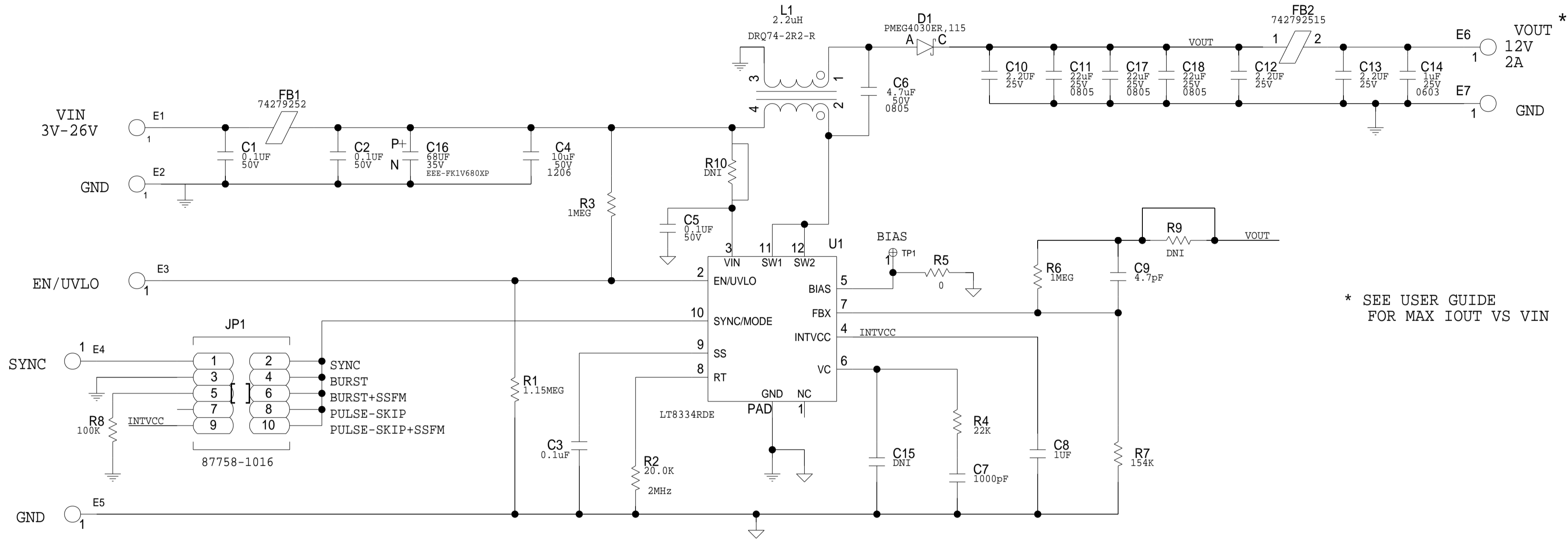


| REVISIONS |             |      |          |
|-----------|-------------|------|----------|
| REV       | DESCRIPTION | DATE | APPROVED |
|           |             |      |          |



\* SEE USER GUIDE FOR MAX IOUT VS VIN

NOTES: UNLESS OTHERWISE SPECIFIED  
ALL RESISTORS ARE 0402  
ALL CAPACITORS ARE 0402

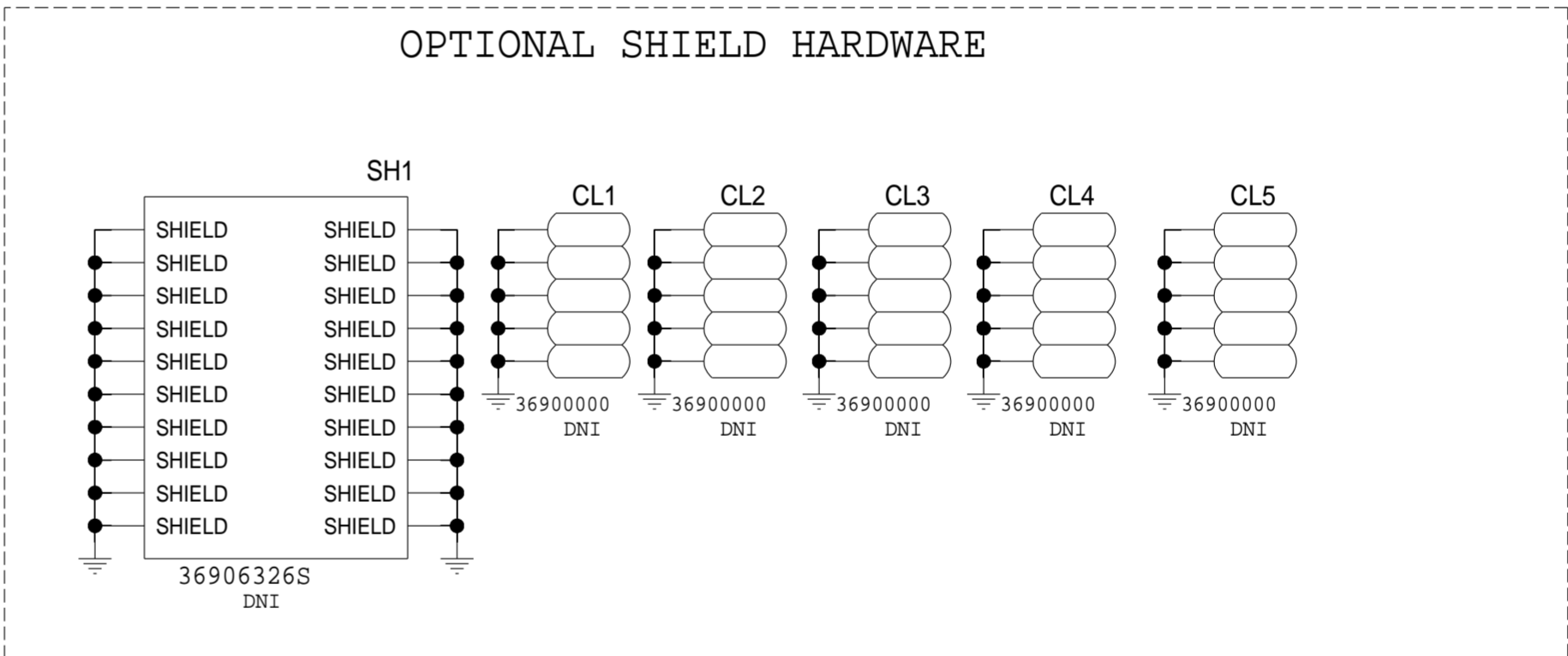
|   |  |       |       |    |
|---|--|-------|-------|----|
| <p>THIS DRAWING IS THE PROPERTY OF ANALOG DEVICES INC. IT IS NOT TO BE REPRODUCED OR COPIED, IN WHOLE OR IN PART, OR USED IN FURNISHING INFORMATION TO OTHERS, OR FOR ANY OTHER PURPOSE DETRIMENTAL TO THE INTERESTS OF ANALOG DEVICES.<br/>THE EQUIPMENT SHOWN HEREON MAY BE PROTECTED BY PATENTS OWNED OR CONTROLLED BY OWNED ANALOG DEVICES.</p> | <b>SCHEMATIC</b>   |       |       |    |
|   | HW TYPE : Customer Evaluation                              |       |       |    |
|   | Product(s): LT8334   |       |       |    |
|   | LOW Iq BOOST/SEPIC/INVERTING CONVERTER WITH 5A, 40V SWITCH |       |       |    |
| DESIGN VIEW   | DRAWING NO.  |       | REV   |    |
| <DESIGN_VIEW>   | 02_067670  |       | B     |    |
| PTD ENGINEER  | SIZE   | SCALE | SHEET | OF |
| <PTD_ENGINEER>  | C  | 1:1   | 1     | 2  |

| RELAY CONTROL CHART |      |        |          |           |
|---------------------|------|--------|----------|-----------|
| CONTROL             | CODE | DEVICE | FUNCTION | CONNECTOR |
|                     |      |        |          |           |
|                     |      |        |          |           |
|                     |      |        |          |           |
|                     |      |        |          |           |
|                     |      |        |          |           |
|                     |      |        |          |           |
|                     |      |        |          |           |
|                     |      |        |          |           |
|                     |      |        |          |           |
|                     |      |        |          |           |
|                     |      |        |          |           |
|                     |      |        |          |           |
|                     |      |        |          |           |
|                     |      |        |          |           |
|                     |      |        |          |           |
|                     |      |        |          |           |
|                     |      |        |          |           |
|                     |      |        |          |           |
|                     |      |        |          |           |
|                     |      |        |          |           |
|                     |      |        |          |           |
|                     |      |        |          |           |

| JUMPER TABLE |    |     |
|--------------|----|-----|
| JP#          | ON | OFF |
| 1            |    |     |
| 2            |    |     |
| 3            |    |     |
| 4            |    |     |
| 5            |    |     |

| REVISIONS |             |      |          |
|-----------|-------------|------|----------|
| REV       | DESCRIPTION | DATE | APPROVED |
|           |             |      |          |
|           |             |      |          |
|           |             |      |          |
|           |             |      |          |

\* SEE ASSEMBLY INSTRUCTIONS



|           |             |            |           |         |
|-----------|-------------|------------|-----------|---------|
|           |             |            |           |         |
|           |             |            |           |         |
|           |             |            |           |         |
|           |             |            |           |         |
|           |             |            |           |         |
|           |             |            |           |         |
|           |             |            |           |         |
|           |             |            |           |         |
|           |             |            |           |         |
|           |             |            |           |         |
|           |             |            |           |         |
|           |             |            |           |         |
| P.O SPEC. | BK/BD SPEC. | SOCKET OEM | OEM PART# | HANDLER |

|                                |      |
|--------------------------------|------|
| TEMPLATE ENGINEER<br>-         | DATE |
| HARDWARE SERVICES<br>-         |      |
| HARDWARE SYSTEMS<br>-          |      |
| TEST ENGINEER<br>-             |      |
| COMPONENT ENGINEER<br>-        |      |
| TEST PROCESS<br>-              |      |
| HARDWARE RELEASE<br>-          |      |
| DESIGNER<br>-                  |      |
| PTD ENGINEER<br><PTD_ENGINEER> |      |
| CHECKER<br>-                   |      |

**SCHEMATIC**

HW TYPE : Customer Evaluation  
LOW Iq BOOST/SEPIC/INVERTING CONVERTER WITH 5A, 40V SWITCH

Product(s): LT8334

|  |                                      |                          |                       |
|--|--------------------------------------|--------------------------|-----------------------|
| MASTER PROJECT TEMPLATE<br><MASTER_PROJECT_TEMPLATE> | TESTER TEMPLATE<br><TESTER_TEMPLATE> | DRAWING NO.<br>02_067670 | REV.<br>B             |
| UNLESS OTHERWISE SPECIFIED DIMENSIONS ARE IN INCHES  |                                      |                          |                       |
| TOLERANCES   |                                      | SIZE<br>C                | SCALE<br>1:1          |
| DECIMALS<br>X.XX +0.010<br>X.XXX +0.005              | FRACTIONS<br>+/-1/32                 | ANGLES<br>+2             | CODE ID NO.<br>CodeID |

SHEET 2 OF 2