



ANATECH ELECTRONICS INC
RF & Microwave Filters & Products

540 MHz LC Band Pass Filter

Part Number: AE540B11244



Electrical Specifications

Center Frequency: 540 MHz
3dB Bandwidth: 300 MHz
Pass Band: 390-690 MHz
Insertion Loss: 1.25 dB Max
Linear Phase: ± 1.5 Degrees from 500-580 MHz
Input Power (Max to 10K FT): 1 W Max Average
2 W Max Peak

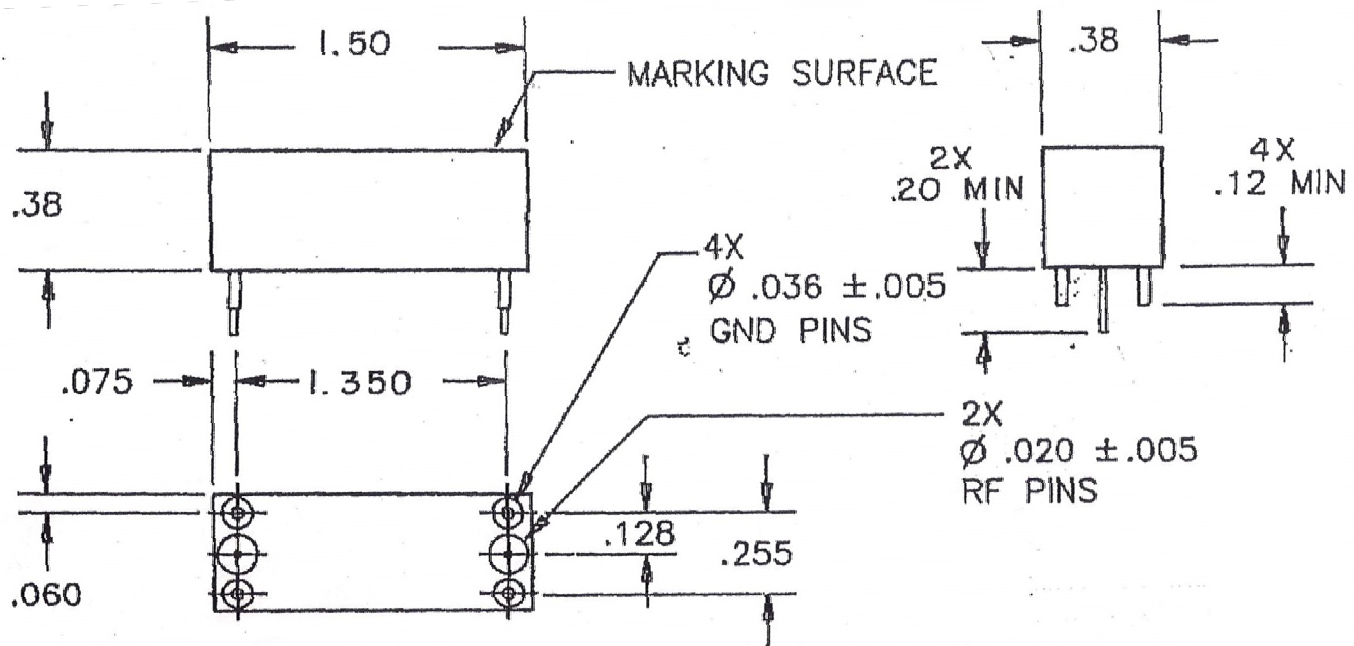
Mechanical

Connector Type: RF Pins
Dimensions: 1.50 x 0.38 x 0.38 Inches

Environmental

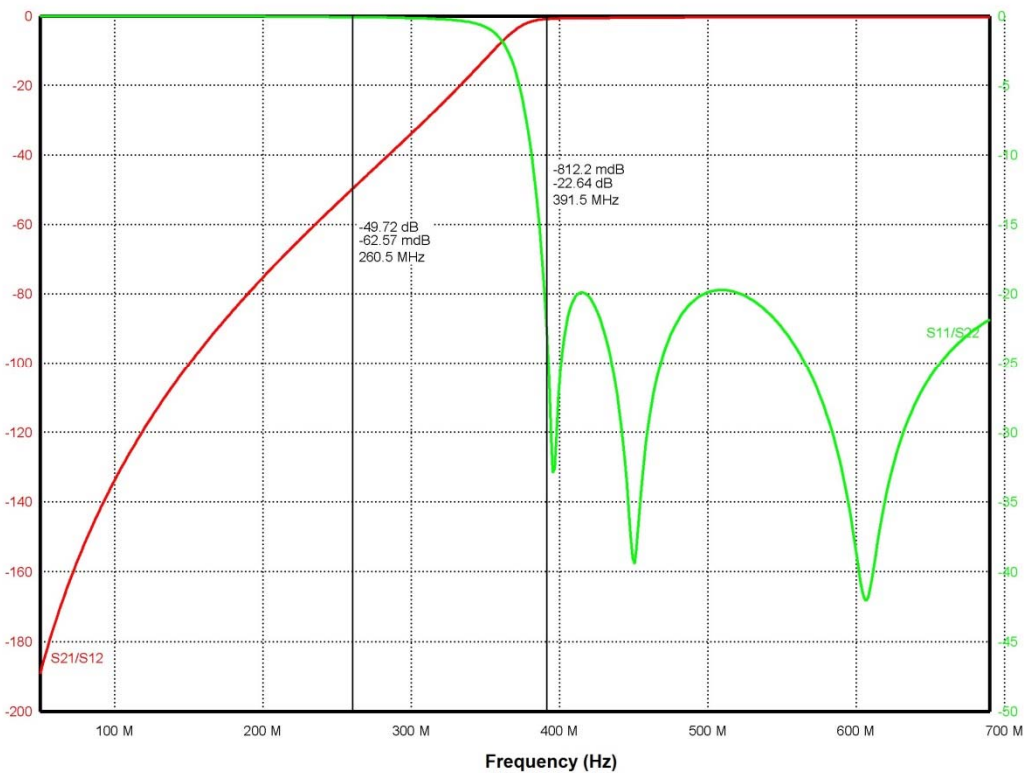
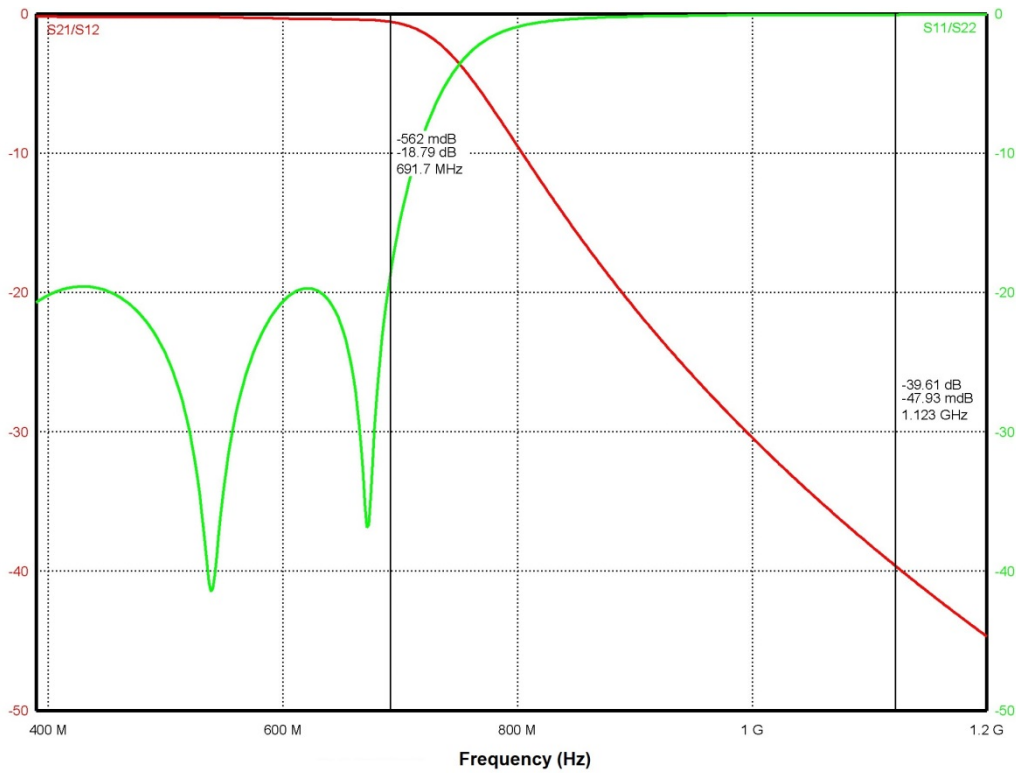
Operating Temperature: -40 to +85° C
Storage Temperature: -55 to +125° C
Shock: 20 G. 11 ms
Vibration: 10 G. 10 to 500 Hz
Relative Humidity: 95%

Outline Drawing:





Response Plot:



Note: This is a simulation plot. Actual results may differ once the product is implemented.