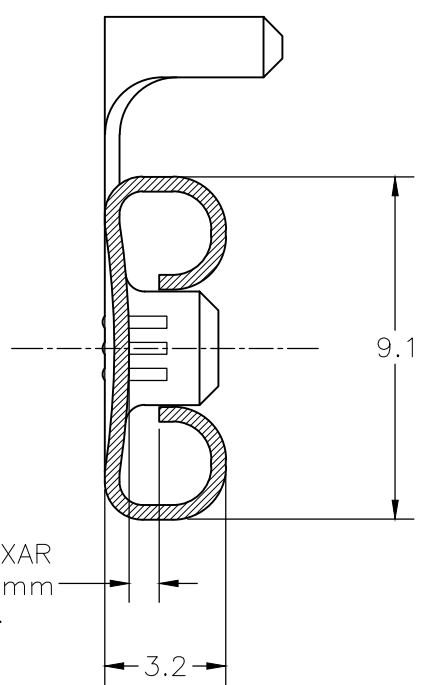
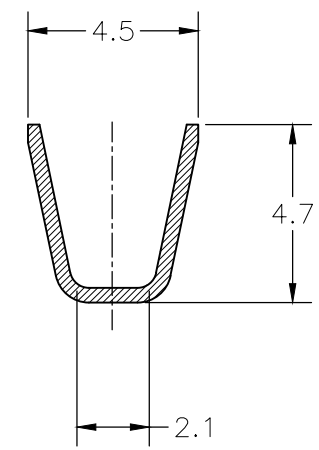
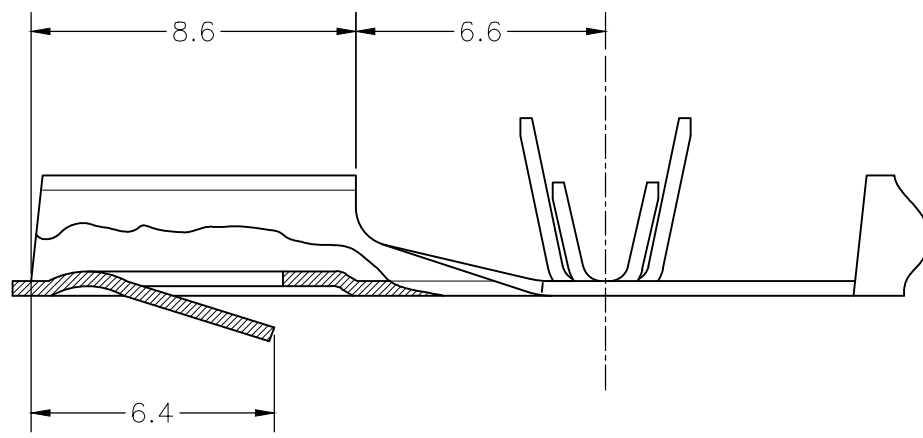
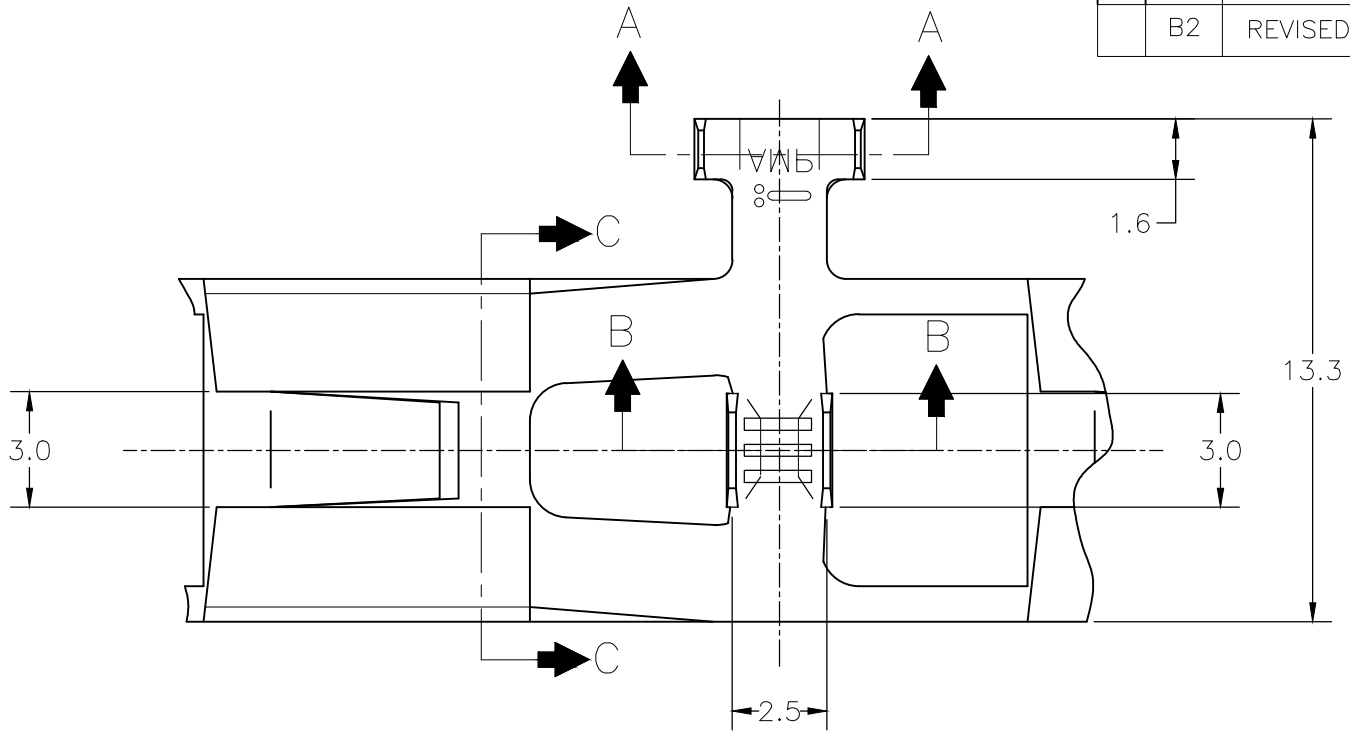


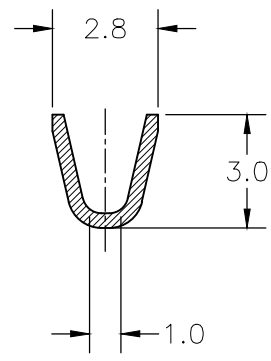
CAD
AutoCAD
DO NOT REVISE
EXCEPT BY CAD



CORTE C-C
SECTION C-C



CORTE A-A
SECTION A-A



CORTE B-B
SECTION B-B

- 1 - OBSOLETE PARTS: OBSOLETE CIS STREAMLINING PER D.RENAUD/D.SINISI.
- 2 - CAN ALSO BE USABLE WITH CABLE FOR WIRE RANGE: 0.75mm² / INSUL.RANGE: DIA. 1.70 1.90mm (FLRY B), CRIMPED SPECIFICALLY IN OV CONDICTION FOR THE INSULATION BARREL.
- 3 - CAN ALSO BE USABLE WITH CABLE FOR WIRE RANGE: 1,00 mm² / INSUL.RANGE: DIA. 1.90 - 2.10mm (FLRY B), CRIMPED SPECIFICALLY IN OV CONDICTION FOR THE INSULATION BARREL.

⚠ OBSOLETE	1-880681-4	ESTANHADO/TINNED	BRONZE FOSF./PHOS. BRONZE	880681-4
	1-880681-3	---	BRONZE FOSF./PHOS. BRONZE	880681-3
	1-880681-2	ESTANHADO/TINNED	LATÃO/BRASS	880681-2
	1-880681-1	---	LATÃO/BRASS	880681-1
	LOOSE PIECE	FINISH	MATERIAL	PART NUMBER

3	INSUL. DIA. RANGE	2.0-3.3mm
	WIRE RANGE	0.5-1.0mm ²

THIS DRAWING IS A CONTROLLED DOCUMENT.		DWN	H.LIVERARO	25JUL2001	 TE Connectivity
DIMENSIONS: mm		CHK	P.L.FARIA	25JUL2001	
TOLERANCES UNLESS OTHERWISE SPECIFIED:		APVD	J.A.MARSON	25JUL2001	
0 PLC ± - 1 PLC ± 0.3 2 PLC ± - 3 PLC ± - 4 PLC ± - ANGLES ± 1°		PRODUCT SPEC		NAME	
		108-20020		.312 SERIES FLAG FASTIN-FASTON REC.	
MATERIAL		SEE TABLE		FINISH	
FINISH		SEE TABLE		APPLICATION SPEC	
114-2065		WEIGHT		NA	
CUSTOMER DRAWING		SIZE	A3	CAGE CODE	00779
SCALE		1:1		DRAWING NO	C-880681
SHEET		1 OF 1		RESTRICTED TO	-
REV		B2			