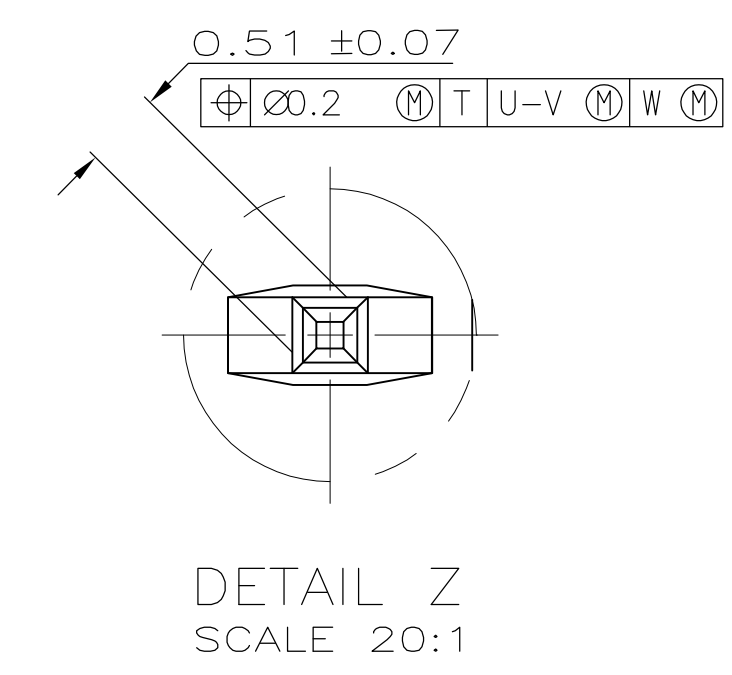
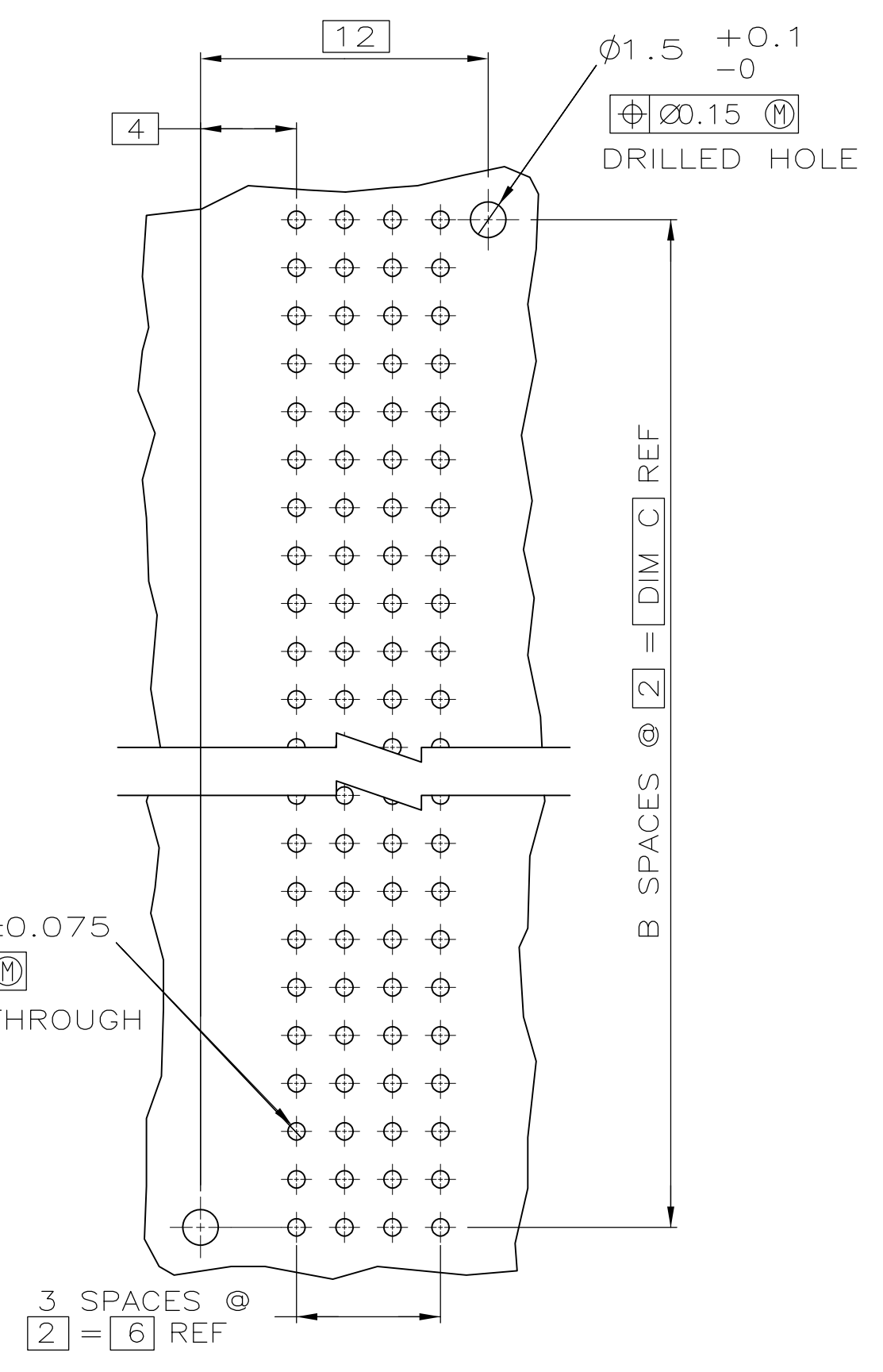
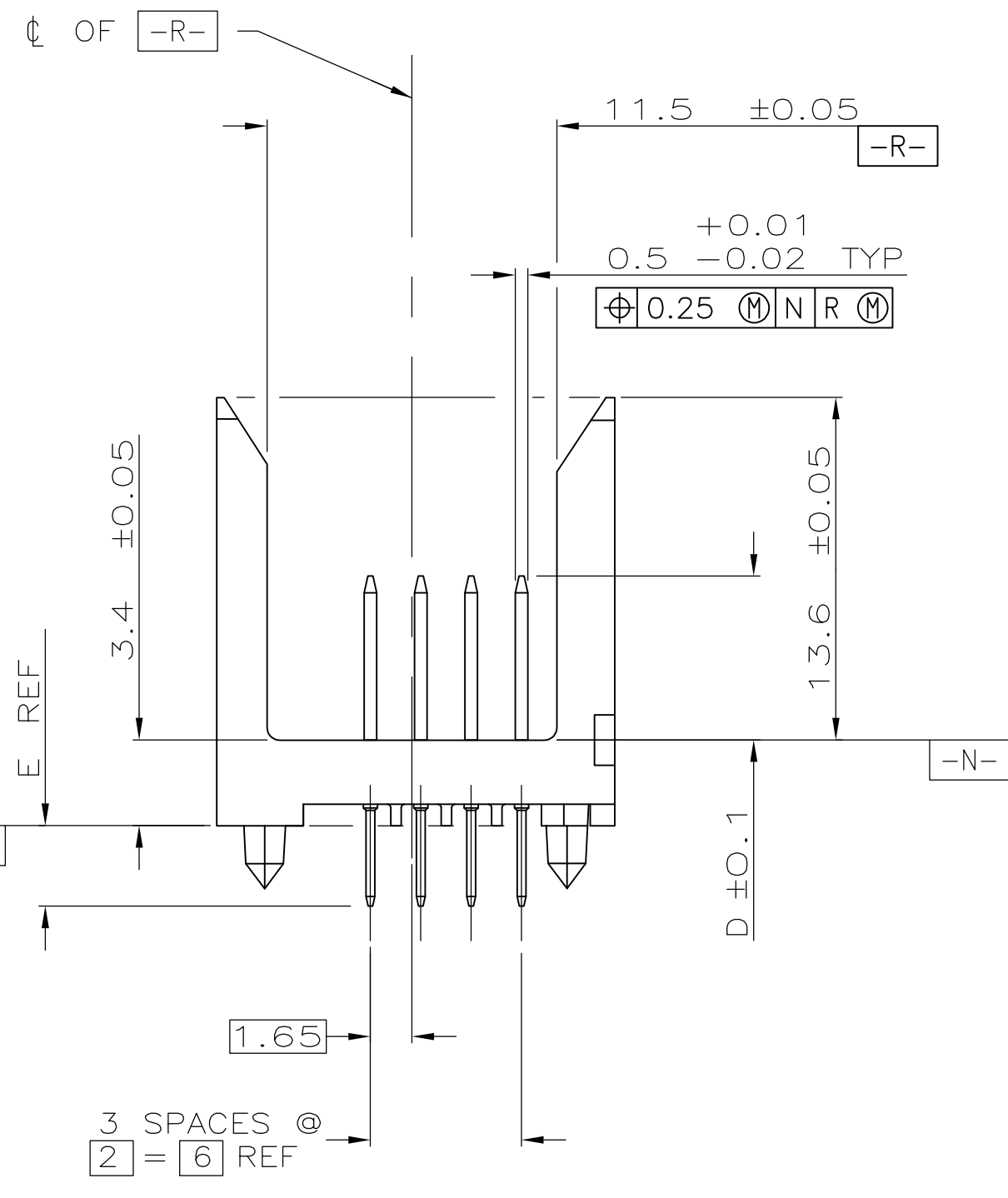
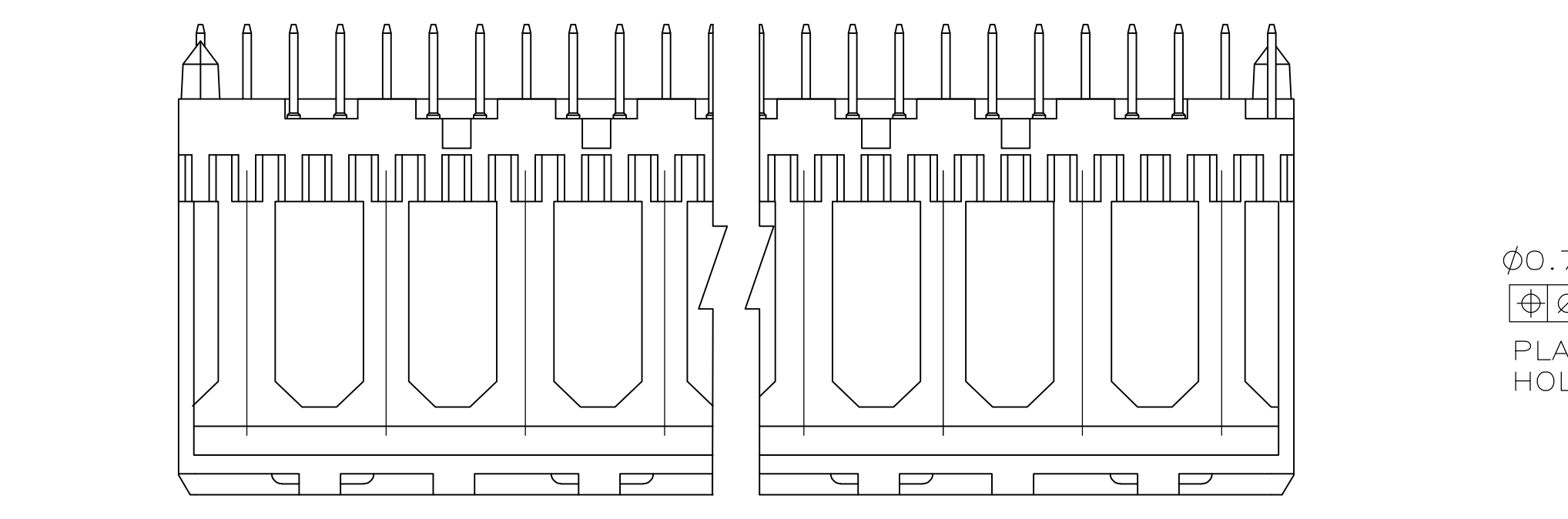
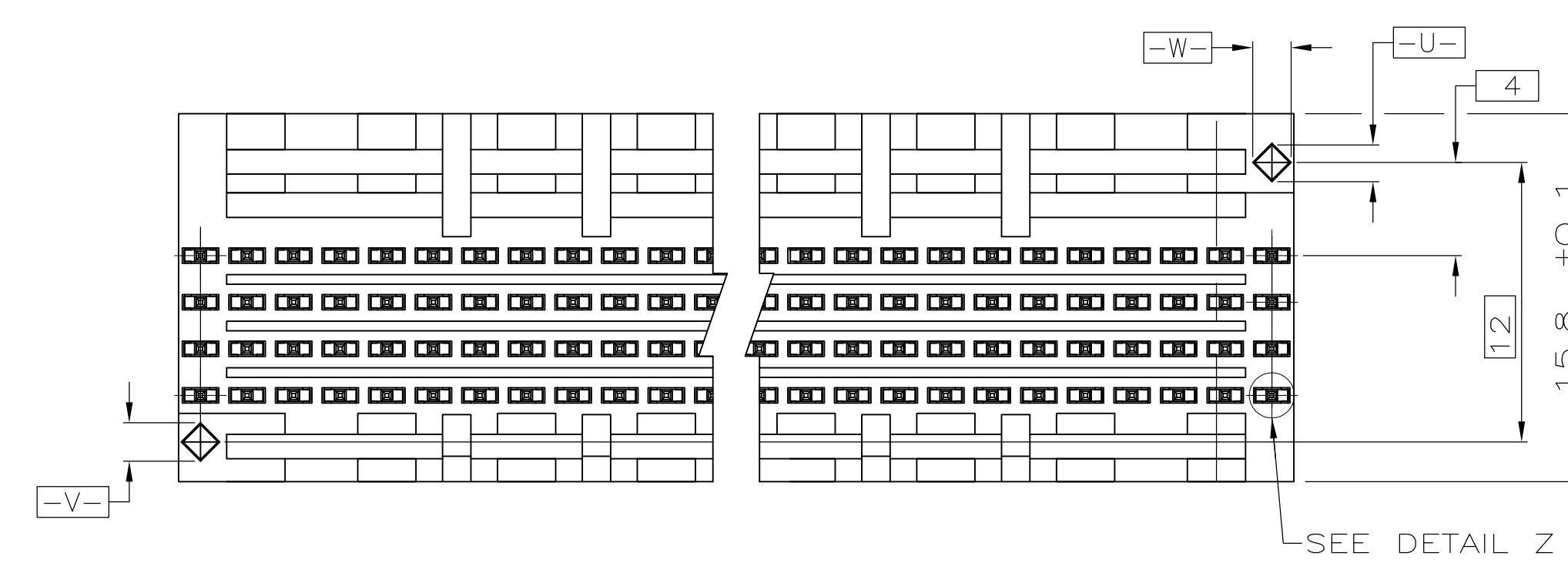
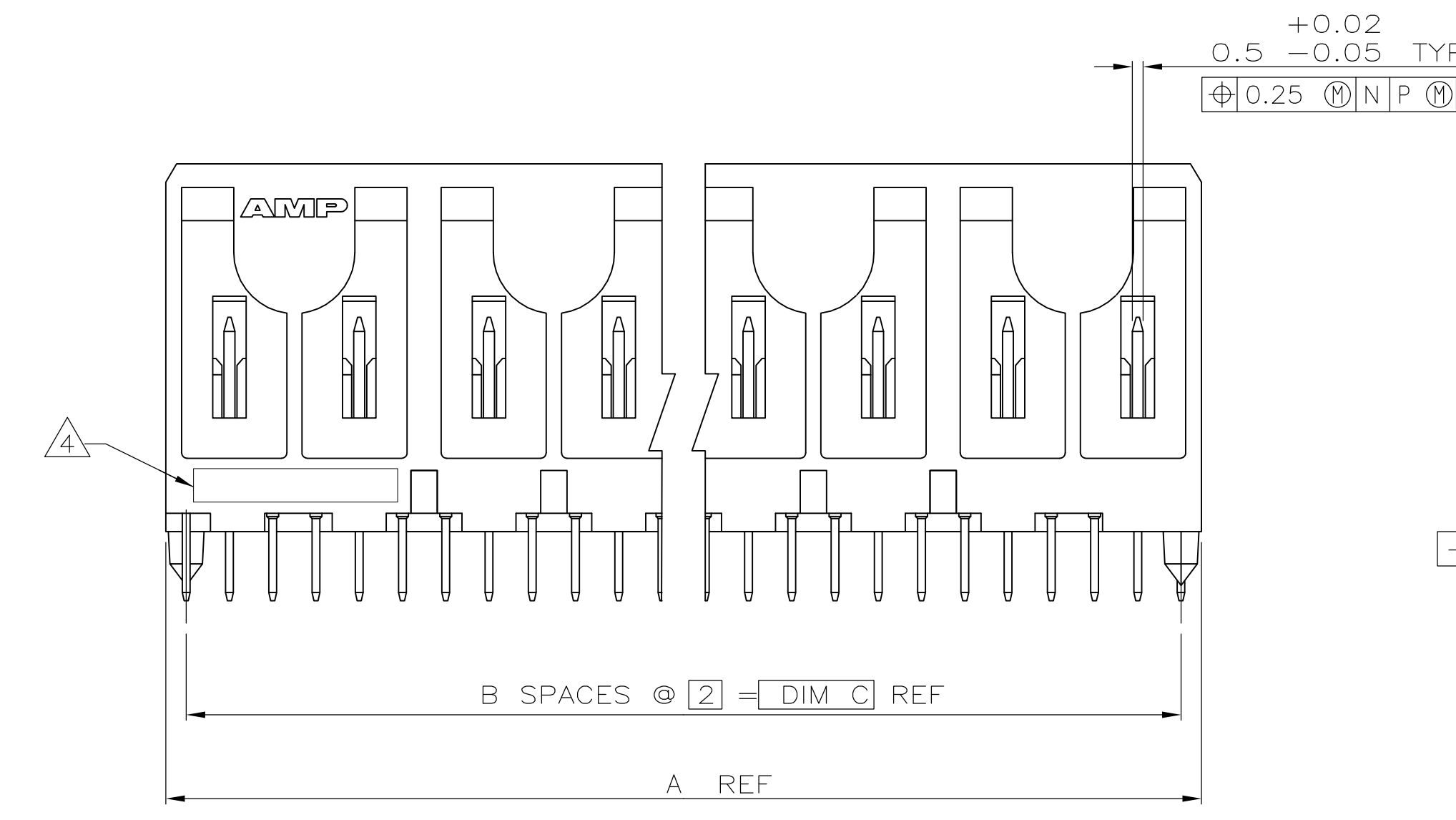
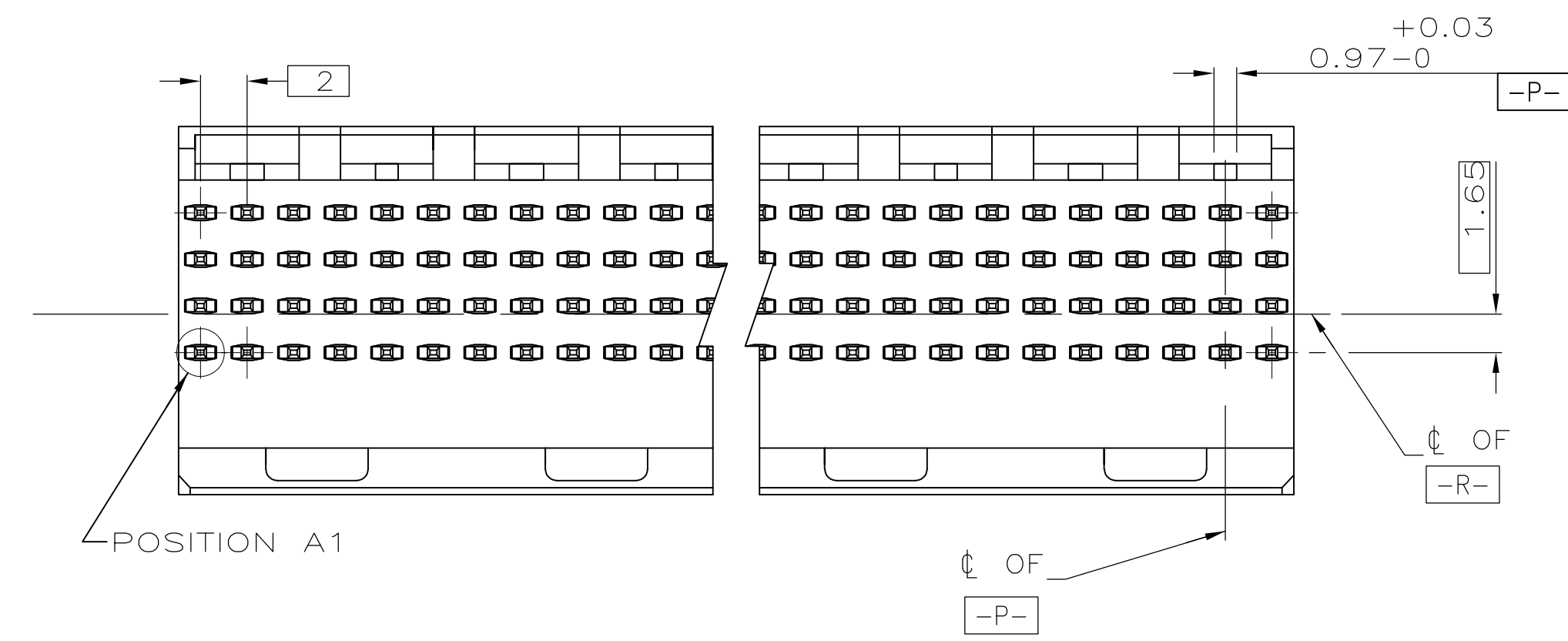


LOC		DIST		REVISIONS			
AD	47	REV	DATE	BY	CHK	APPV	
L2		REVISED PER ECO-05-013208	14FEB06	JDP	RW		
L3		REVISED PER ECO-09-021826	08JAN10	KK	AEG		



- 1 HOUSING MATERIAL: LIQUID CRYSTAL POLYMER PER ASTM D5138 LCP000 G30A 32250.
- 2 CONTACT MATERIAL: PHOSPHOR BRONZE.
- 3 CONTACT FINISH:
 UNDERPLATE (ENTIRE CONTACT):
 0.00127 MIN NICKEL.
 ON MATING SURFACES:
 CONFORMS TO ALL TESTING SPECIFIED FOR TELCORDIA UNCONTROLLED ENVIRONMENT.
 ON LEADS
 0.00381 MIN TIN-LEAD OVER UNDERPLATE.
 LUBRICATION (ENTIRE CONTACT):
 SURFACE CONDITIONER PER AMP SPEC 112-1002 AFTER PLATING.
- 4 PART MARKING PER AMP INCORPORATED SPECIFICATION 115-9009, LOCATED APPROXIMATELY AS SHOWN.
- 5 OBSOLETE PARTS: OBSOLETE CIS STREAMLINING PER D.RENAUD/D.SINISI

RECOMMENDED CIRCUIT PATTERN
 PER IPC-D300 TYPE II, CLASS C
 (COMPONENT SIDE)

	3.2	6.5	34	17	35.88		72	1-536536-1
OBSELETE	-	-	-	-	-		-	-
SUPERSEDED BY 5536536-6	3.2	6.5	58	29	59.88		120	536536-6
	3.2	6.5	94	47	95.88		192	536536-4
SUPERSEDED BY 5536536-3	3.2	6.5	46	23	47.88		96	536536-3
	3.2	6.5	22	11	23.88		48	536536-2
OBSELETE	3.2	6.5	10	5	11.88		24	536536-1
	E	D	C	B	A	FINISH	NO OF POSN	PART NUMBER

THIS DRAWING IS A CONTROLLED DOCUMENT.

DIMENSIONS: mm

TOLERANCES UNLESS OTHERWISE SPECIFIED:

0. PLC	±	-
1. PLC	±	-
2. PLC	±	0.13
3. PLC	±	-
4. PLC	±	-
ANGLES	±	-

MATERIAL: 1, 2

FINISH: 3

THIS DRAWING IS A CONTROLLED DOCUMENT.

DIN: D.R.BENDER 08/17/94

CHK: D.R.RAFCHTLE 08/18/94

APPV: -

NAME: Tyco Electronics

PRODUCT SPEC: Z-PACK 2mm FB, SIGNAL MODULE, PIN ASSEMBLY 2mm

APPLICATION SPEC: -

SIZE: A1

CAGE CODE: 00779

DRAWING NO: 536536

RESTRICTED TO: -

WEIGHT: -

CUSTOMER DRAWING

SCALE: 4:1

SHEET: 1 OF 1

REV: L3