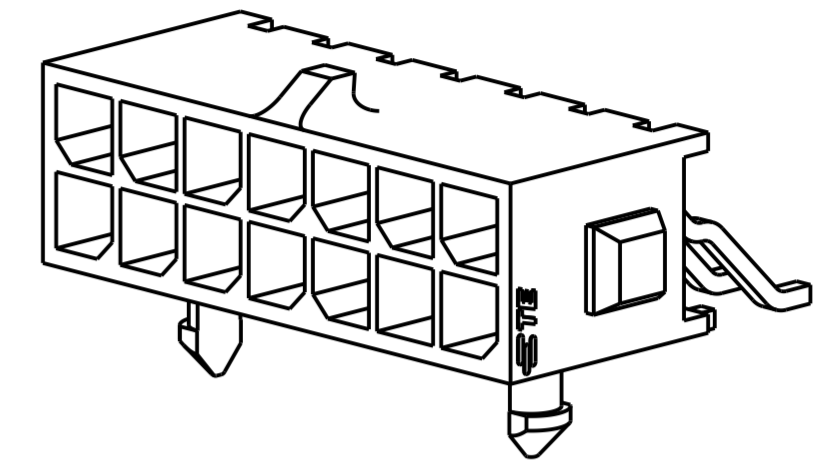
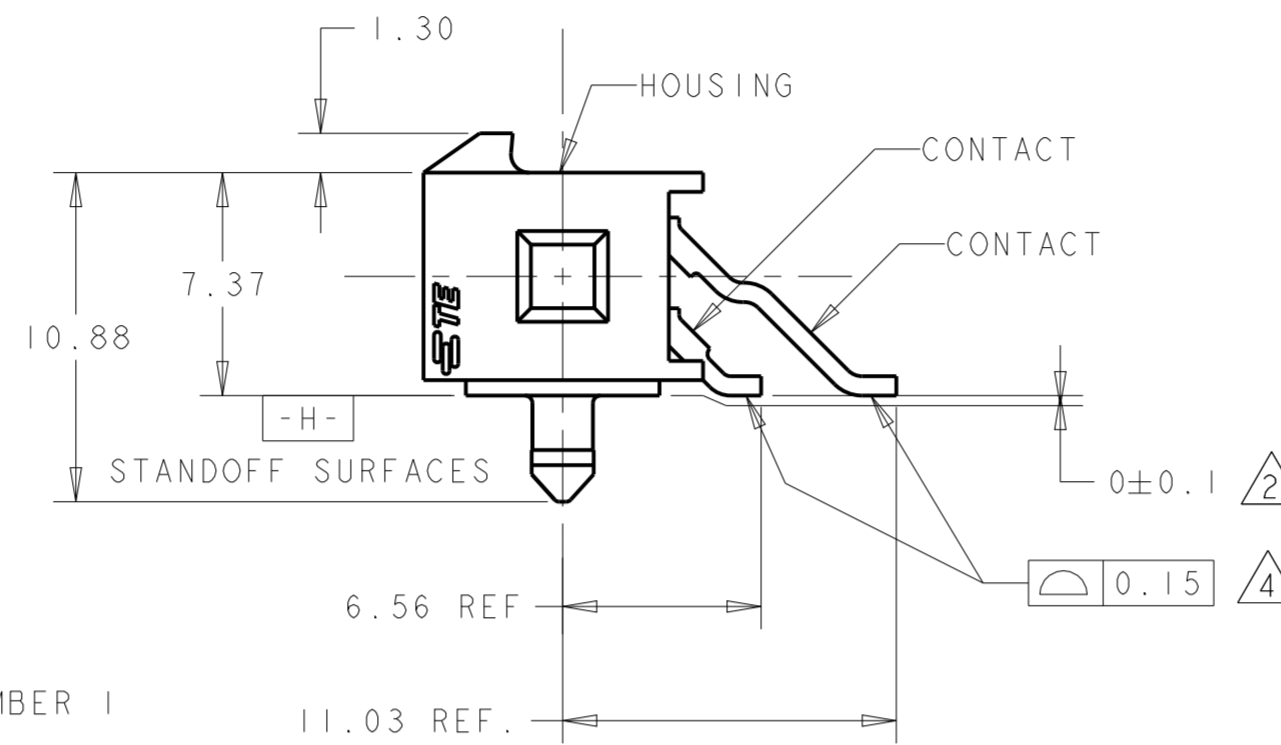
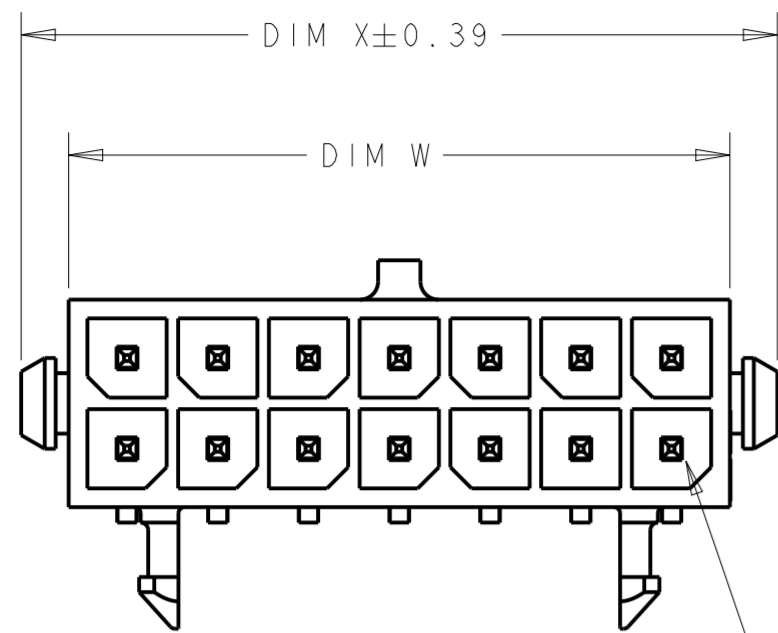
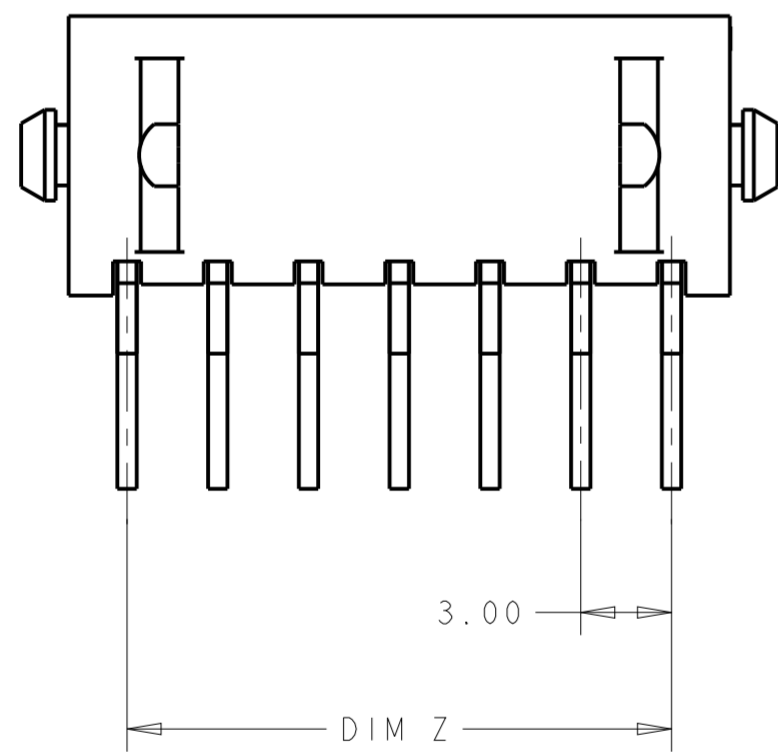


P	LTR	DESCRIPTION	DATE	DWN	APVD
G1		REVISED PER ECR-16-011494	22JUN2017	NK	CX
G2		ECO-19-006502	30APR2019	AP	WLS
G3		REVISED PER ECO-20-009852	14JUL2020	WLS	DZ
G4		REVISED PER ECN-21-100661	18FEB2021	WLS	VS



CIRCUIT NUMBER 1

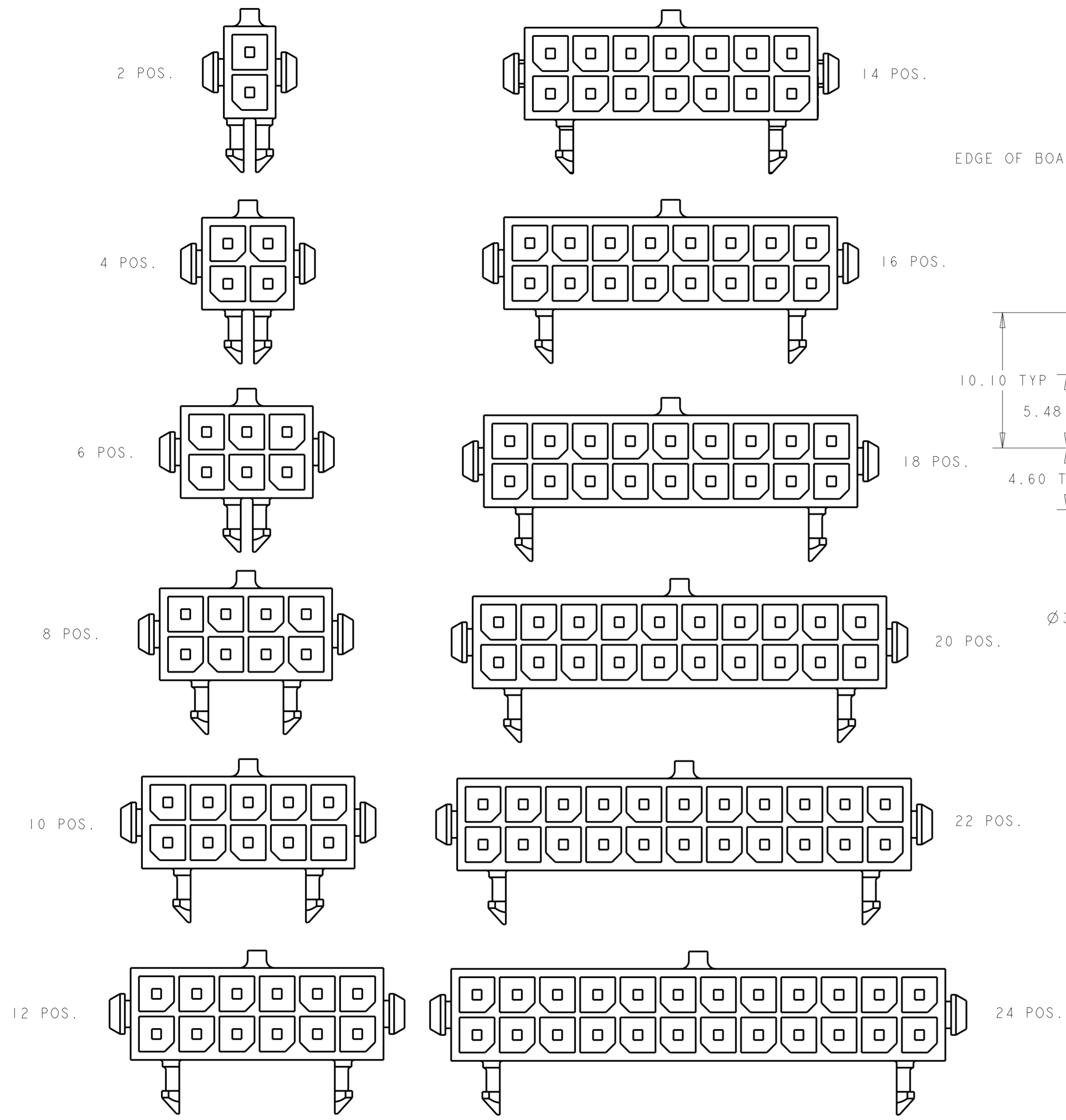


- 1 MATERIAL;  
HOUSING - UL 94V-0 RATED HIGH TEMP NYLON, COLOR BLACK.  
CONTACTS - BRASS.
  - 2 DIMENSION APPLIES TO SOLDERTAIL SURFACES AND STANDOFF SURFACES.
  - 3 RECOMMENDED PC BOARD THICKNESS OF 1.57.
  - 4 ALL SOLDERTAILS.
  - 5 FINISH;  
CONTACTS - 2.54µm MINIMUM MATTE TIN OVER 1.27µm MINIMUM NICKEL.
- 6 COUNTERPART RECOMMENDED IS PN 794617 (DASH ACCORDING TO NUMBER OF POSITION).
- 7 FOR REELING DIRECTION AND PACKAGING TYPE, SEE SPECIFICATION 114-13000.

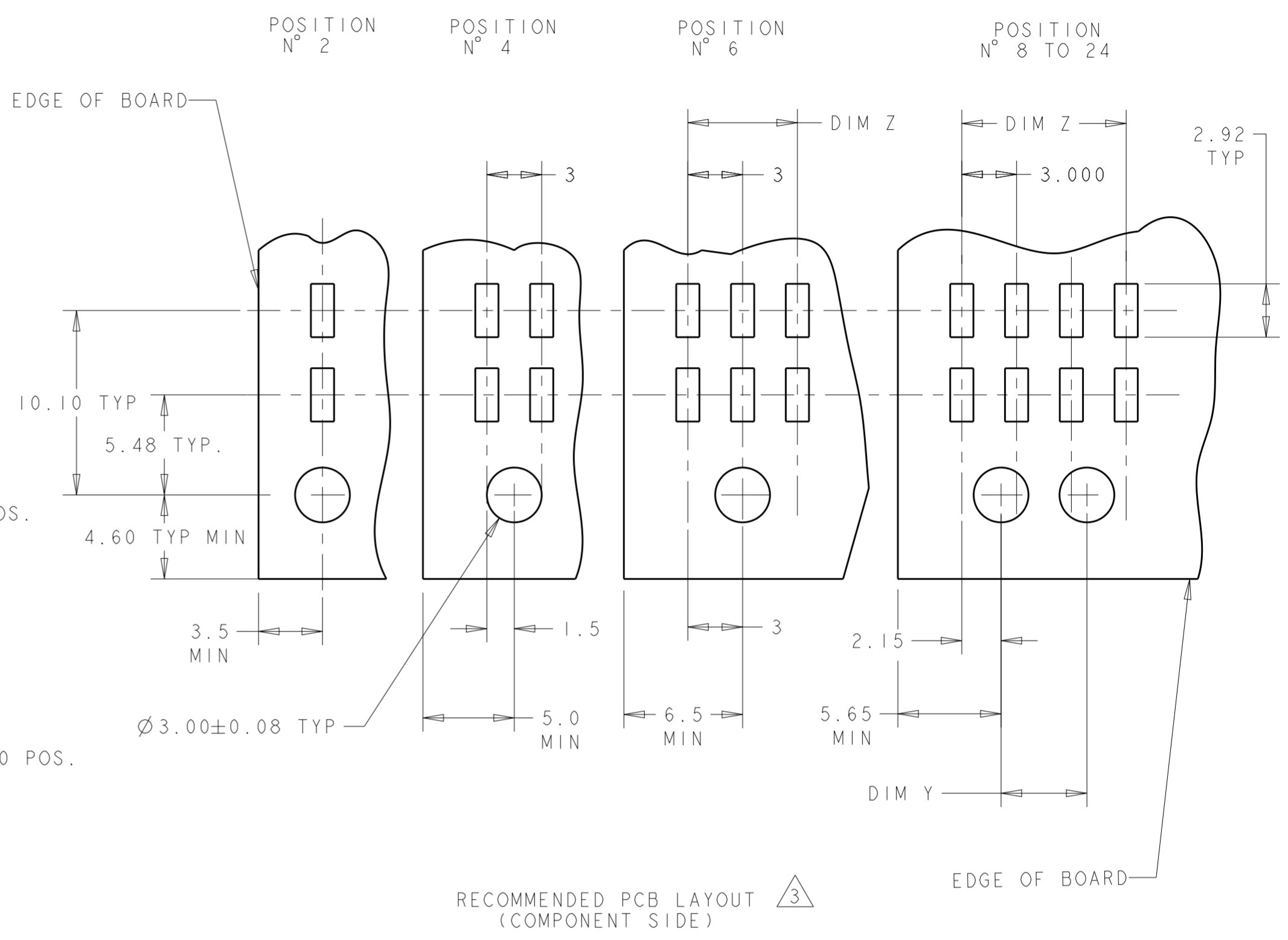
36.86	28.70	33.00	40.00	24	5-794621-4
33.86	25.70	30.00	37.00	22	5-794621-2
30.86	22.70	27.00	34.00	20	5-794621-0
27.86	19.70	24.00	31.00	18	4-794621-8
24.86	16.70	21.00	28.00	16	4-794621-6
21.86	13.70	18.00	25.00	14	4-794621-4
18.86	10.70	15.00	22.00	12	4-794621-2
15.86	7.70	12.00	19.00	10	4-794621-0
12.86	4.70	9.00	16.00	8	3-794621-8
9.86	-	6.00	13.00	6	3-794621-6
6.86	-	3.00	10.00	4	3-794621-4
3.86	-	-	7.00	2	3-794621-2
DIM W	DIM Y	DIM Z	DIM X	NO. OF POSN.	PART NUMBER

THIS DRAWING IS A CONTROLLED DOCUMENT.		DWN S. HOOVER 23-MAR-2005	TE Connectivity	
DIMENSIONS: mm		CHK C. JONES 23-MAR-2005		
TOLERANCES UNLESS OTHERWISE SPECIFIED:		APVD C. JONES 23-MAR-2005	NAME ASSEMBLY, SURFACE MOUNT, R/A, TIN HEADER, PLASTIC BOARDLOCK, MICRO MATE-N-LOK(TM)	
0 PLC ± 1 PLC ± 2 PLC ±0.13 3 PLC ± 4 PLC ±		PRODUCT SPEC 108-1836	SIZE   CAGE CODE   DRAWING NO	
ANGLES ±1° FINISH		APPLICATION SPEC 114-13000	RESTRICTED TO	
MATERIAL		WEIGHT -	A2p0779C-794621	
1		CUSTOMER DRAWING		SCALE 4:1   SHEET 1 OF 2   REV G4

REVISIONS				
P	LTR	DESCRIPTION	DATE	APVD
-	-	SEE SHEET 1	-	-



KEYING BY POSITION SIZE



THIS DRAWING IS A CONTROLLED DOCUMENT.		DWN S. HOOVER 23-MAR-2005	<b>STE</b> TE Connectivity													
DIMENSIONS: mm		CHK C. JONES 23-MAR-2005														
TOLERANCES UNLESS OTHERWISE SPECIFIED:		APVD C. JONES 23-MAR-2005														
<table border="0"> <tr> <td>0 PLC</td> <td>±</td> </tr> <tr> <td>1 PLC</td> <td>±</td> </tr> <tr> <td>2 PLC</td> <td>±0.13</td> </tr> <tr> <td>3 PLC</td> <td>±</td> </tr> <tr> <td>4 PLC</td> <td>±</td> </tr> <tr> <td>ANGLES</td> <td>±1°</td> </tr> <tr> <td>FINISH</td> <td>-</td> </tr> </table>		0 PLC		±	1 PLC	±	2 PLC	±0.13	3 PLC	±	4 PLC	±	ANGLES	±1°	FINISH	-
0 PLC	±															
1 PLC	±															
2 PLC	±0.13															
3 PLC	±															
4 PLC	±															
ANGLES	±1°															
FINISH	-															
MATERIAL	-	APPLICATION SPEC 114-13000	NAME ASSEMBLY, SURFACE MOUNT, R/A, TIN HEADER, PLASTIC BOARDLOCK, MICRO MATE-N-LOK(TM)													
		WEIGHT -	SIZE   CAGE CODE   DRAWING NO A20779   C-794621													
		CUSTOMER DRAWING	RESTRICTED TO													
		SCALE 4:1	SHEET 2 OF 2													
			REV G4													