

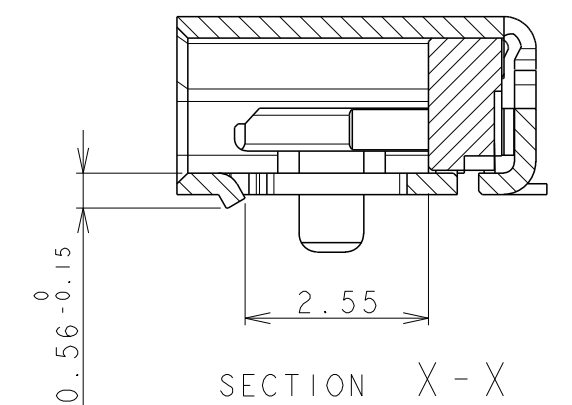
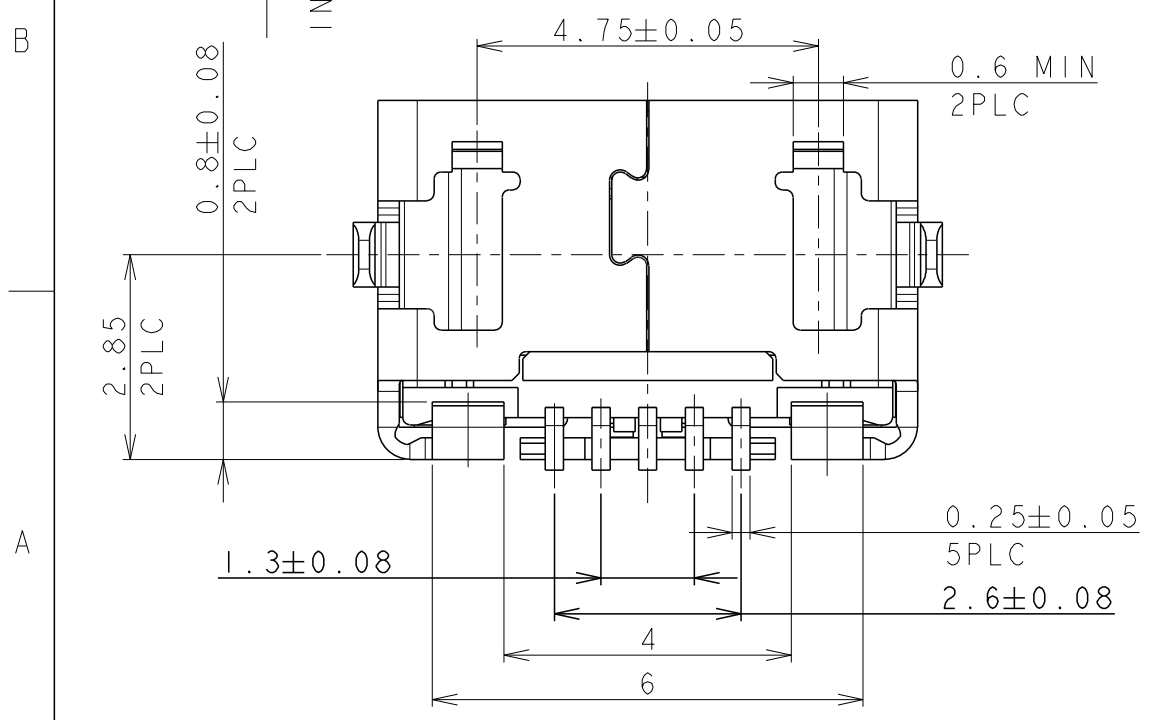
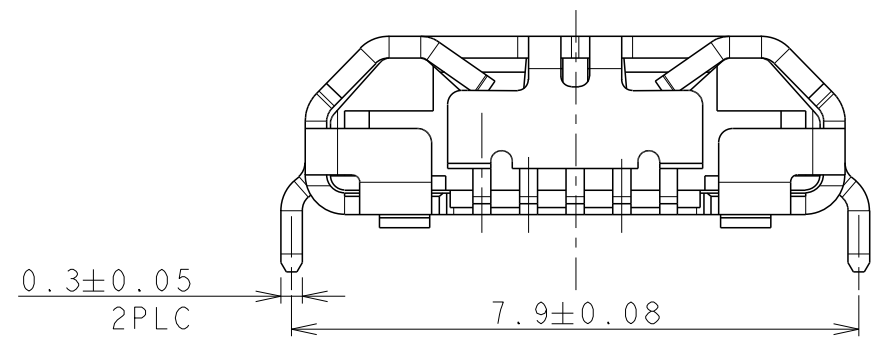
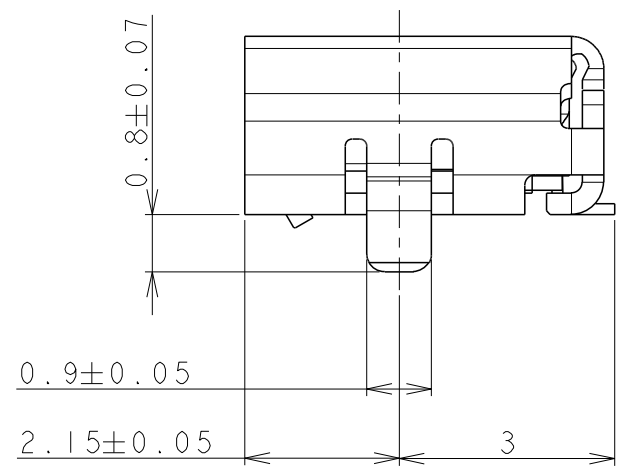
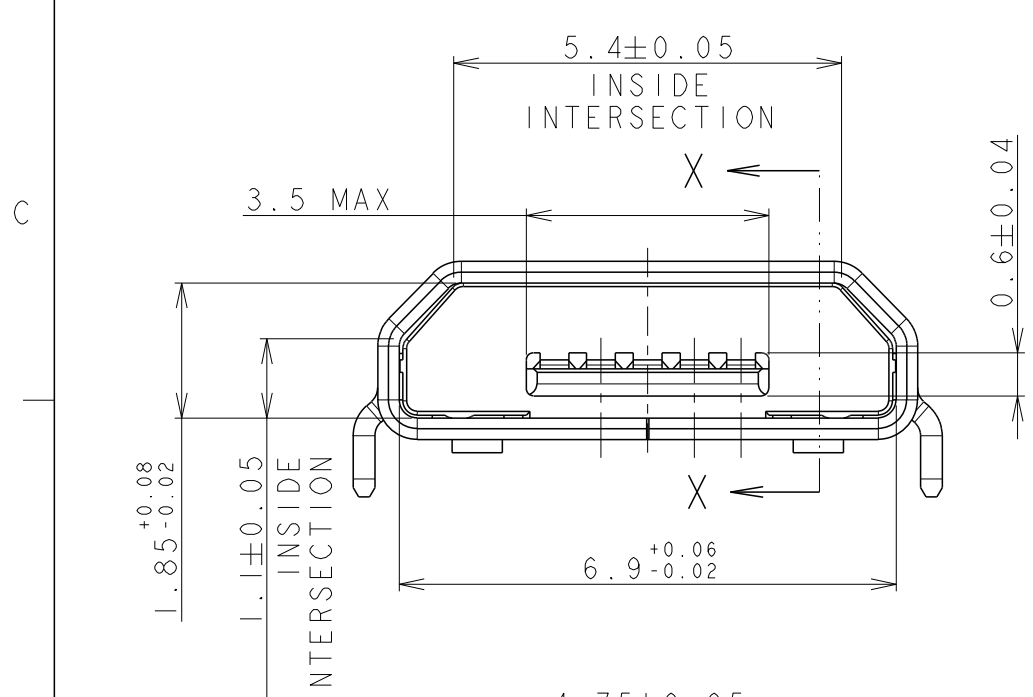
△ MATERIAL
 CONTACT: COPPER ALLOY
 SHELL: STAINLESS STEEL
 HOUSING: HIGH TEMPERATURE THERMO PLASTIC
 UL94V-0 BLACK

△ FINISH
 CONTACT: 0.5 um MIN. GOLD PLATING ON CONTACT SURFACE AND
 0.05 um MIN. GOLD PLATING ON SOLDERING TINE SURFACE
 ALL OVER 0.8 um MIN NICKEL UNDER PLATING.
 SHELL: TIN PLATING ALL OVER NICKEL UNDER PLATING.
 CONTACT COPLANARITY: 0.08 MAX
 REFERENCE PICK AND PLACE AREA.
 DATE CODE MARKING: YYWWD (YEAR/WEEK/DAY)
 SLP4 (SHIFT, LINE, P4=REVISION CODE)

△ 3
 △ 7

△ 6 RECOMMENDED PCB LAYOUT (GENERAL TOLERANCE: ±0.05)
 VIEWED FROM CONNECTOR MOUNT SIDE
 SCALE 5:1

△ 7 RECOMMENDED STENCIL THICKNESS: 0.10mm.



1932788-1; AS SHOWN

THIS DRAWING IS A CONTROLLED DOCUMENT.		DWN	Ming Shi	01AUG2011	
		CHK	Martin Li	01AUG2011	
		APVD	Steven Yao	01AUG2011	
DIMENSIONS: mm		TOLERANCES UNLESS OTHERWISE SPECIFIED: ±0.3			
		0 PLC	±		
		1 PLC	±		
		2 PLC	±		
		3 PLC	±		
		4 PLC	±		
		ANGLES	±	±5°	
MATERIAL		FINISH			
△ 1		△ 2			
THIS DRAWING IS UNPUBLISHED. RELEASED FOR PUBLICATION © COPYRIGHT 20 ALL RIGHTS RESERVED.		LOC	ES	DIST	00
		REVISIONS			
P	LTR	DESCRIPTION	DATE	DWN	APVD
	A	RELEASE	01AUG2011	M.S	S.Y
	A2	REVISED PER ECO-18-018110	19NOV2018	T.Z	S.L
NAME		MICRO USB CONNECTOR RECEPTACLE REVERSE TYPE B FLANGELESS			
SIZE	CAGE CODE	DRAWING NO	RESTRICTED TO		
A3	00779	C-1932788			
CUSTOMER DRAWING		SCALE	8:1	SHEET	1 OF 2
				REV	A2

4

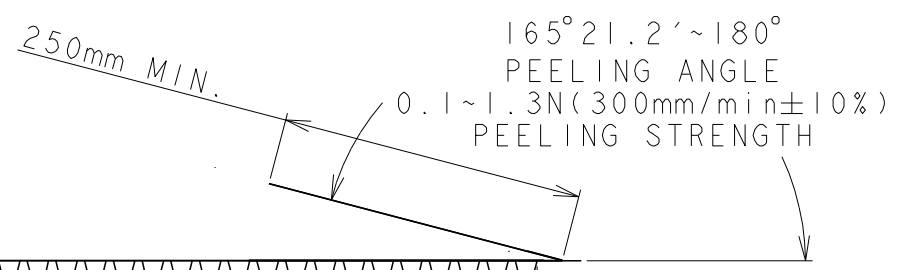
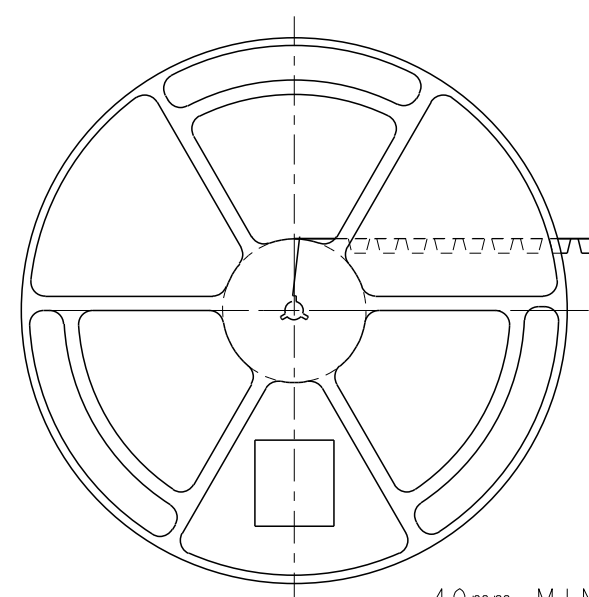
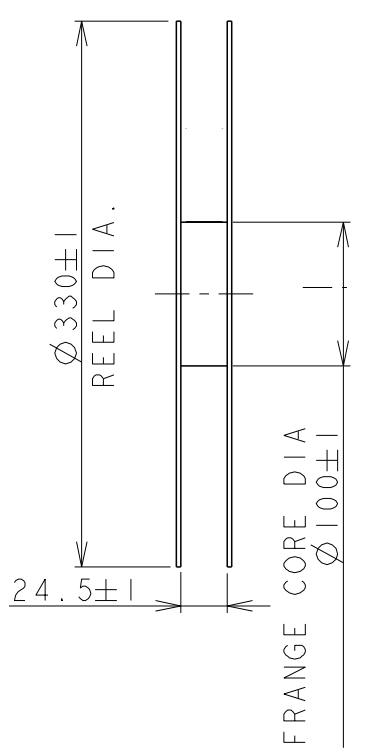
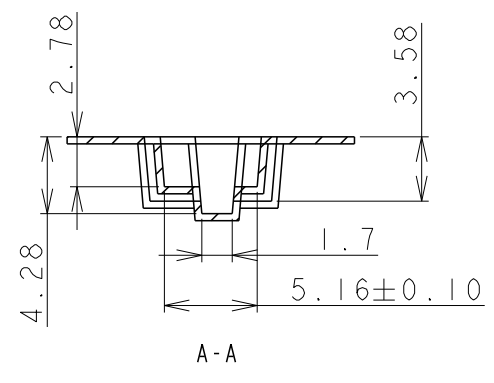
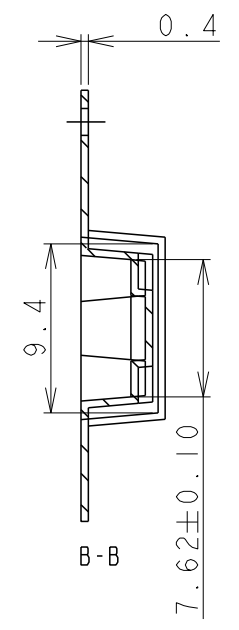
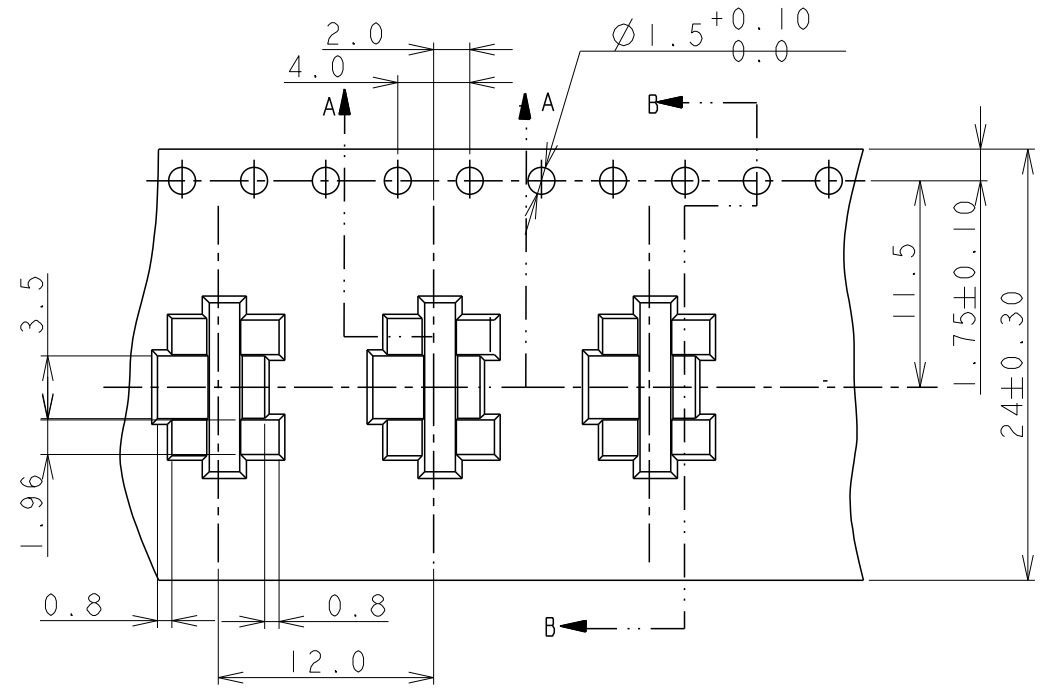
3

2

1

THIS DRAWING IS UNPUBLISHED. RELEASED FOR PUBLICATION 20
 © COPYRIGHT 20 ALL RIGHTS RESERVED.

LOC	DIST	REVISIONS			
P	LTR	DESCRIPTION	DATE	DWN	APVD
ES	00	SEE SHEET 1	01AUG2011	Y.H	S.Y
A					



40mm MIN. WITHOUT CHARGE SEALED WITH COVER TAPE
 WITH PRODUCT CHARGE 1000 PCS/IREEL
 100mm MIN. WITHOUT CHARGE SEALED WITH COVER TAPE

NOTES:
 1. MATERIAL: ANTISTATIC PS CLEAR, THICKNESS 0.40mm.
 2. QUANTITY PER REEL: 1000 PCS.

THIS DRAWING IS A CONTROLLED DOCUMENT.		DWN	Ming Shi	01AUG2011		 TE Connectivity	MICRO USB CONNECTOR RECEPTACLE REVERSE TYPE B FLANGELESS	RESTRICTED TO			
DIMENSIONS: mm		CHK	Martin Li	01AUG2011							
TOLERANCES UNLESS OTHERWISE SPECIFIED: ±0.3		APVD	Steven Yao	01AUG2011							
0-PLC ± 1-PLC ± 2-PLC ± 3-PLC ± 4-PLC ± ANGLES ±5°		PRODUCT SPEC	108-115022-1								
MATERIAL		FINISH	WEIGHT	X.XXg		SIZE	A3	CAGE CODE	00779	DRAWING NO	C-1932788
CUSTOMER DRAWING			SCALE 8:1			SHEET 2 OF 2	REV A2				