

Protective covers - HC-STA-D07-HCLWS-PLR-BK - 1419274

Please be informed that the data shown in this PDF Document is generated from our Online Catalog. Please find the complete data in the user's documentation. Our General Terms of Use for Downloads are valid (<http://phoenixcontact.com/download>)




Protective cover D7, with single locking latch, material: PA, protective cover material: PA, height: 30 mm, seal: yes, Standard, With lanyard, diameter of retaining cord eyelet: 25 mm, for socket inserts



COMPLIANT

Key Commercial Data

Packing unit	1 pc
GTIN	 4 055626 160252
GTIN	4055626160252

Technical data

Dimensions

Height	30 mm
Width	24.2 mm
Length	24.2 mm

Ambient conditions

Degree of protection (IP)	IP66
Ambient temperature (operation)	-20 °C ... 100 °C

General

Size	D7
Type	For sleeve housing without single locking latch
Housing type	Protective cover
Color	black
Locking type	with single locking latch
Material	PA
Housing material	PA
Seal material	NBR
Material lock	PA
Material, protective cover	PA

Protective covers - HC-STA-D07-HCLWS-PLR-BK - 1419274

Technical data

General

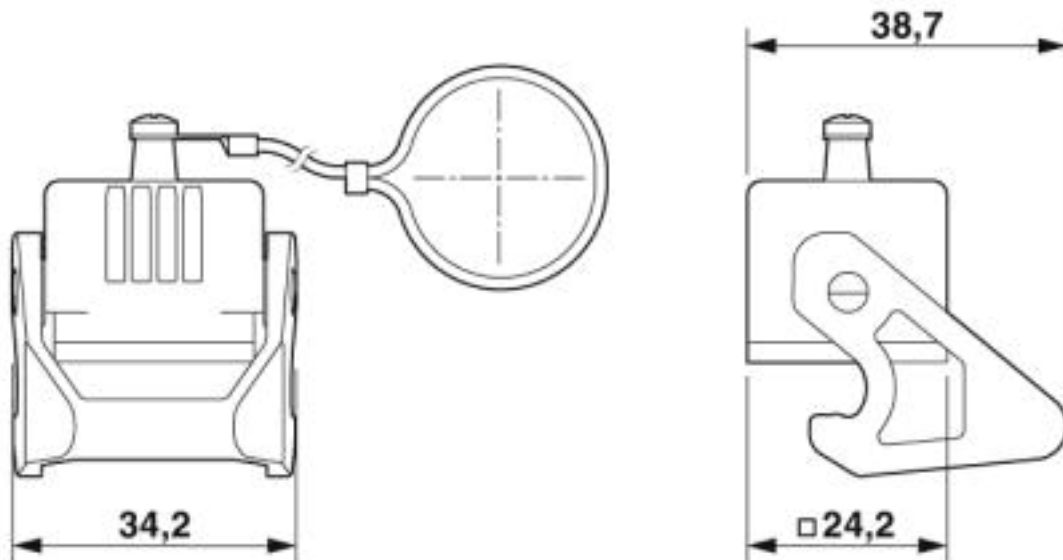
Flammability rating according to UL 94	V0 (Polyamide housing)
Connection	Plastic protective cover for short-term protection

Environmental Product Compliance

China RoHS	Environmentally Friendly Use Period = 50
	For details about hazardous substances go to tab "Downloads", Category "Manufacturer's declaration"

Drawings

Dimensional drawing



Dimensional drawing

Approvals

Approvals

Approvals

EAC / DNV GL

Ex Approvals

Approval details

Protective covers - HC-STA-D07-HCLWS-PLR-BK - 1419274

Approvals

EAC			RU C- DE.AI30.B.01102
-----	---	--	--------------------------

DNV GL		https://approvalfinder.dnvgl.com/	TAE000037S
--------	---	---	------------

Phoenix Contact 2019 © - all rights reserved
<http://www.phoenixcontact.com>

PHOENIX CONTACT GmbH & Co. KG
Flachsmarktstr. 8
32825 Blomberg
Germany
Tel. +49 5235 300
Fax +49 5235 3 41200
<http://www.phoenixcontact.com>