

THIS DRAWING IS UNPUBLISHED.

RELEASED FOR PUBLICATION

© COPYRIGHT - By -

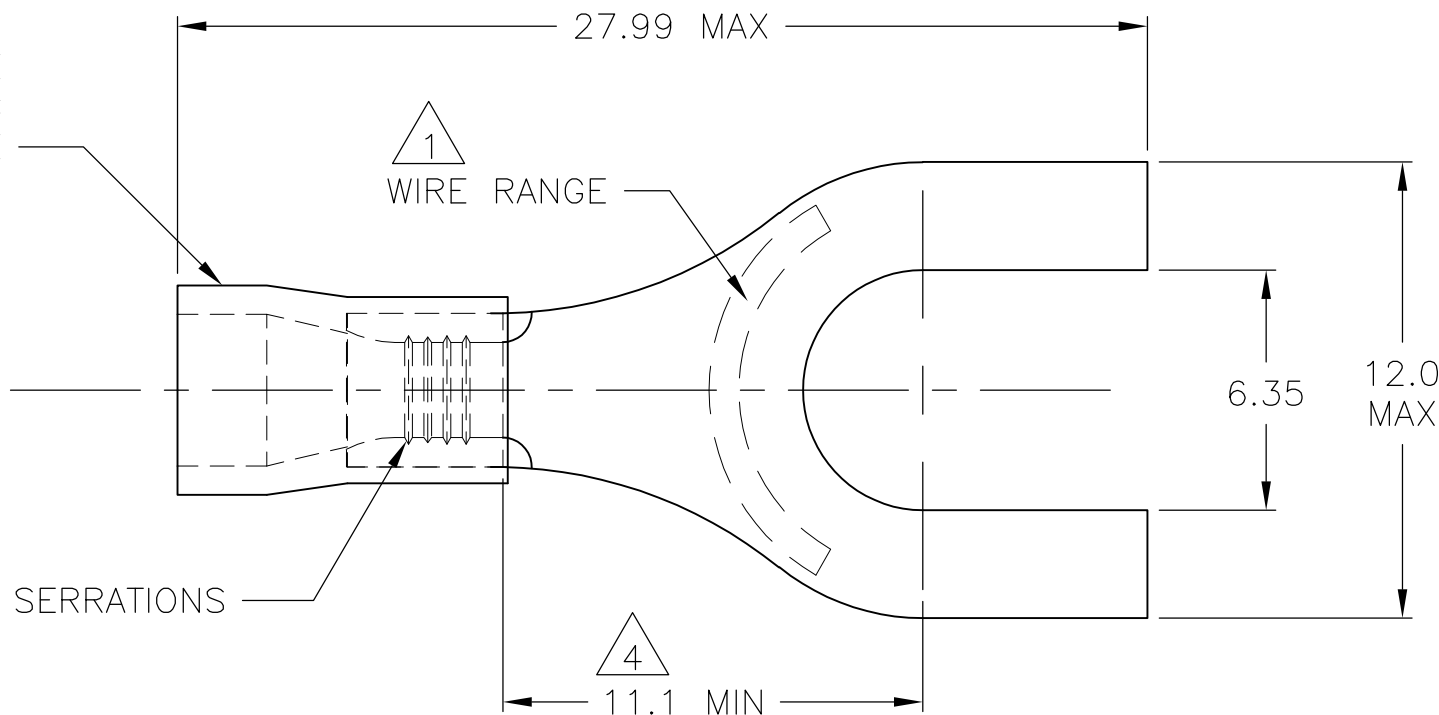
ALL RIGHTS RESERVED.

LOC: G DIST: 02

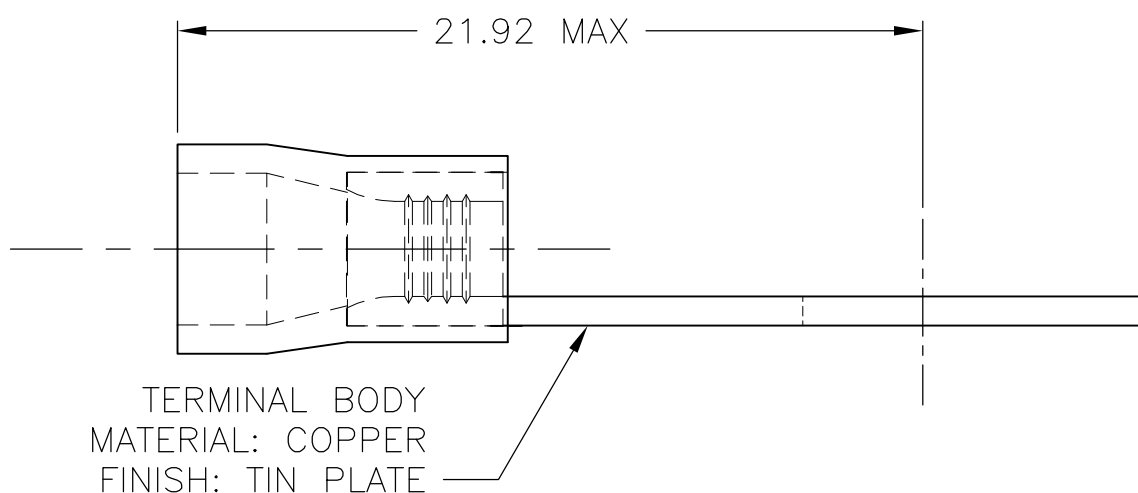
REVISIONS

P	LTR	DESCRIPTION	DATE	DWN	APVD
	C1	REVISED PER ECO-14-012836	21AUG2014	NK	DR

INSULATION SLEEVE  
MATERIAL: PVC  
COLOR: BLUE



- 1 WIRE SIZE IS 16-14 AWG
- 2 WIRE INSULATION DIA: 3.0-4.9
- 3 MATERIAL THICKNESS IS 0.80±0.05
- 4 DIMENSION APPLIES FROM EDGE OF METAL WIRE BARREL TO CENTER OF STUD HOLE.
- 5 600 VOLT MAX
- 6 CIRCULAR MIL AREA: 2,050-5,180 (1.04mm<sup>2</sup>-2.62mm<sup>2</sup>)



PLASTIC BAG	STANDARD	1000	130568
PACKAGING	LABELLING	QTY	PART NO

THIS DRAWING IS A CONTROLLED DOCUMENT.		DWN jr_ruth	08DEC05	<b>STE</b> TE Connectivity											
DIMENSIONS: mm		CHK T MICHELUTTI	08DEC05												
TOLERANCES UNLESS OTHERWISE SPECIFIED:		APVD T MICHELUTTI	08DEC05												
<table border="1"> <tr><td>0 PLC</td><td>± -</td></tr> <tr><td>1 PLC</td><td>± 0.5</td></tr> <tr><td>2 PLC</td><td>± -</td></tr> <tr><td>3 PLC</td><td>± -</td></tr> <tr><td>4 PLC</td><td>± -</td></tr> <tr><td>ANGLES</td><td>± 1°</td></tr> </table>		0 PLC	± -		1 PLC	± 0.5	2 PLC	± -	3 PLC	± -	4 PLC	± -	ANGLES	± 1°	NAME
0 PLC	± -														
1 PLC	± 0.5														
2 PLC	± -														
3 PLC	± -														
4 PLC	± -														
ANGLES	± 1°														
MATERIAL		PRODUCT SPEC		TERMINAL, SPADE, PLASTI-GRIP,											
FINISH		APPLICATION SPEC		SIZE											
		WEIGHT		CAGE CODE											
		CUSTOMER DRAWING		DRAWING NO											
				RESTRICTED TO											
				SCALE											
				SHEET											
				REV											
				C1											