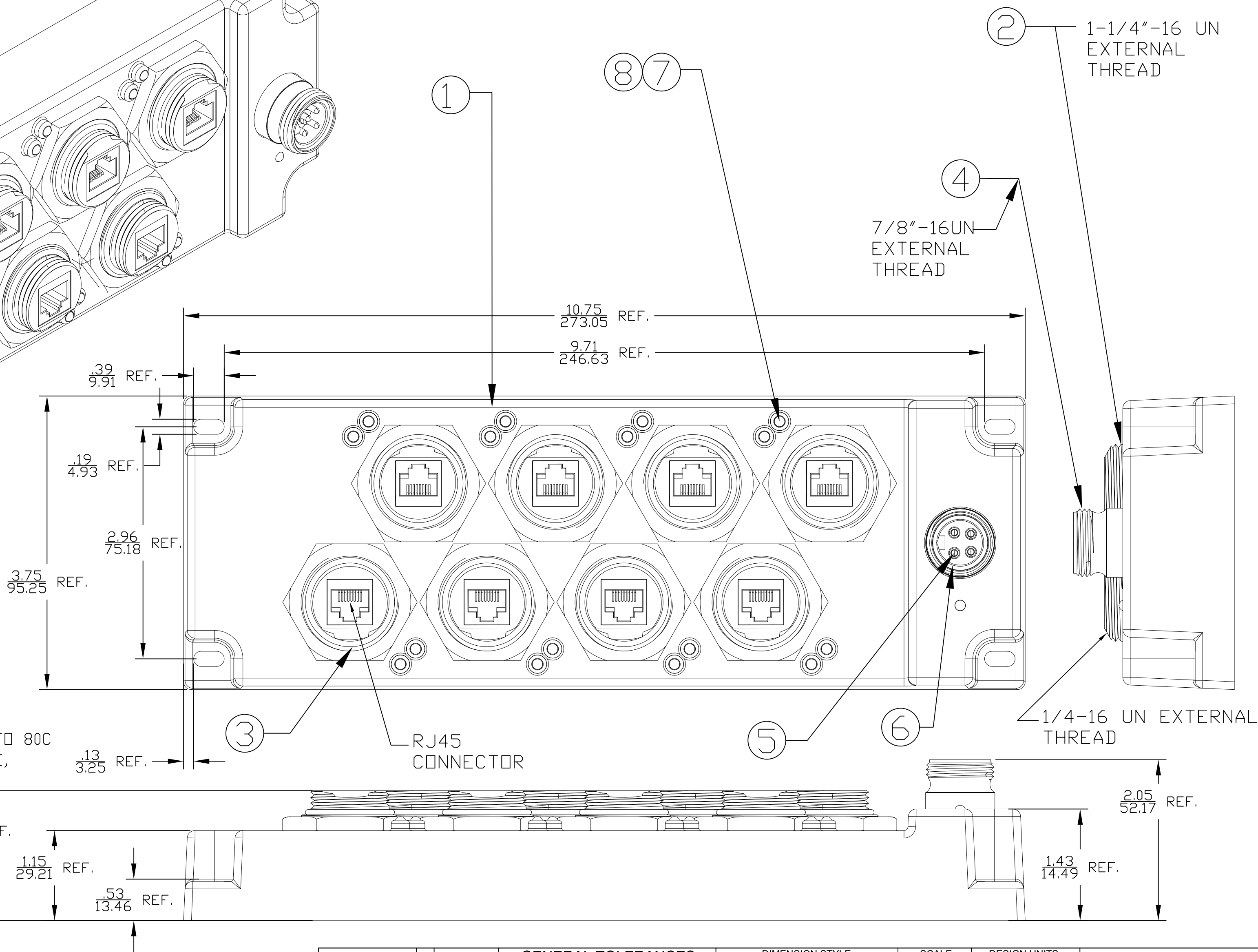
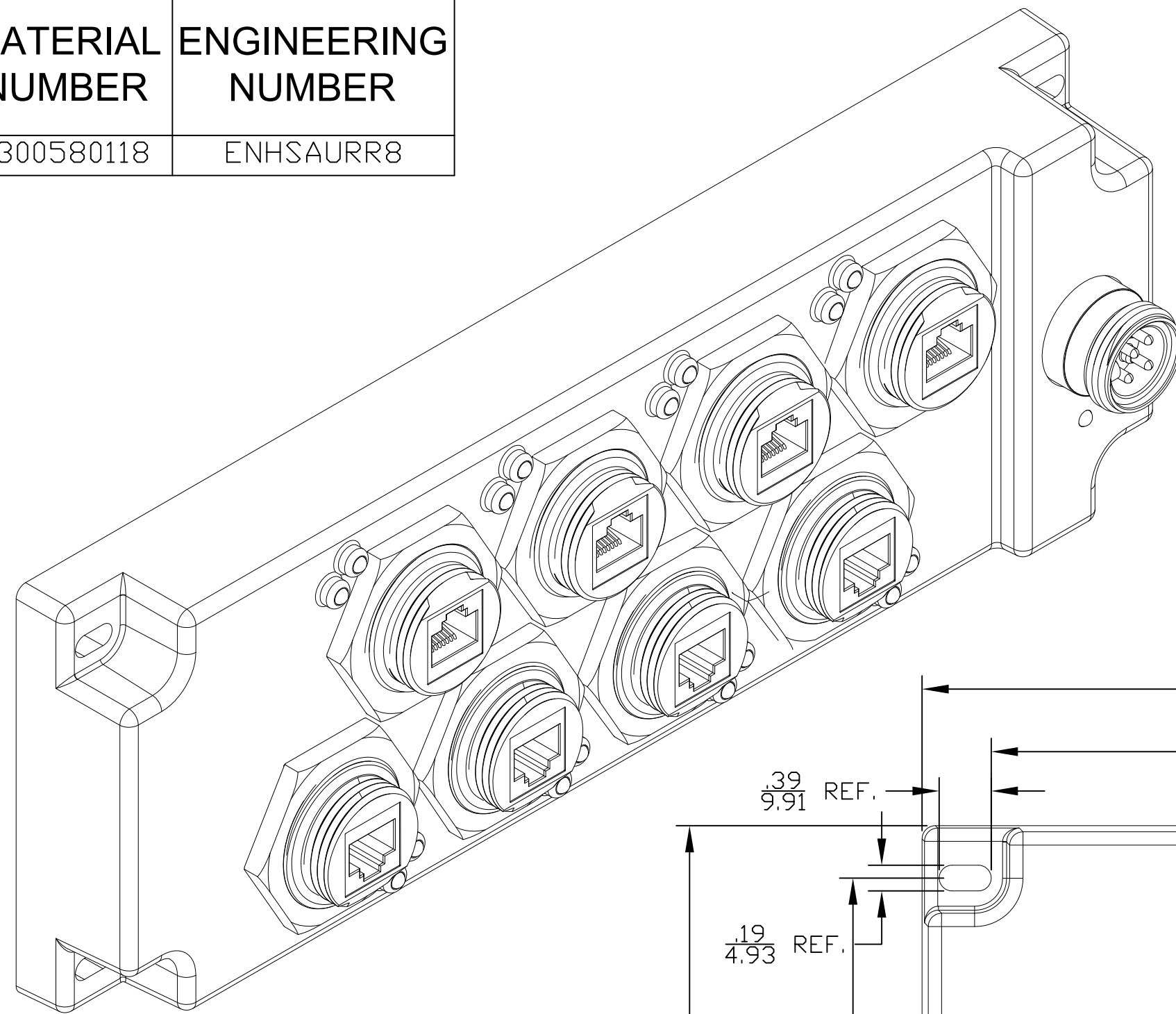


MATERIAL NUMBER ENGINEERING NUMBER

1300580118 ENHSAURR8



NOTES:

- 1) MATERIAL: SEE TABLE
- 2) FINISHES: SEE TABLE
- 3) ELECTRICAL DATA:
REQUIRED POWER: 10-30V AC/DC
- 4) ENVIRONMENTAL:
PROTECTION IP67
OPERATING TEMPERATURE RANGE: -40C TO 80C
- 5) LABEL IS MARKED WITH P/N, DATE CODE,

ITEM	QTY.	DESCRIPTION	MATERIAL	FINISH
8	8	SHORT LENS	POLYCARBONATE LEXAN 101-112	CLEAR
7	8	LONG LENS	POLYCARBONATE LEXAN 141	CLEAR
6	1	INSERT	PVC	YELLOW
5	4	PIN CONTACT	COPPER ALLOY	GOLD PLATED
4	1	MINI RECEPTACLE SHELL	BRASS ALLOY	BRIGHT NICKEL
3	8	O-RING	VITON	BROWN
2	1	RJLNXX RECEPTACLE HOUSING	PPA	BLACK
1	1	HOUSING	GE VALDX	BLACK

RELEASE EC NO: WNA2010-0682 DRWN: BWOODMAN 4/22/10 CH'KD: LHARTMAN APPR: JFMURPHY 2010/05/25	QUALITY SYMBOL	DESCRIPTION
	$\nabla=0$	
	$\sphericalangle=0$	
	REV	

GENERAL TOLERANCES (UNLESS SPECIFIED)	
	mm
4 PLACES	$\pm .005$
3 PLACES	$\pm .010$
2 PLACES	$\pm .013$
1 PLACE	$\pm .025$

DIMENSION STYLE	
---	----
DRAWN BY	DATE
BWOODMAN	2010/01/22
CHECKED BY	DATE
BWOODMAN	2010/01/22
APPROVED BY	DATE
JFMURPHY	2010/01/22
MATERIAL NO.	
SEE CHART	
SIZE	
C	

SCALE	DESIGN UNITS	THIRD ANGLE PROJECTION
1:1	INCH	
MACHINE MOUNT SWITCH 8-PORT RJ45 LNXX		
MOLEX INCORPORATED		
DOCUMENT NO.		SHEET NO.
SD-130058-004		1 OF 1
THIS DRAWING CONTAINS INFORMATION THAT IS PROPRIETARY TO MOLEX INCORPORATED AND SHOULD NOT BE USED WITHOUT WRITTEN PERMISSION		