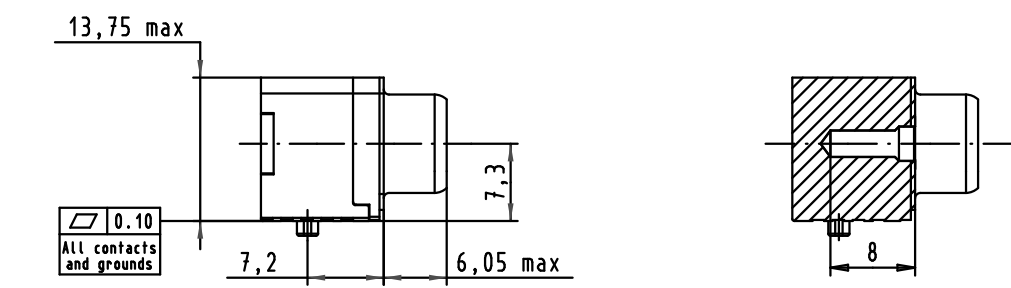
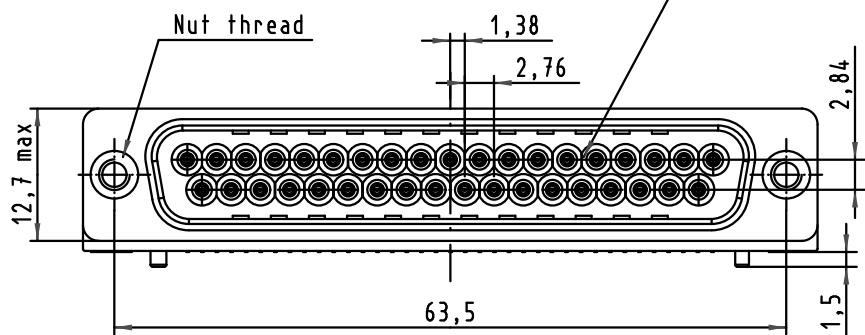


PCB Layout, component side (thickness 1,6mm min.)

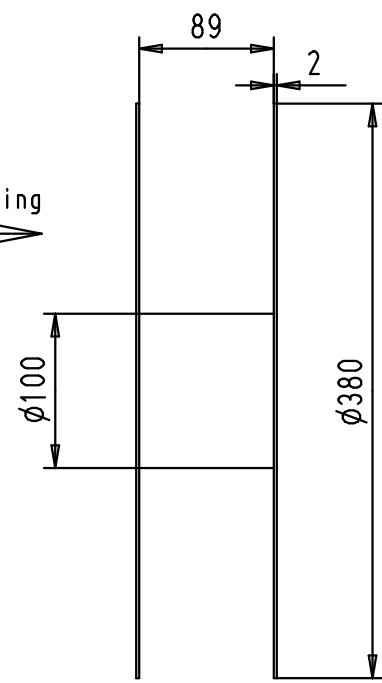
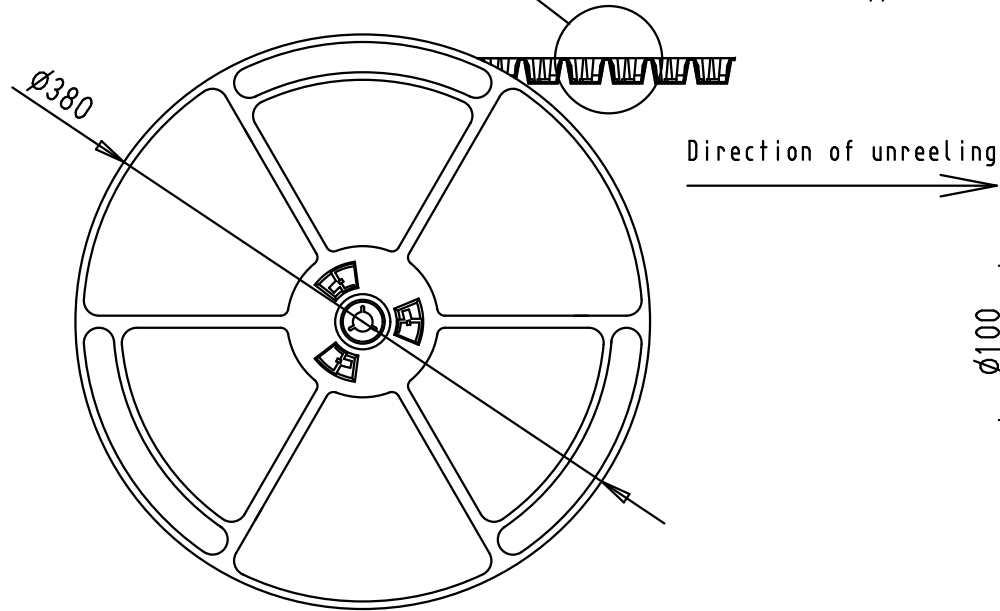
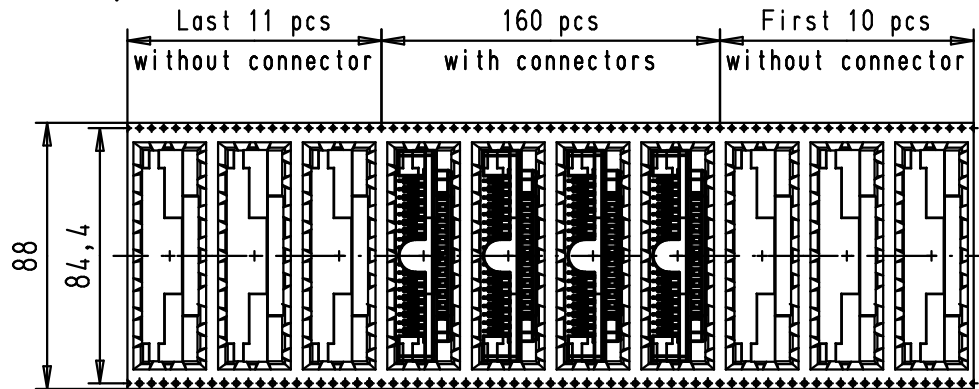
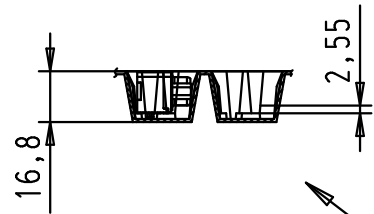


Mating face according to CECC 75301-802



Max. Temperature: 260°C during 10 seconds

D	09554663812.741	1	4-40 UNC	Black Insulator	Reel Packaging (140 connectors) see page 2/2					Dot.	Name	<p>All Dim. in mm Orig. Size DIN A 4</p>	D-SUB Standard 37p Male Right angled SMT with die casted grounds and nuts	Moßstab/ Scale 1,4:1	
	09554666812.741	2								Detail.	29Sep2010				ED
	09554667812.741	3													
	09554663811.741	1	M3	Black Insulator	Reel Packaging (140 connectors) see page 2/2								TB 09 55 466 x81x	Blatt/ Page 1/2	
	09554666811.741	2													
	09554667811.741	3							36152	29Sep2010	ED				
	Part number	PL	Thread	Index designation		Mod.	Dot.	Name	HARTING EURL F-95972 Paris			Sub.			



See TB 09 55 466 x81x folio 1/2 for connector dimensions and PCB layout

Packaging in accordance with EIA 481-2-A

D	09554663812.741	1	4-40 UNC	Black Insulator	Reel Packaging (140 connectors)				Dot.	Name	 All Dim. in mm Orig. Size DIN A 4	D-SUB Standard 37p Male Right angled SMT with die casted grounds and nuts	Maßstab/ Scale
	09554666812.741	2						Detail.	29Sep2010	ED			
	09554567812.741	3						Insp.					
	09554663811.741	1				M3		Stand.					
	09554666811.741	2											
	09554667811.741	3											
Part number	PL	Thread	Index designation	Mod.	Dot.	Name	HARTING EURL F-95972 Paris				TB 09 55 466 x81x Sub.	Blatt/ Page 2 / 2	