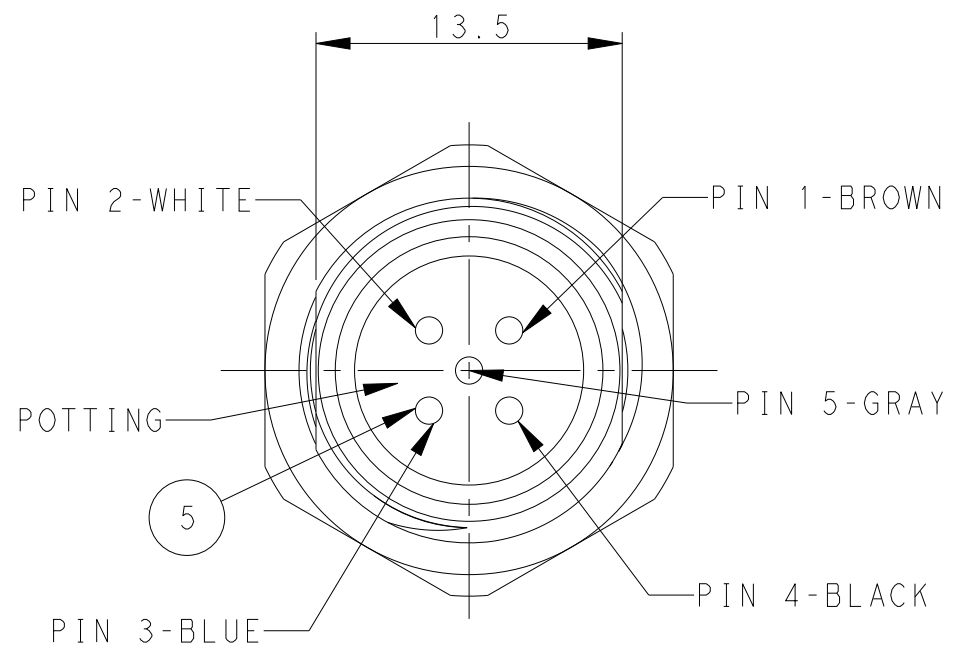
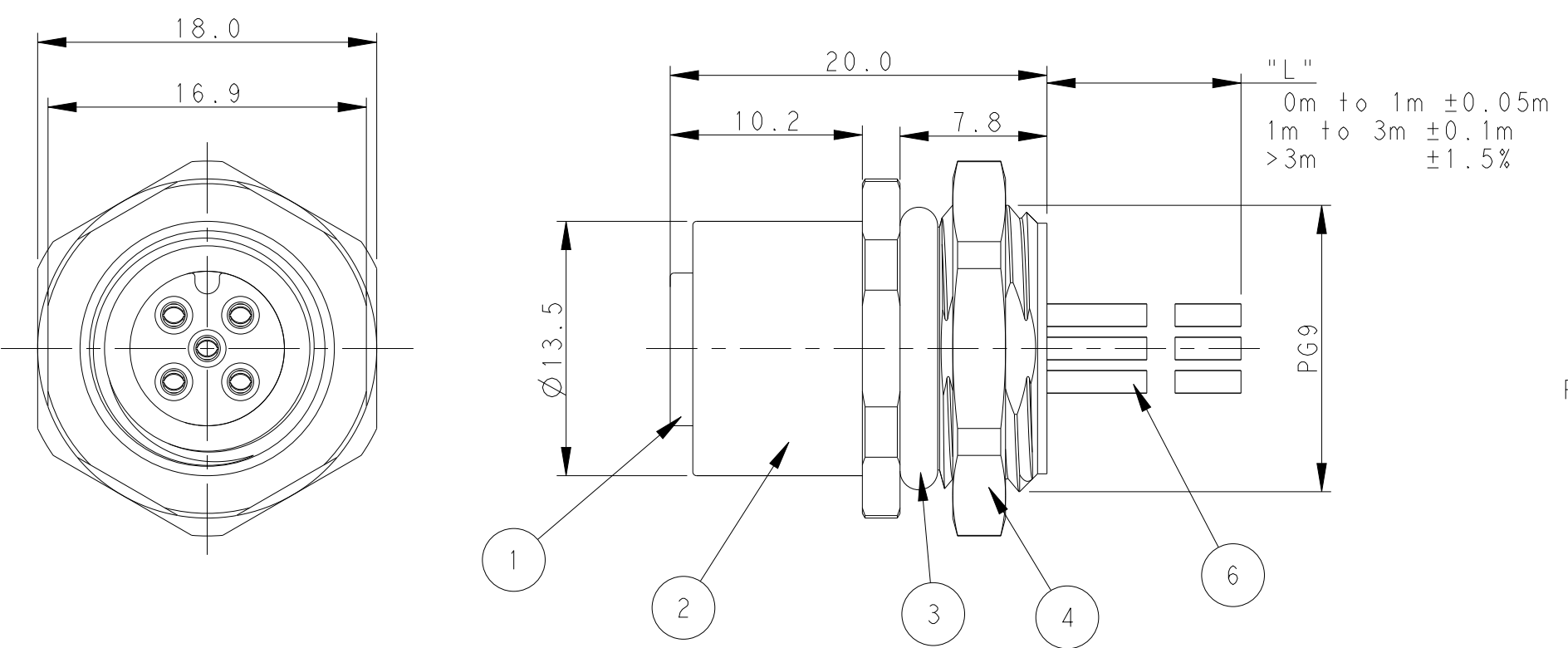


THIS DRAWING IS UNPUBLISHED. RELEASED FOR PUBLICATION 20
 © COPYRIGHT 20 BY - ALL RIGHTS RESERVED.

REVISIONS					
P	LTR	DESCRIPTION	DATE	DWN	APVD
A2		ECR-16-010931	02AUG2016	L.Z	X.X
B		ECR-19-009136	01AUG2019	C.D	C.W
B1		ECR-19-019842	23DEC2019	G.W	C.W
B2		ECR-21-121934	24NOV2021	G.W	C.W



NOTE:
 1. TECHNICAL DATA: SEE TABLE 1
 2. RECOMMENDED MOUNT PANEL SEE DETAIL
 3. PACKAGING: 1PCS/BAG
 4. ALL DIMENSIONS ARE FOR NOMINAL REFERENCE ONLY UNLESS OTHERWISE STATED
 5. SEE TABLE 2, TYPE CODING:
 -X.X: CALBE LEGTH: -0.2:0.2M; -0.5:0.5M; -1.0:1.0M
 6. SEE TABLE 2, PN CODING:
 -00L: CALBE LEGTH: -001:0.2M; -002:0.5M; -003:1.0M

注释:
 1. 技术参数, 见表1
 2. 推荐开孔尺寸详见如图所示
 3. 包装: 1PCS/袋
 4. 所有尺寸仅供参考, 除非另有说明
 5. 参照表2, 型号编码:
 -X.X: 线缆长度: -0.2:0.2M; -0.5:0.5M; -1.0:1.0M
 6. 参照表2, 料号编码:
 -00L: 线缆长度: -001:0.2M; -002:0.5M; -003:1.0M

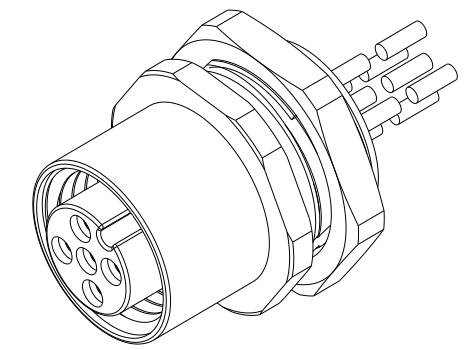


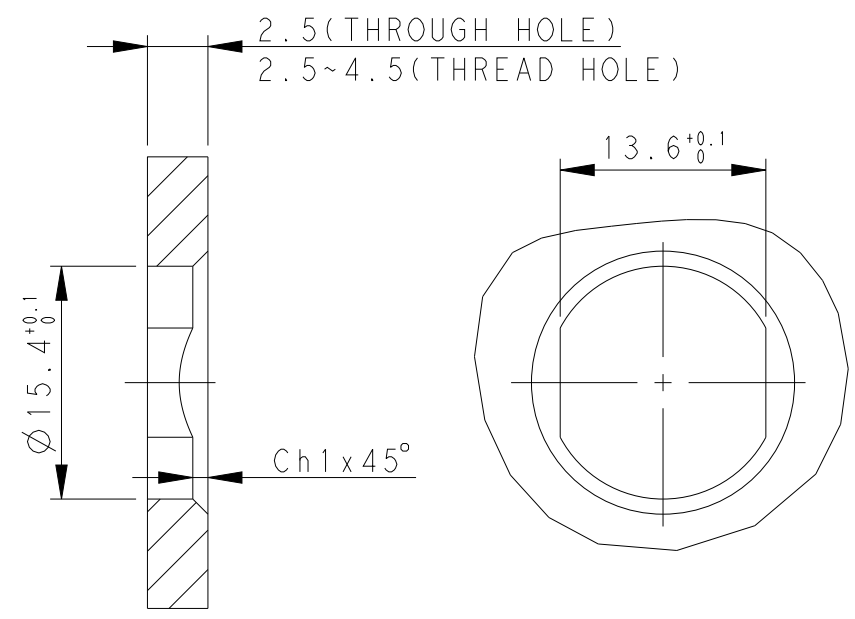
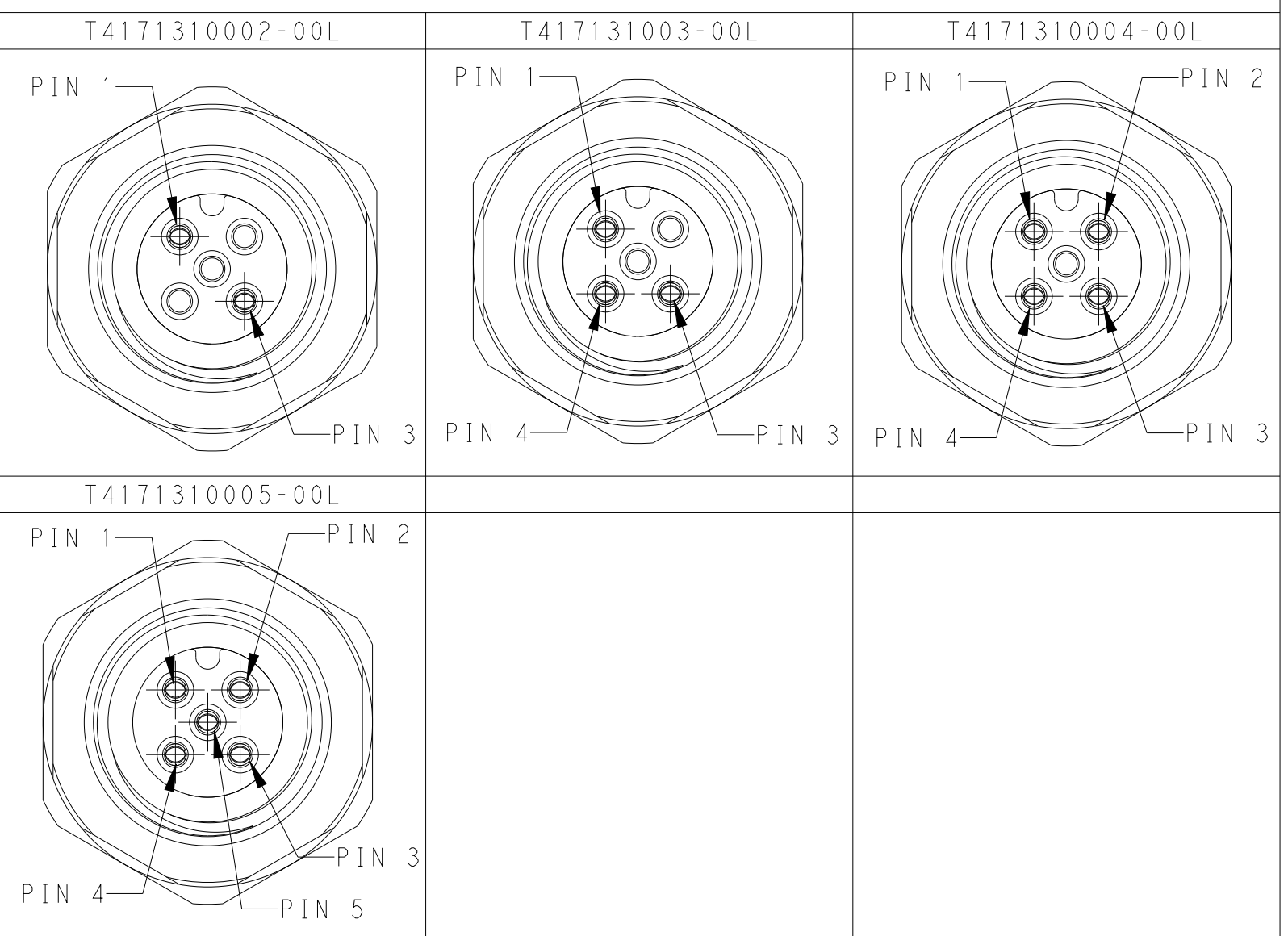
TABLE 1

TECHNICAL DATA	T4171310002-00L	T4171310003-00L	T4171310004-00L	T4171310005-00L
RATED VOLTAGE	250V	250V	250V	60V
RATED CURRENT	4A	4A	4A	4A
POLLUTION DEGREE	3	3	3	3
OVERVOLTAGE CATEGORY	II	II	II	II
MATERIAL GROUP	II	II	II	II
CONTACT RESISTANCE	<=10mΩ	<=10mΩ	<=10mΩ	<=10mΩ
INSULATION RESISTANCE	>100MΩ	>100MΩ	>100MΩ	>100MΩ
DEGREE OF PROTECTION	IP67	IP67	IP67	IP67
OPERATION TEMPERATURE	-40~85°C	-40~85°C	-40~85°C	-40~85°C

TABLE 2

CABLE CHARACTERISTIC	CABLE LENGTH "L"	DESCRIPTION	POS	TABLE 2 PN
WIRES: 0.34MM^2(22AWG) WIRE PN AND COLOR: 1(BR)/2(WH)/3(BL)/4(BK)/5(GR) CUSTOMIZATION: -0XX:X.XM(<10M)	-001:0.2M	RPC-M12-FB-5CON-PG9-X.XLAU 5	5	T4171310005-00L 6
	-002:0.5M	RPC-M12-FB-4CON-PG9-X.XLAU 5	4	T4171310004-00L 6
	-003:1.0M	RPC-M12-FB-3CON-PG9-X.XLAU 5	3	T4171310003-00L 6
	-00L:0.2M	RPC-M12-FB-2CON-PG9-X.XLAU 5	2	T4171310002-00L 6

PIN ARRANGEMENT A-CODE



RECOMMENDED PANEL CUTOUT

COMMENT	MATERIAL	DESCRIPTION	ITEM
-	-	CABLE	6 2 3 4 5
FLASH GOLD	BRONZE	CONTACT	5 2 3 4 5
NICKEL PLATED	BRASS	METAL NUT	4 1 1 1 1
BLACK	RUBBER	O-RING	3 1 1 1 1
NICKEL PLATED	BRASS	M12, MALE, METAL BODY	2 1 1 1 1
BLACK	PA	M12, MALE HSG, A CODE	1 1 1 1 1

THIS DRAWING IS A CONTROLLED DOCUMENT. DWN BO GAO 11APR2016
 CHK KOBBY ZHAO 11APR2016
 APVD XIANG XU 11APR2016

STE TE Connectivity

NAME: M12 PANEL MOUNT CONNECTOR A CODE, FEMALE, FRONT MOUNTING

PRODUCT SPEC: 108-106140
 APPLICATION SPEC: 114-137144

SIZE: A2 CAGE CODE: - DRAWING NO: C-T417131000X00L RESTRICTED TO: -
 WEIGHT: - SCALE: 3:1 SHEET 1 OF 1 REV: B2