

THIS DRAWING IS UNPUBLISHED.

RELEASED FOR PUBLICATION

20

© COPYRIGHT 20 BY -

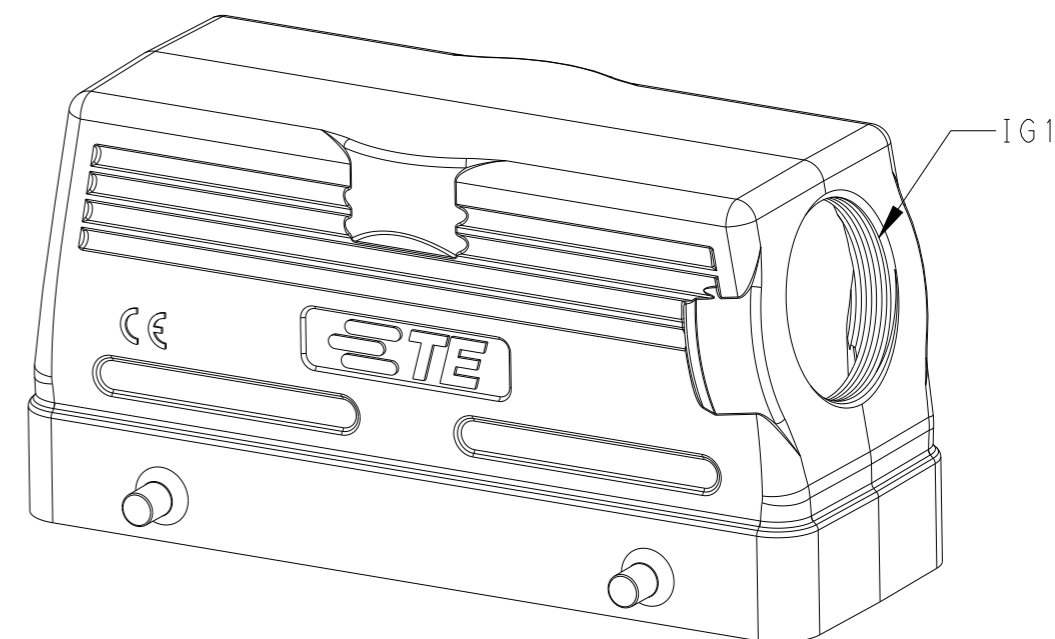
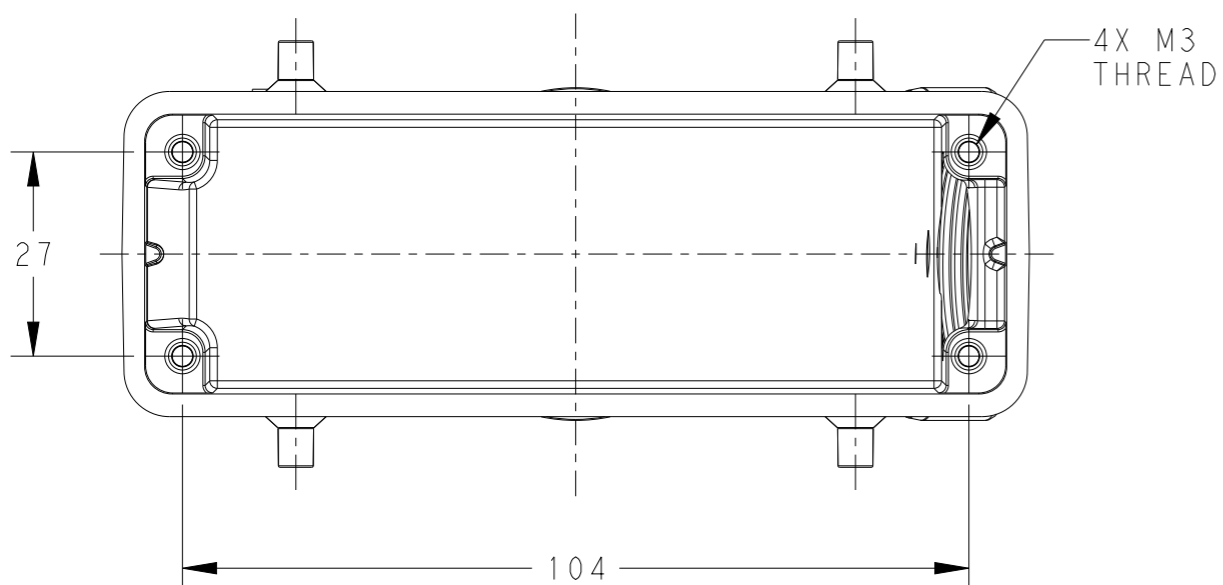
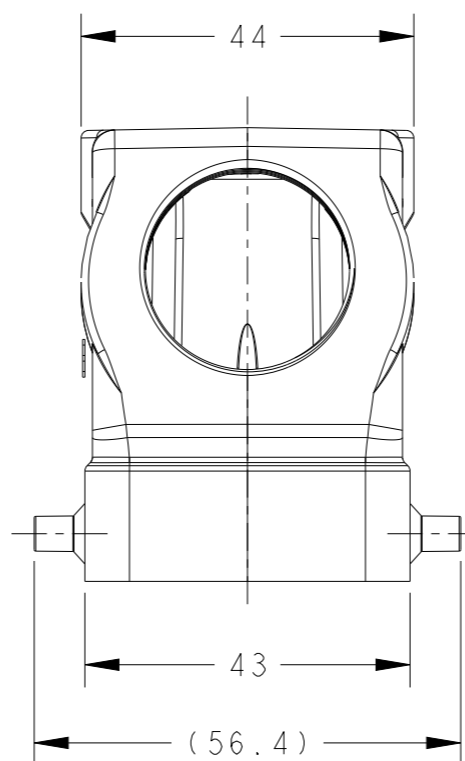
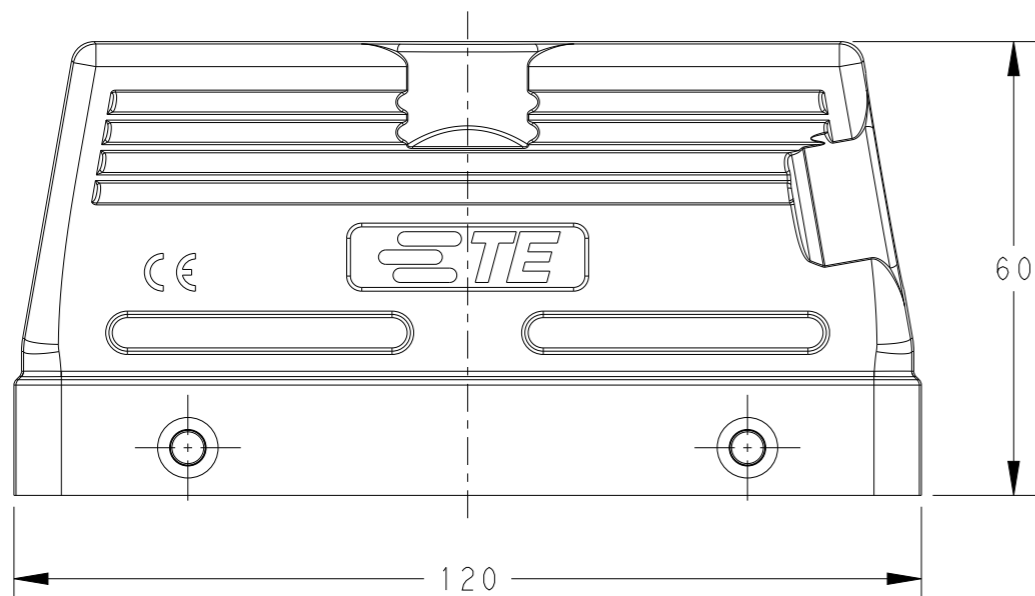
ALL RIGHTS RESERVED.

REVISIONS


P	LTR	DESCRIPTION	DATE	DWN	APVD
	A	INITIAL	03JUN2015	DW	CW
	B	ECR-20-014876	23OCT2020	WQR	CW

NOTES:
 1. TECHNICAL CHARACTERISTICS:
 HOOD MATERIAL: DIE CAST ALUMINIUM ALLOY
 SURFACE: POWDER COATED, SILVER WHITE
 DEGREE OF PROTECTION: IP65 (MATED)

注释:
 1. 技术参数:
 上壳材料: 铝合金
 表面处理: 粉末涂层, 银白色
 防护等级: IP65(配合)



T1210241121-000	H24B-TS-PG21 SILVER WHITE	PG21
PART NUMBER	DESCRIPTION	IG1

THIS DRAWING IS A CONTROLLED DOCUMENT.		DWN 03JUN2015 David Wang	 TE Connectivity													
DIMENSIONS: mm		CHK 03JUN2015 Chris Wang														
TOLERANCES UNLESS OTHERWISE SPECIFIED:		APVD 03JUN2015 Xiang Xu														
<table border="1"> <tr> <td>0 PLC</td> <td>±-</td> </tr> <tr> <td>1 PLC</td> <td>±-</td> </tr> <tr> <td>2 PLC</td> <td>±-</td> </tr> <tr> <td>3 PLC</td> <td>±-</td> </tr> <tr> <td>4 PLC</td> <td>±-</td> </tr> <tr> <td>ANGLES</td> <td>±-</td> </tr> <tr> <td>FINISH</td> <td>-</td> </tr> </table>		0 PLC			±-	1 PLC	±-	2 PLC	±-	3 PLC	±-	4 PLC	±-	ANGLES	±-	FINISH
0 PLC	±-															
1 PLC	±-															
2 PLC	±-															
3 PLC	±-															
4 PLC	±-															
ANGLES	±-															
FINISH	-															
MATERIAL	-	PRODUCT SPEC 108-137013	SIZE A3	CAGE CODE 00779	DRAWING NO T1210241121000	RESTRICTED TO -										
Customer Drawing		WEIGHT -	SCALE 1:1	SHEET 1 OF 1	REV B											