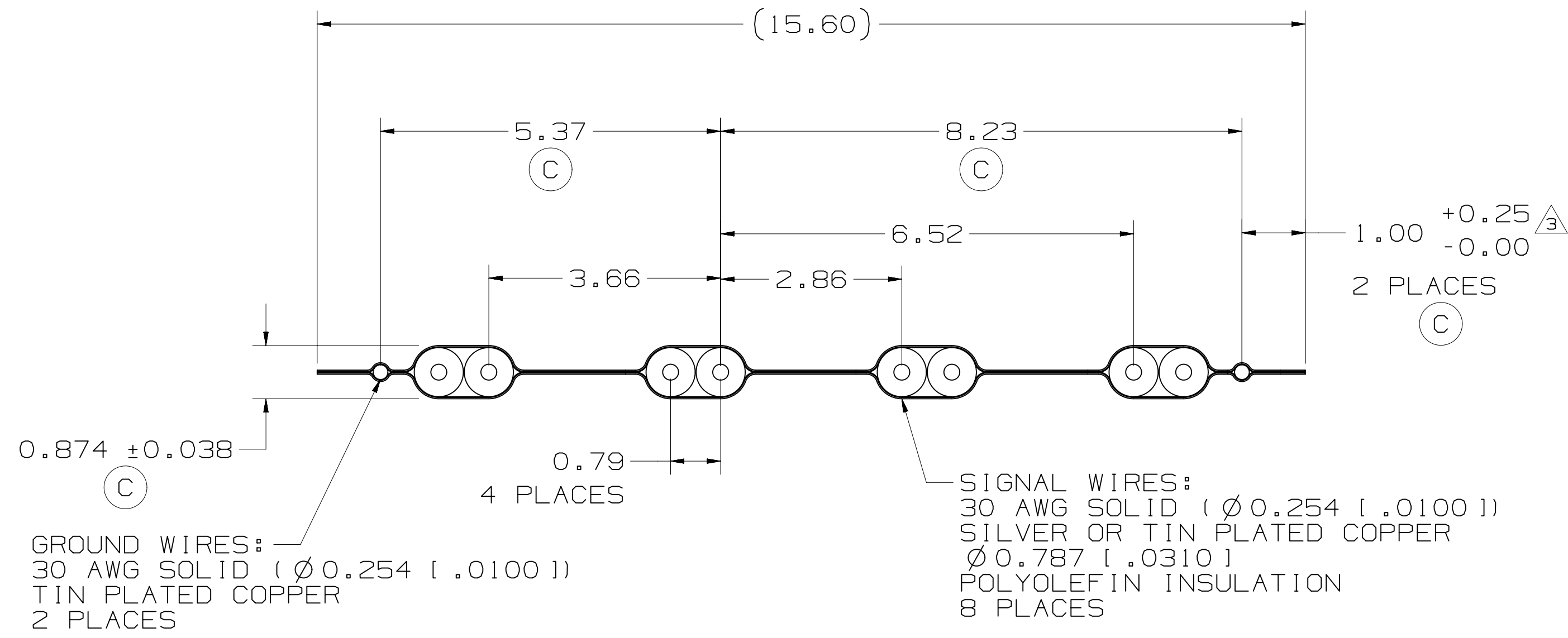


3M™ TWIN AXIAL CABLE, SL8800 SERIES



SIGNAL WIRE PLATING OPTION	3M PART NUMBER
SILVER	SL8802/08-20DN5-00
TIN	SL8802/08-21DN5-00

NOTES

- DIMENSIONS ARE IN MILLIMETERS.
- PHYSICAL:  
 COLOR: SILVER  
 MARKING:  
 3M (part number) 30 AWG (signal plating) (lot code)  
 EXAMPLE:  
 3M SL8802/08-20DN5-00 30 AWG SILVER TW602-1
- ELECTRICAL:  
 IMPEDANCE: 100 ± 5 OHMS
- PRODUCT SPECIFICATION NUMBER:  
 PS-0105
- REGULATORY INFORMATION:  
 ROHS COMPLIANT. SEE THE REGULATORY INFORMATION APPENDIX (RIA) IN THE "ROHS COMPLIANCE" SECTION OF WWW.3MCONNECTORS.COM FOR COMPLIANCE INFORMATION (RIA E1 & C1 APPLY)  
 UL FILE NUMBER: E42769
- THE OUTER SURFACE OF THE RIBBON CABLE HAS A METALLIC APPEARANCE, BUT IS NOT CONDUCTIVE. THERE IS A TRANSLUCENT POLYESTER OUTER LAYER OVER AN ALUMINUM SHIELDING LAYER, WHICH GIVES THIS APPEARANCE.  
 THIS CABLE CONSTRUCTION HAS A THIN ALUMINUM LAYER AT EACH EDGE. USER SHOULD EVALUATE ITS USE IN THEIR APPLICATION AND, IF NECESSARY, INSULATING TAPE MAY BE APPLIED TO COVER THE ALUMINUM LAYER, AS USER DEEMS APPROPRIATE.
- FOIL AND INSULATOR STRIPPING BLADE DESIGN DRAWINGS ARE AVAILABLE UPON REQUEST.  
 TOOLING REFERENCE NUMBER:  
 NU7E
- (C) DENOTES CRITICAL DIMENSION.

Visit <http://www.3mconnectors.com>

DESIGN REFERENCE	NEXT ASSEMBLY	REV	ECO	ISSUE DATE AND DESCRIPTION	DRFT	CHKD
ACCESS CODES		DRFT	MWL	DATE	APR 11, 2011	MFG
		CHKD		DATE		APPVL
DIVISION	DIVISION CODE	© 3M COPYRIGHT 2018 This document and the information it contains are 3M property and may not be reproduced or further distributed without 3M permission, or used or disclosed other than for 3M authorized purposes. All rights reserved.				
DO NOT SCALE DRAWING	SCALE 15/1	TOLERANCES EXCEPT AS NOTED INCHES .0 ± .00 ± .000 ± .0000 ± MILLIMETERS 0 ± .0 ± .00 ± .10 .000 ± ANGLES ± 1°				
THIRD ANGLE PROJECTION	INTERPRET PER ASME Y14.5 - 2009	TITLE SL8802/08-2XDN5-00, 100 OHM, 30 AWG, 4PR				
MAX SURFACE ROUGHNESS 125	<input type="checkbox"/> ALL SURFACES <input checked="" type="checkbox"/> MARKED ONLY	CAGE NUMBER	SIZE	DRAWING NO.	REV.	
		C		78-5100-2413-2	D	
		MODEL	DET.	LISTS	YES	NO
					SHT 1 OF 2	

78-5100-2413-2 DRAWING NUMBER  
 D REVISION  
 Imaged: Central Standard Time 8/7/2018 -- UTC Offset (hrs) 6

Regulatory: For regulatory information about this product, visit 3M.com/regs or contact your 3M representative.



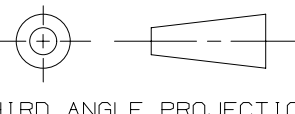
Technical Information: The technical information, recommendations and other statements contained in this document are based upon tests or experience that 3M believes are reliable, but the accuracy or completeness of such information is not guaranteed.

Product Use: Many factors beyond 3M's control and uniquely within user's control can affect the use and performance of a 3M product in a particular application. Given the variety of factors that can affect the use and performance of a 3M product, user is solely responsible for evaluating the 3M product and determining whether it is fit for a particular purpose and suitable for user's method of application.

Warranty, Limited Remedy, and Disclaimer: Unless an additional warranty is specifically stated on the applicable 3M product packaging or product literature, 3M warrants that each 3M product meets the applicable 3M product specification at the time 3M ships the product. 3M MAKES NO OTHER WARRANTIES OR CONDITIONS, EXPRESS OR IMPLIED, INCLUDING, BUT NOT LIMITED TO, ANY IMPLIED WARRANTY OR CONDITION OF MERCHANTABILITY OR FITNESS FOR A PARTICULAR PURPOSE OR ANY IMPLIED WARRANTY OR CONDITION ARISING OUT OF A COURSE OF DEALING, CUSTOM OR USAGE OR TRADE. If the 3M product does not conform to this warranty, then the sole and exclusive remedy is, at 3M's option, replacement of the 3M product or refund of the purchase price.

Limitation of Liability: Except where prohibited by law, 3M will not be liable for any loss or damage arising from the 3M product, whether direct, indirect, special, incidental or consequential, regardless of the legal theory asserted, including warranty, contract, negligence or strict liability.

3M Electronics Materials Solutions Division  
 6801 River Place Blvd.  
 Austin, TX 78726-9000  
 1-800-225-5373  
 www.3M.com/interconnect

REV	D	79896	AUG 07, 2018	LDS	MML
ECO			ADDED CRITICAL DIM SYMBOLS		
			ADDED NOTE 8		
			 REVISED TOLERANCE		
ISSUE DATE AND DESCRIPTION	DRFT	CHKD	DATE	DATE	DATE
ECO	MWL		APR 11, 2011		
DESIGN REFERENCE	NEXT ASSEMBLY	 3M Center St. Paul, MN 55144 © 3M COPYRIGHT 2018 This document and the information it contains are 3M property and may not be reproduced or further distributed without 3M permission, or used or disclosed other than for 3M authorized purposes. All rights reserved.			
ACCESS CODES		DO NOT SCALE DRAWING	SCALE 1/1	TOLERANCES EXCEPT AS NOTED	TITLE
			THIRD ANGLE PROJECTION	INCHES .0 ± .00 ± .000 ± .0000 ±	SL8802/08-2XDN5-00, 100 OHM, 30 AWG, 4PR
		INTERPRET PER ASME Y14.5 - 2009		MILLIMETERS 0 ± .0 ± .00 ± .10 .000 ±	CAGE NUMBER
		MAX SURFACE ROUGHNESS	125	ALL SURFACES <input type="checkbox"/> ALL SURFACES <input checked="" type="checkbox"/> MARKED ONLY	SIZE
		ANGLES ±1°			DRAWING NO.
					78-5100-2413-2
					REV.
					D
					DET. LISTS
					<input type="checkbox"/> YES <input checked="" type="checkbox"/> NO
					SHT 2 OF 2

78-5100-2413-2 DRAWING NUMBER  
 D REVISION  
 UTC Off-set (hrs) 6  
 Imaged: Central Standard Time 8/7/2018 --