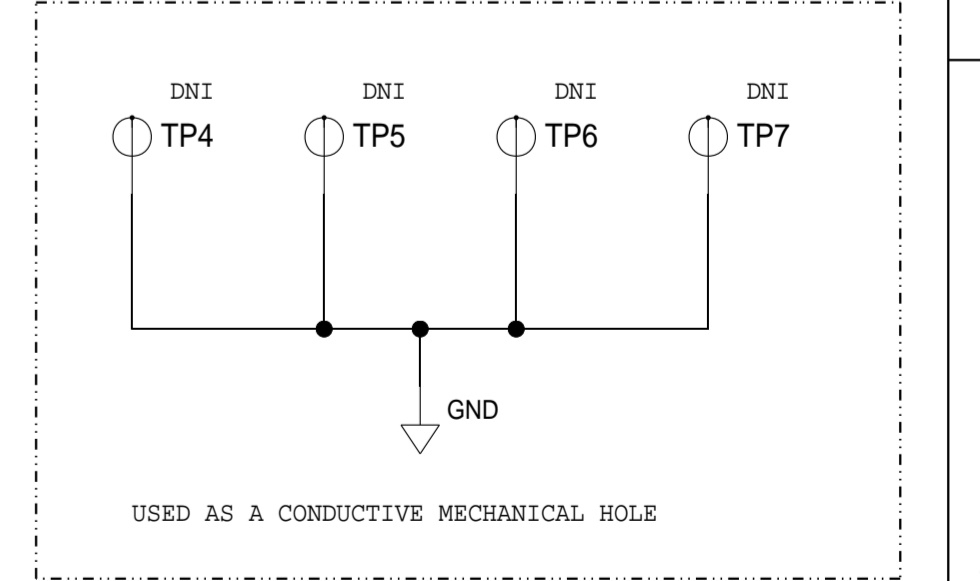
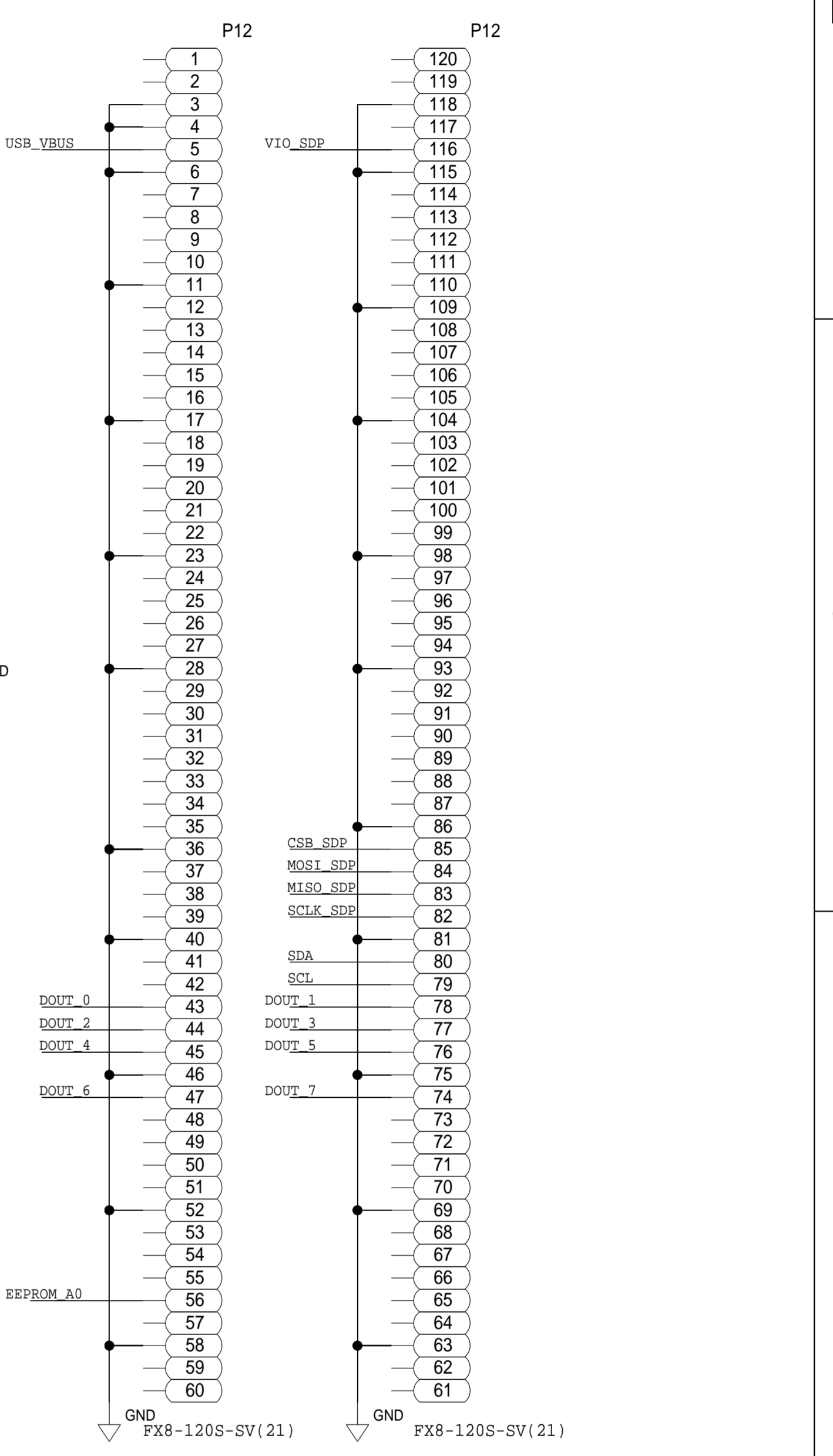
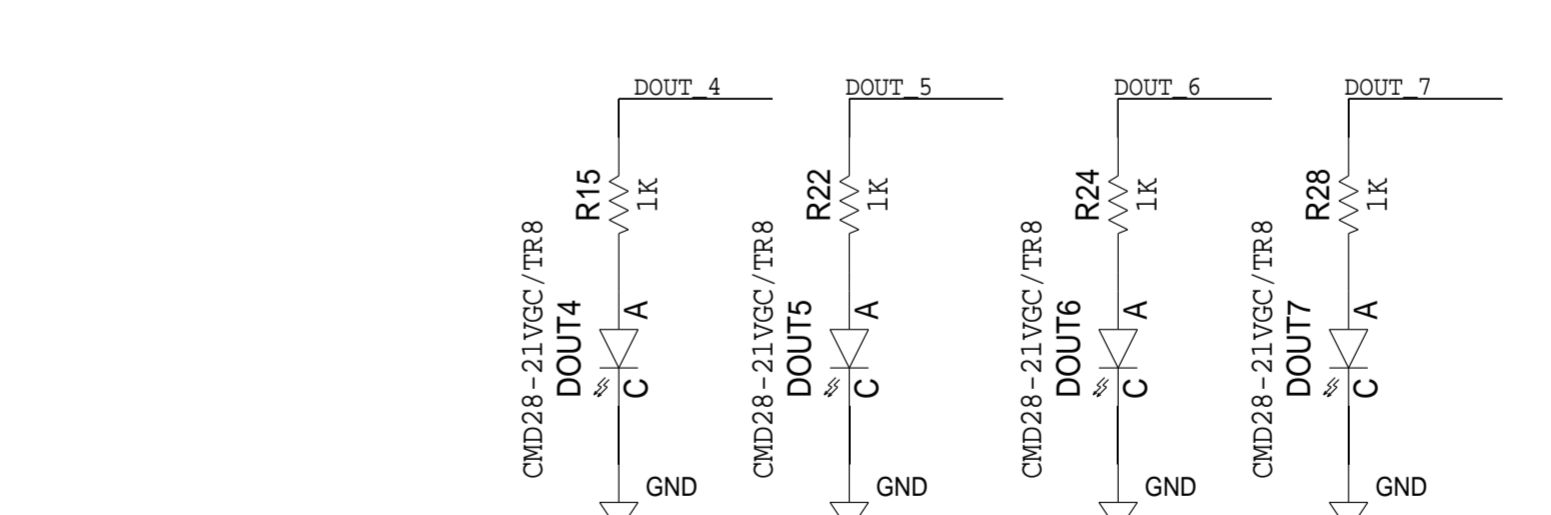
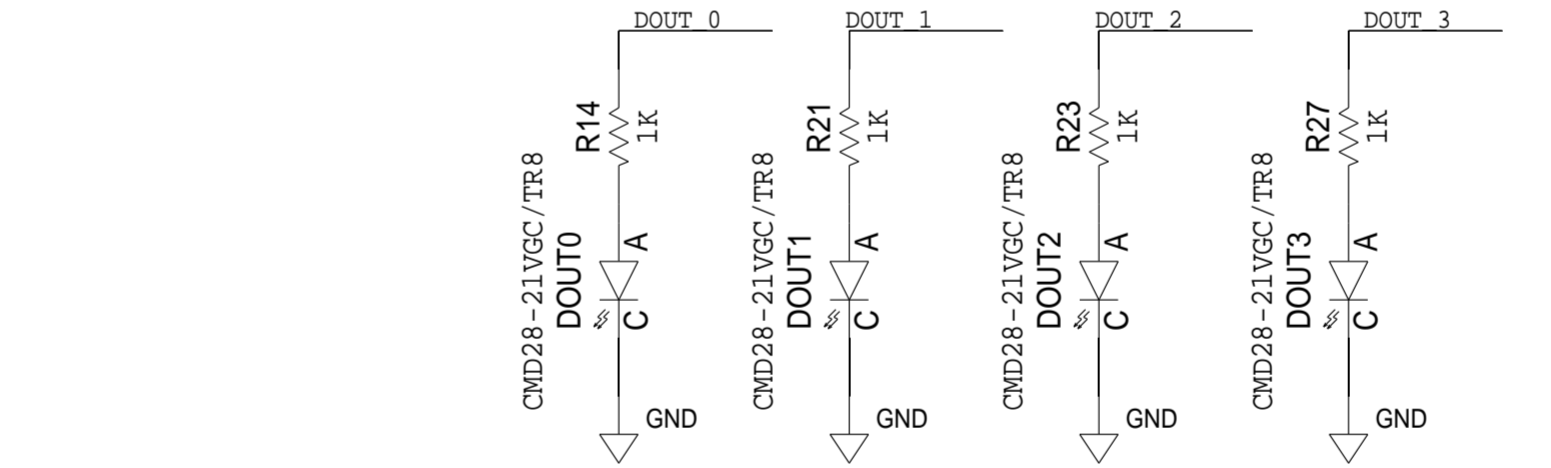
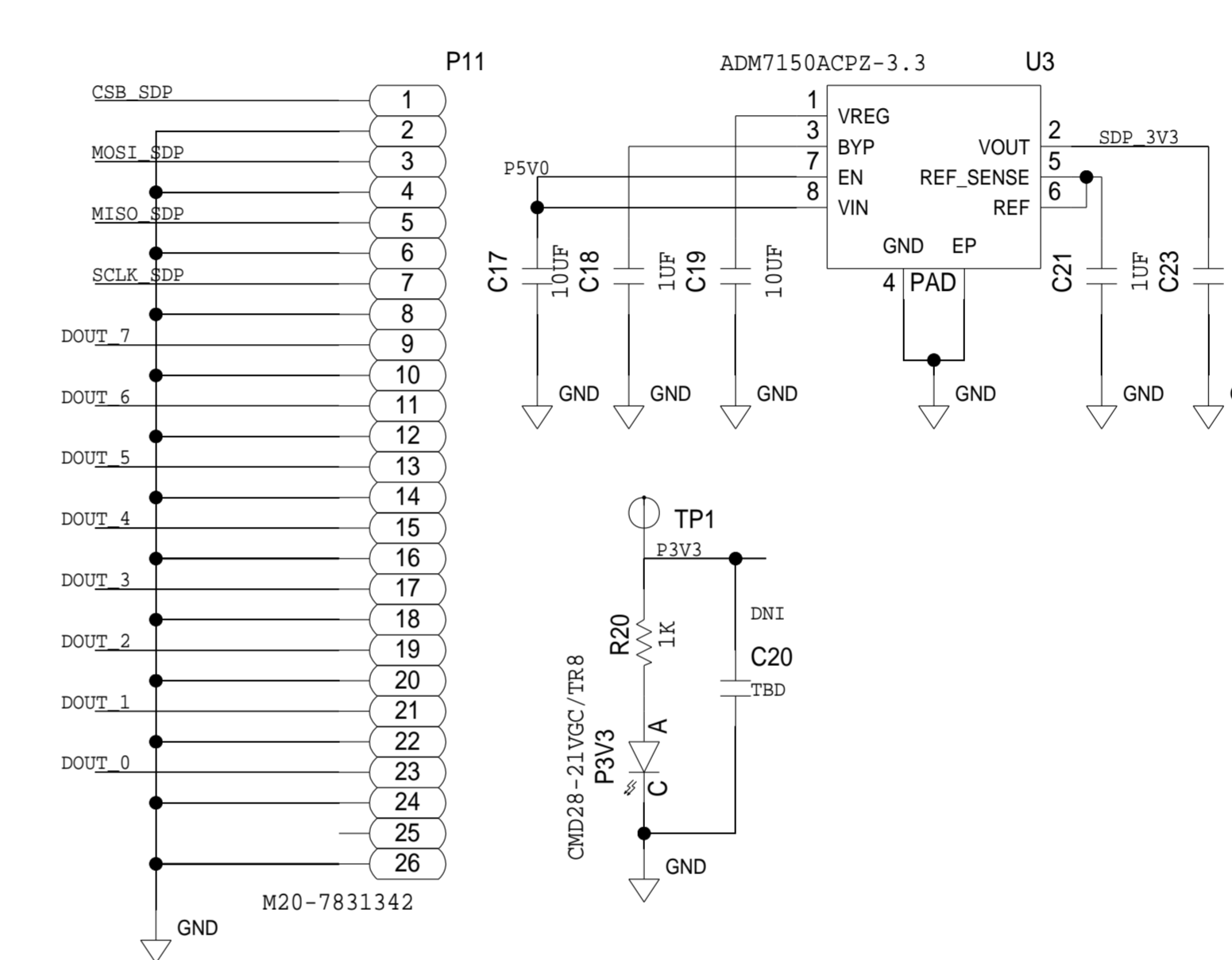
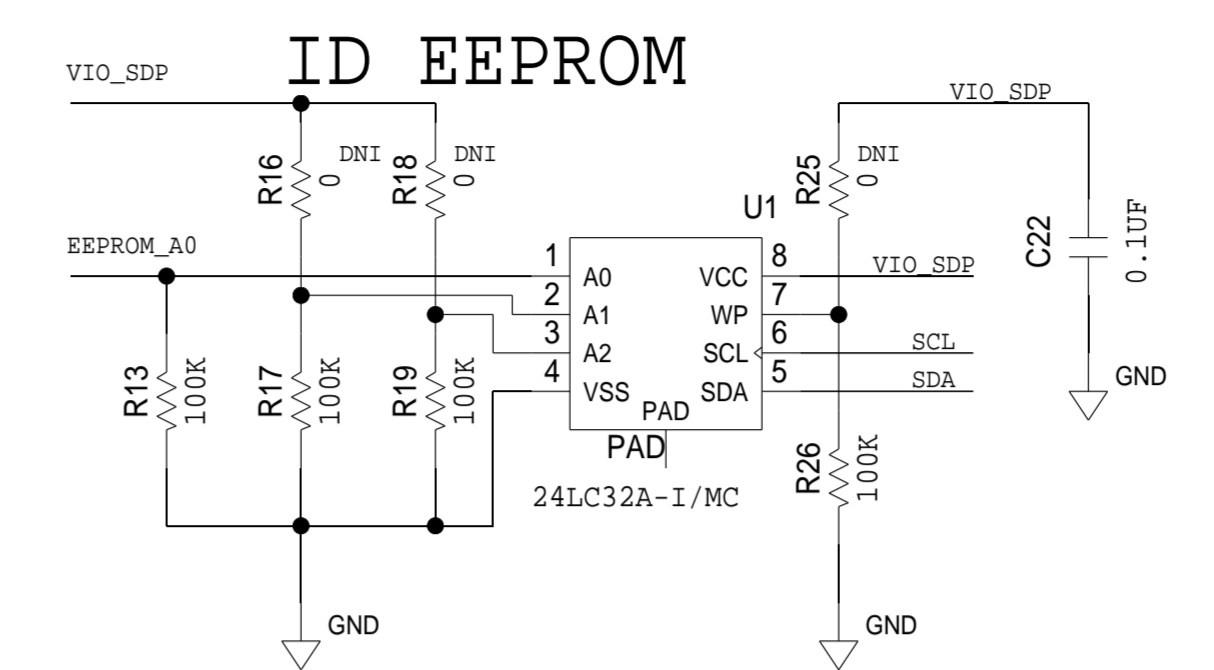
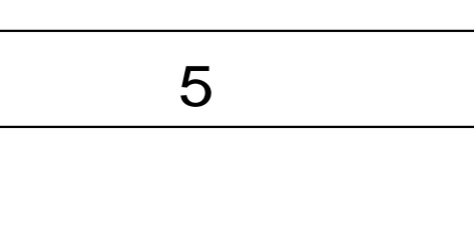
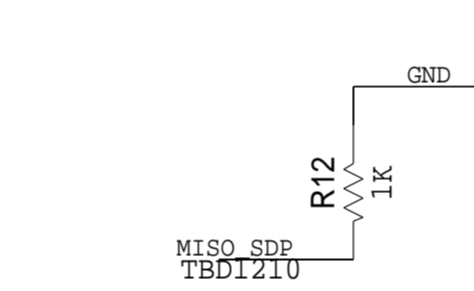
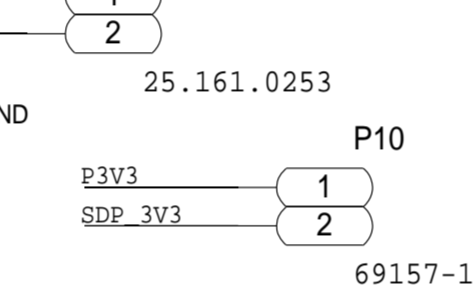
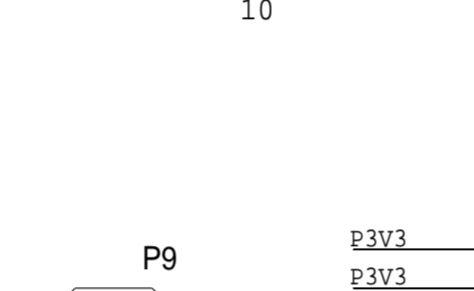
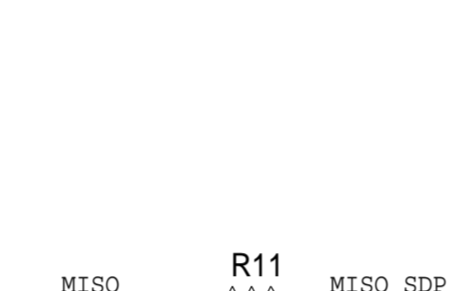
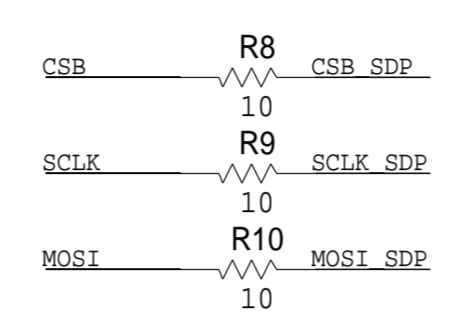
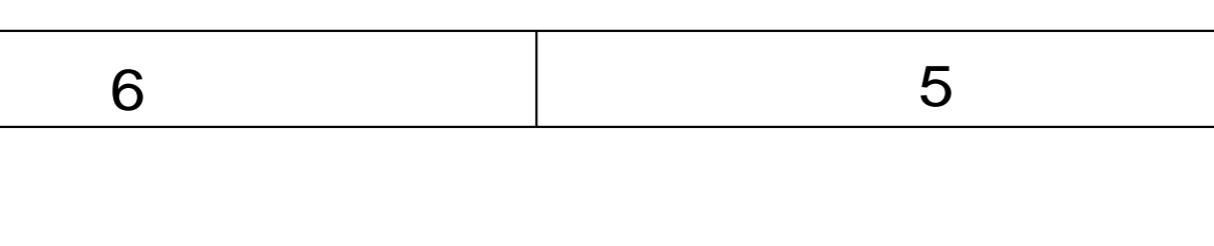
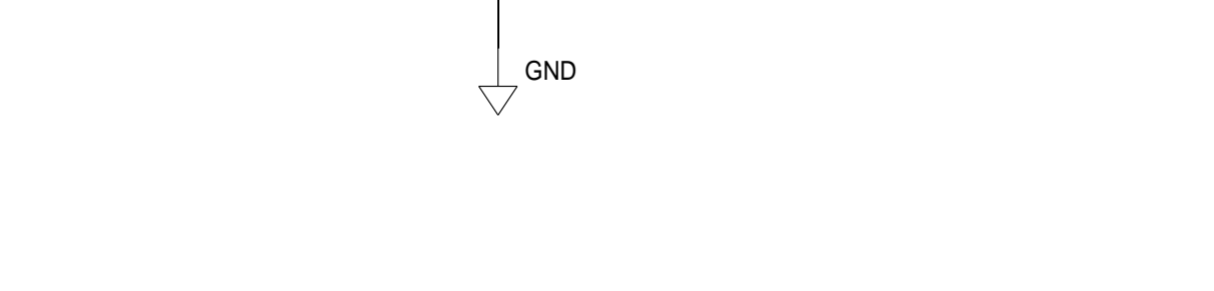
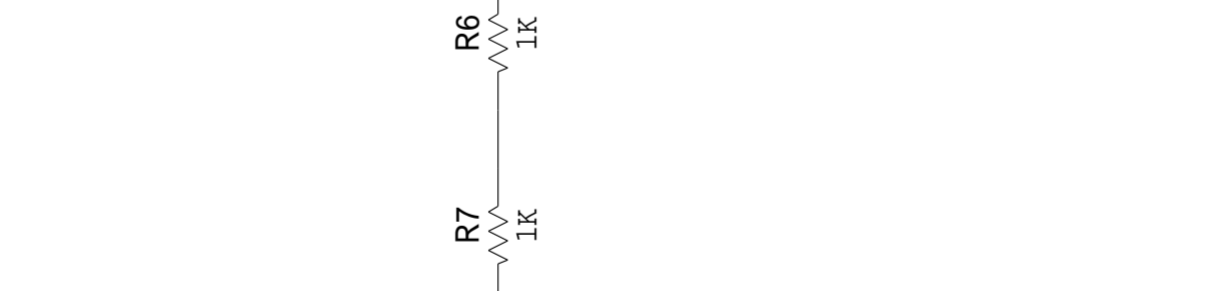
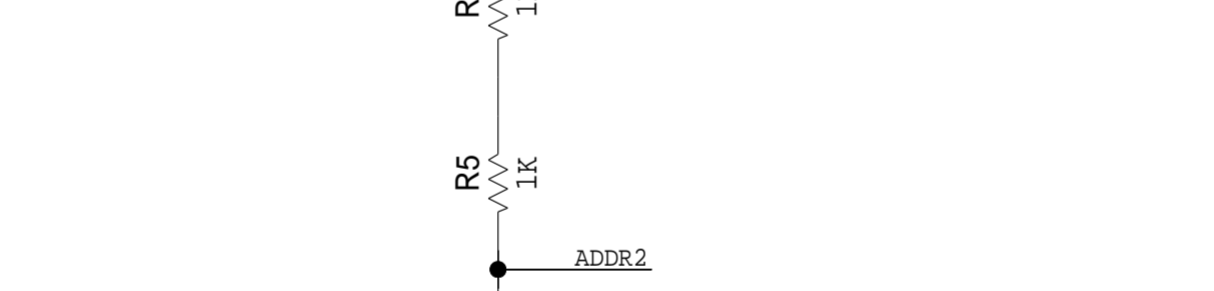
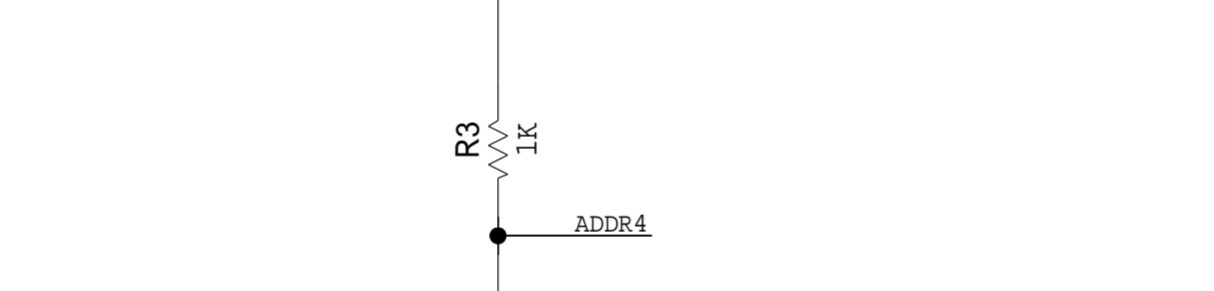
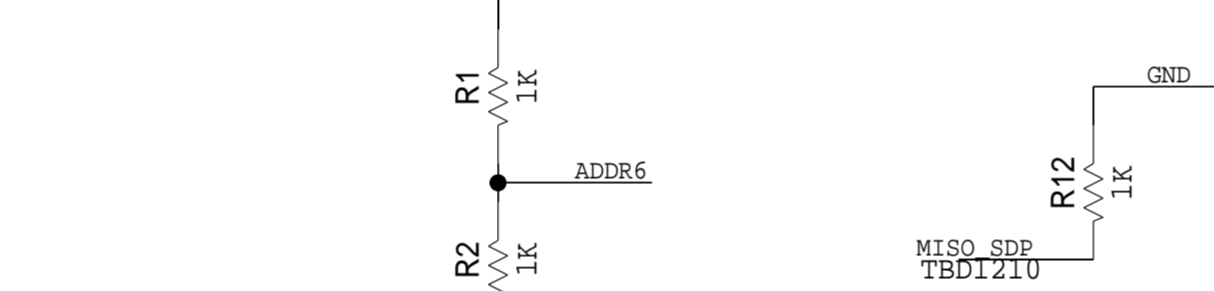
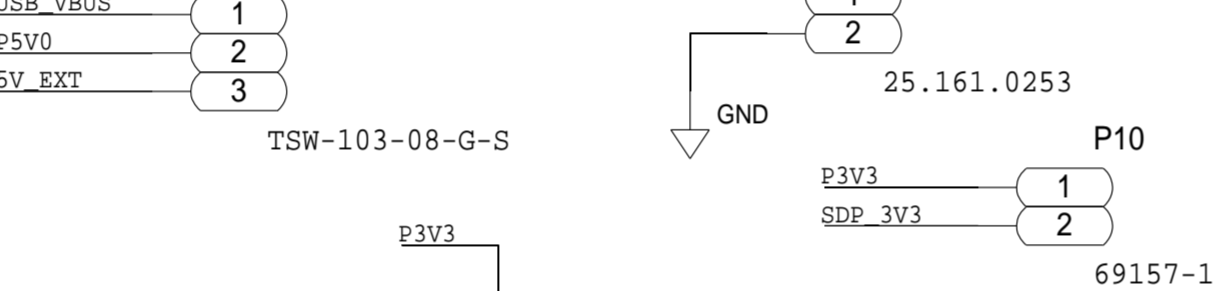
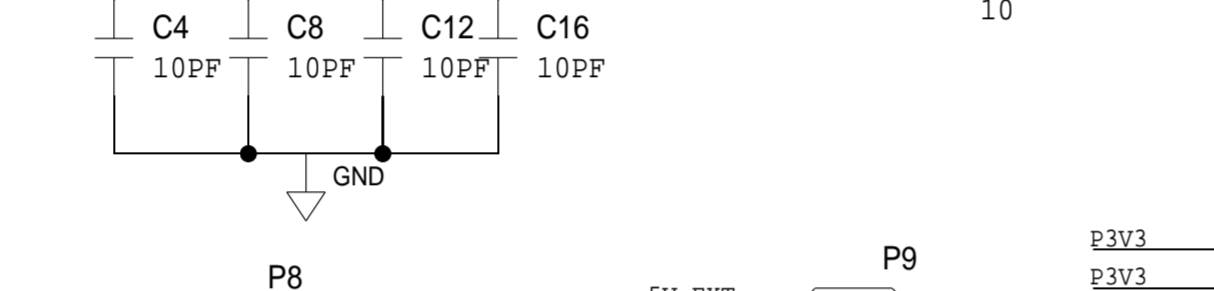
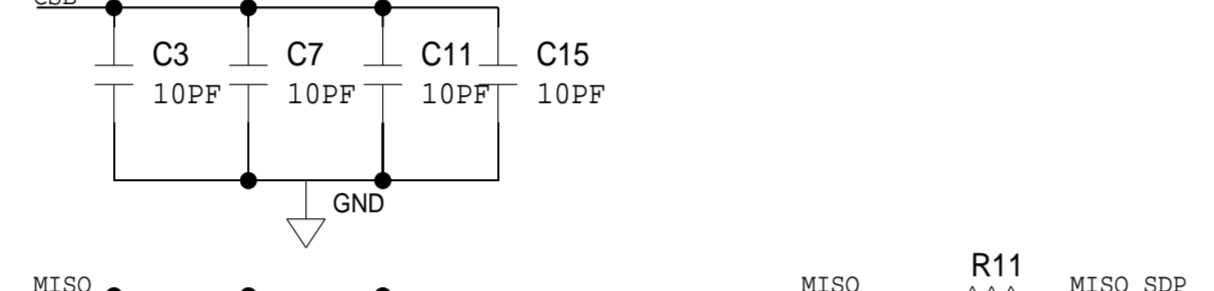
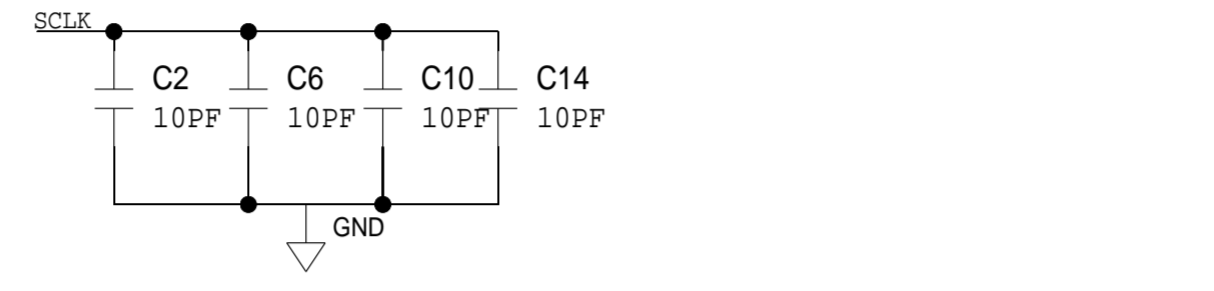
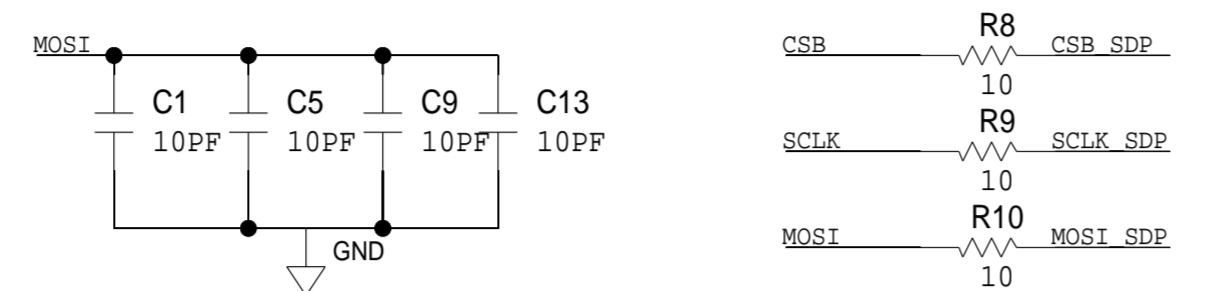
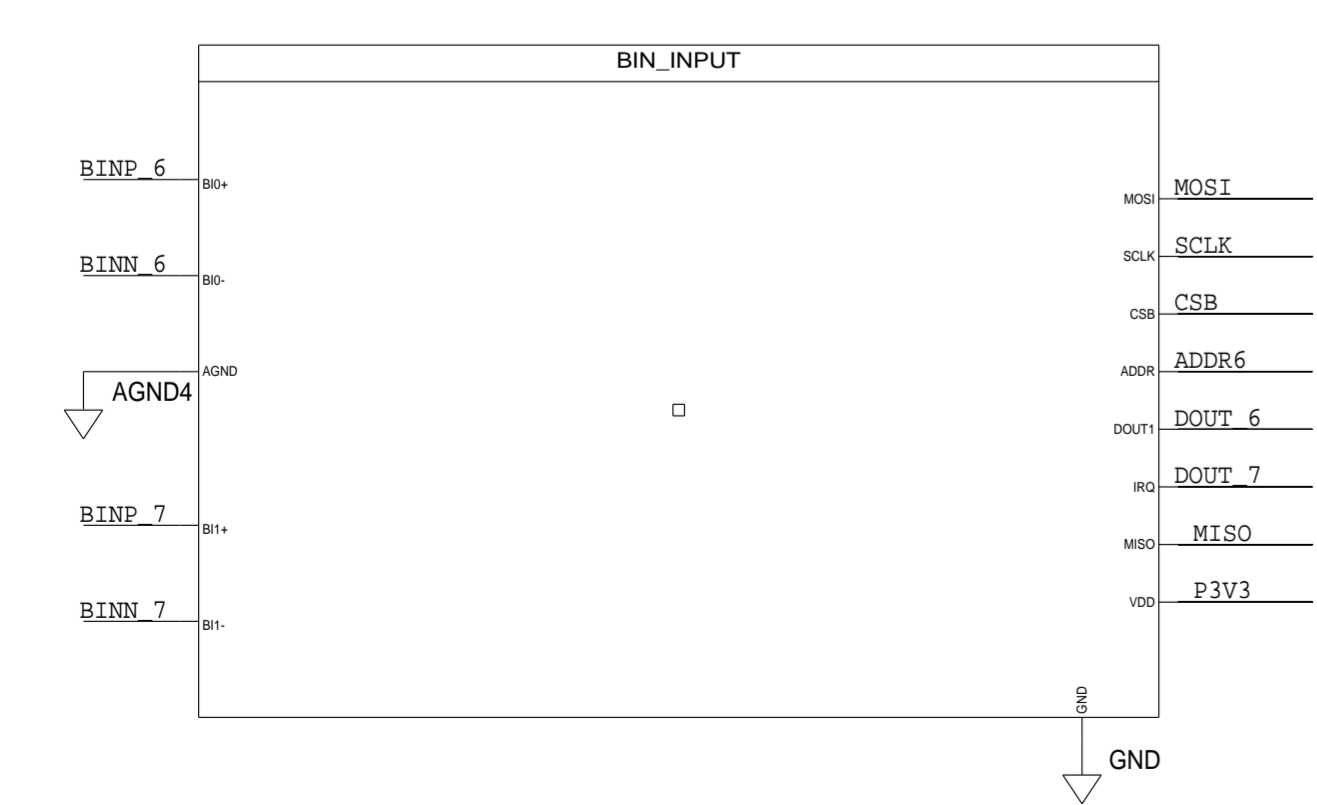
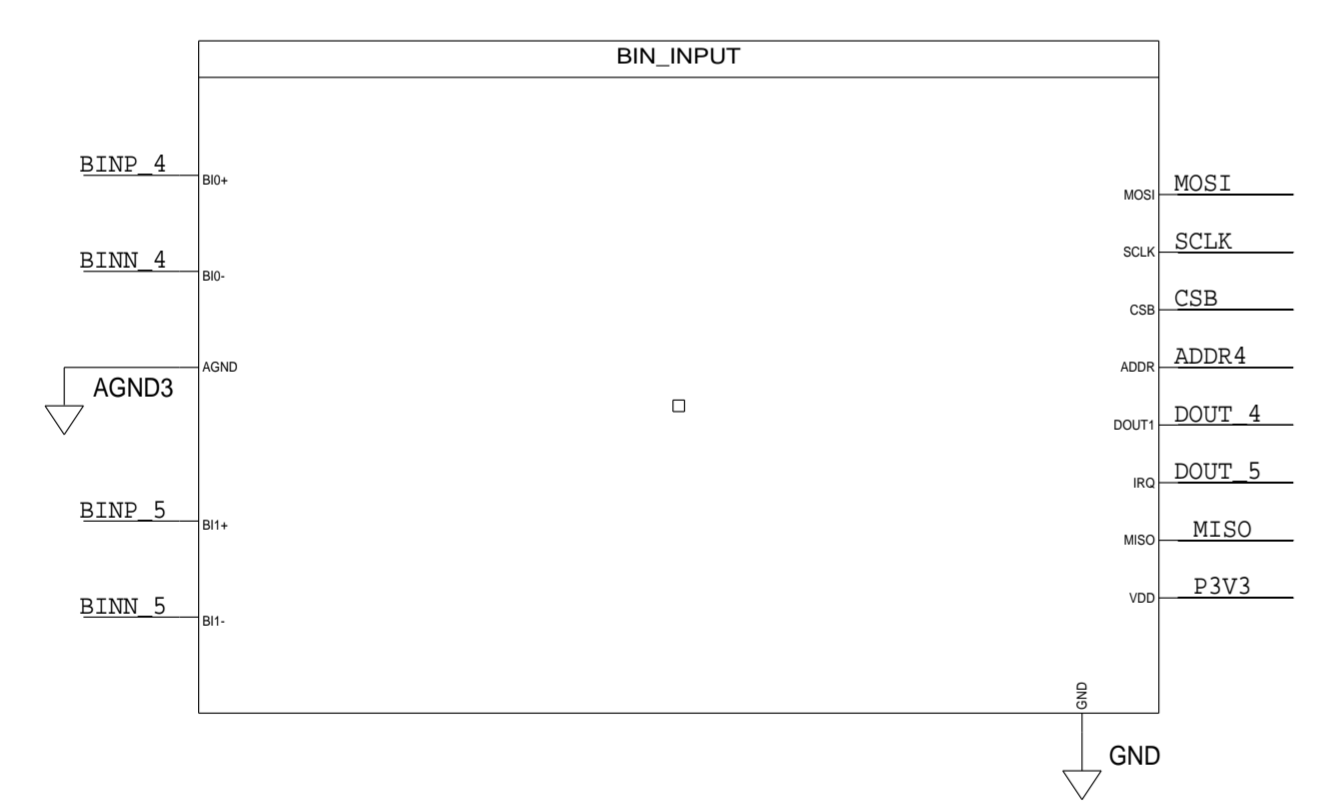
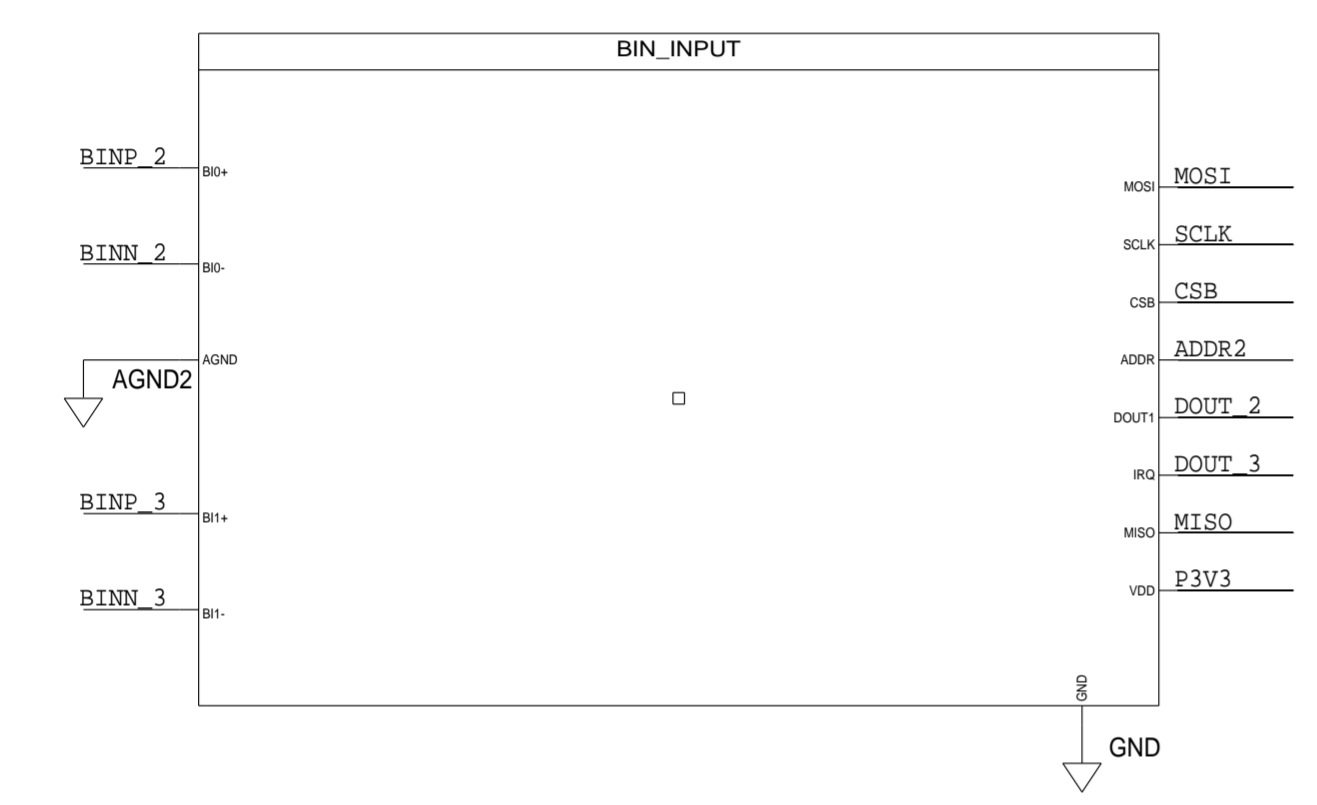
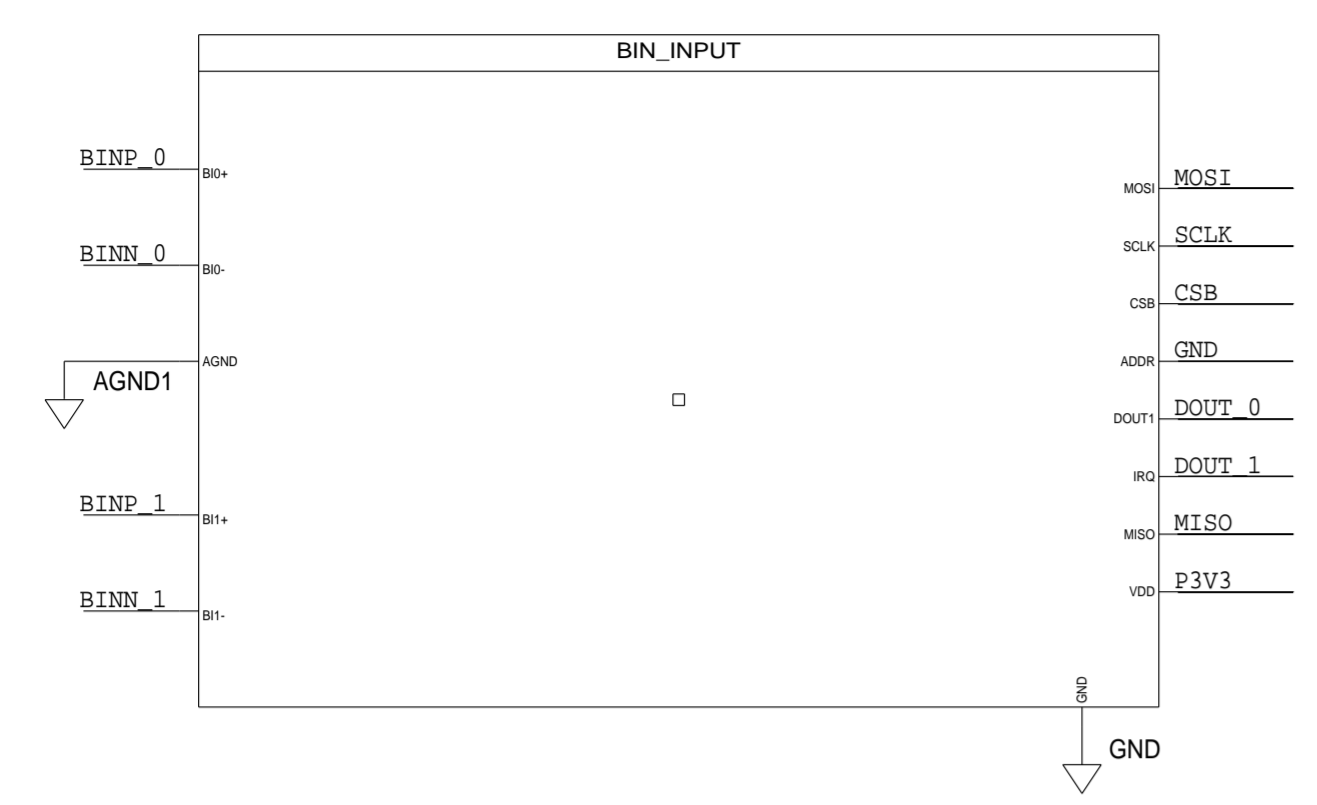


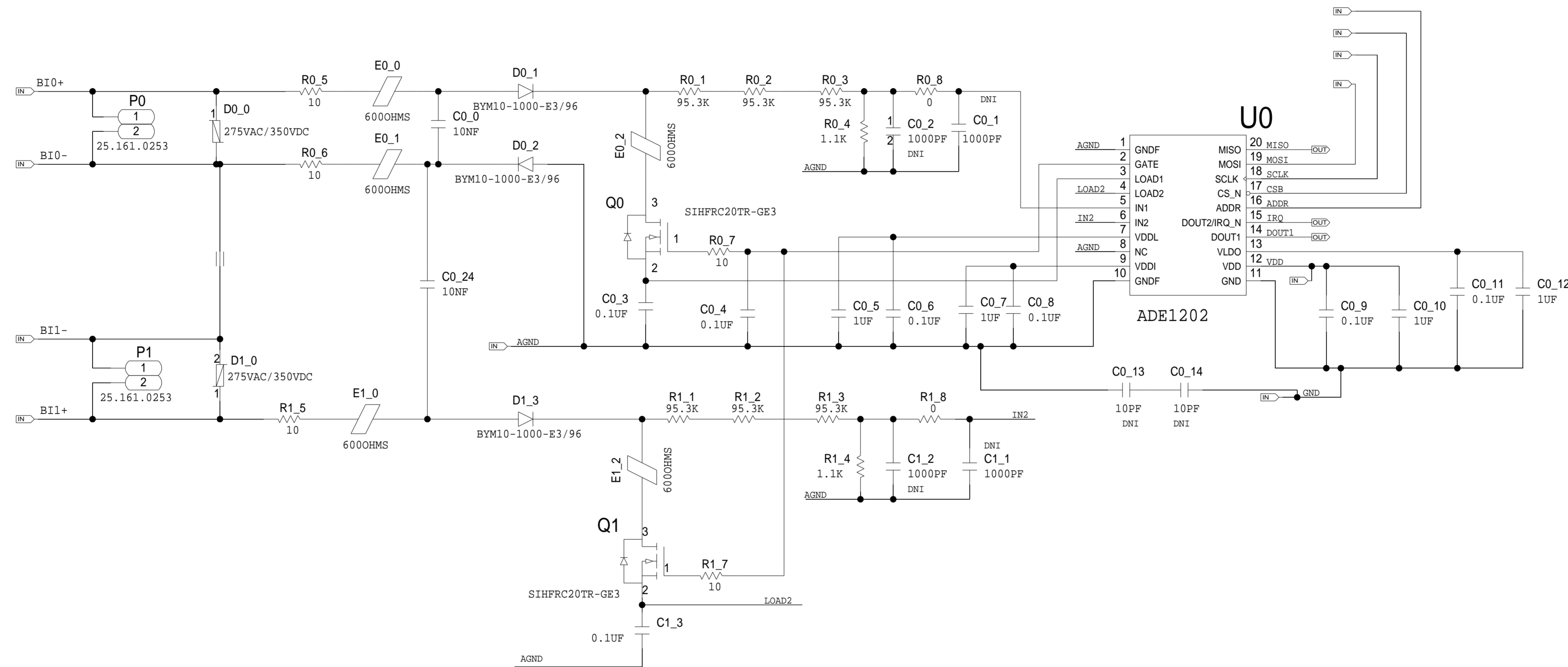
REVISIONS			
REV	DESCRIPTION	DATE	APPROVED



SCHEMATIC			
HW TYPE : Customer Evaluation Z		Product(s) : ADE1202	
DESIGN VIEW : <DESIGN_VIEW>		DRAWING NO. : 02_050322	
PTD ENGINEER : J. HAN		REV : C	
SIZE : D	SCALE : 1:1	SHEET 2 OF 6	

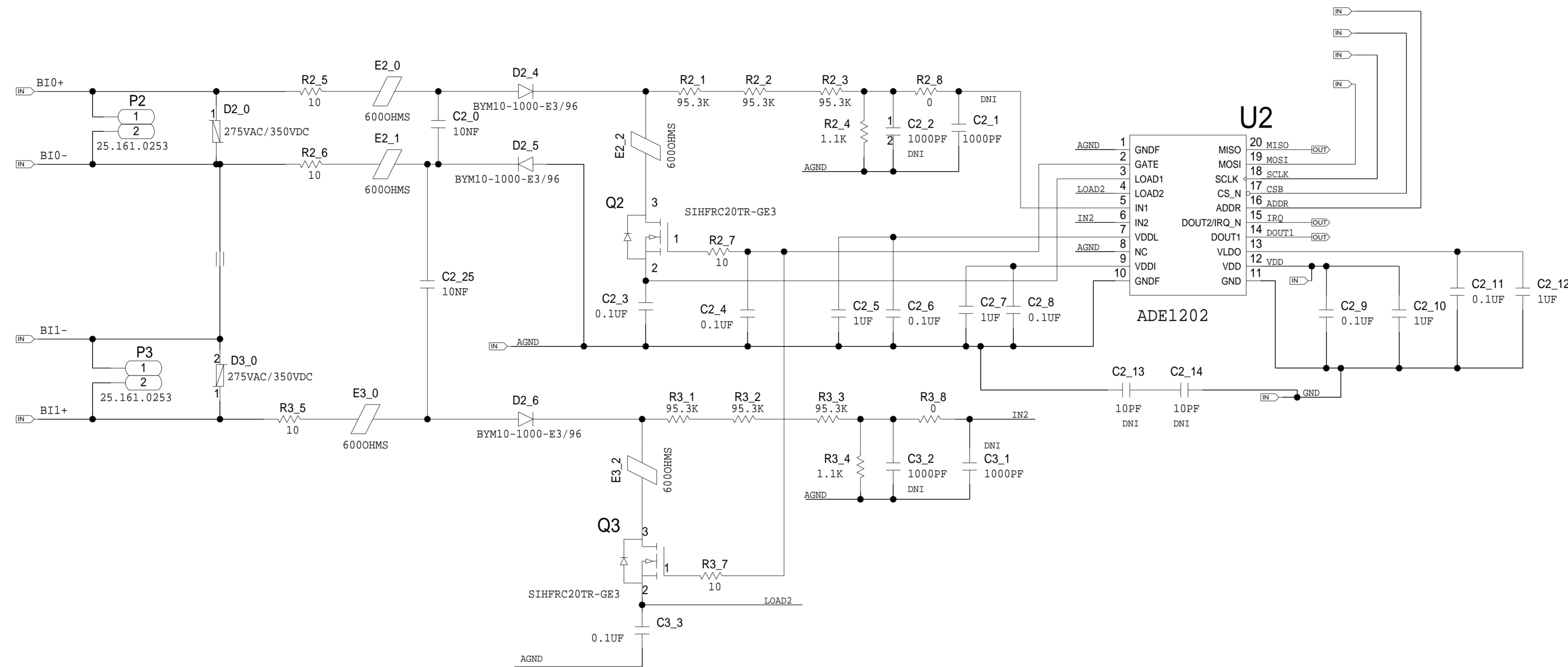
THIS DRAWING IS THE PROPERTY OF ANALOG DEVICES INC. IT IS NOT TO BE REPRODUCED OR COPIED, IN WHOLE OR IN PART, OR USED IN FURNISHING INFORMATION TO OTHERS, OR FOR ANY OTHER PURPOSE DETRIMENTAL TO THE INTERESTS OF ANALOG DEVICES. THE EQUIPMENT SHOWN HEREIN MAY BE PROTECTED BY PATENTS OWNED OR CONTROLLED BY ANALOG DEVICES.

REVISIONS			
REV	DESCRIPTION	DATE	APPROVED



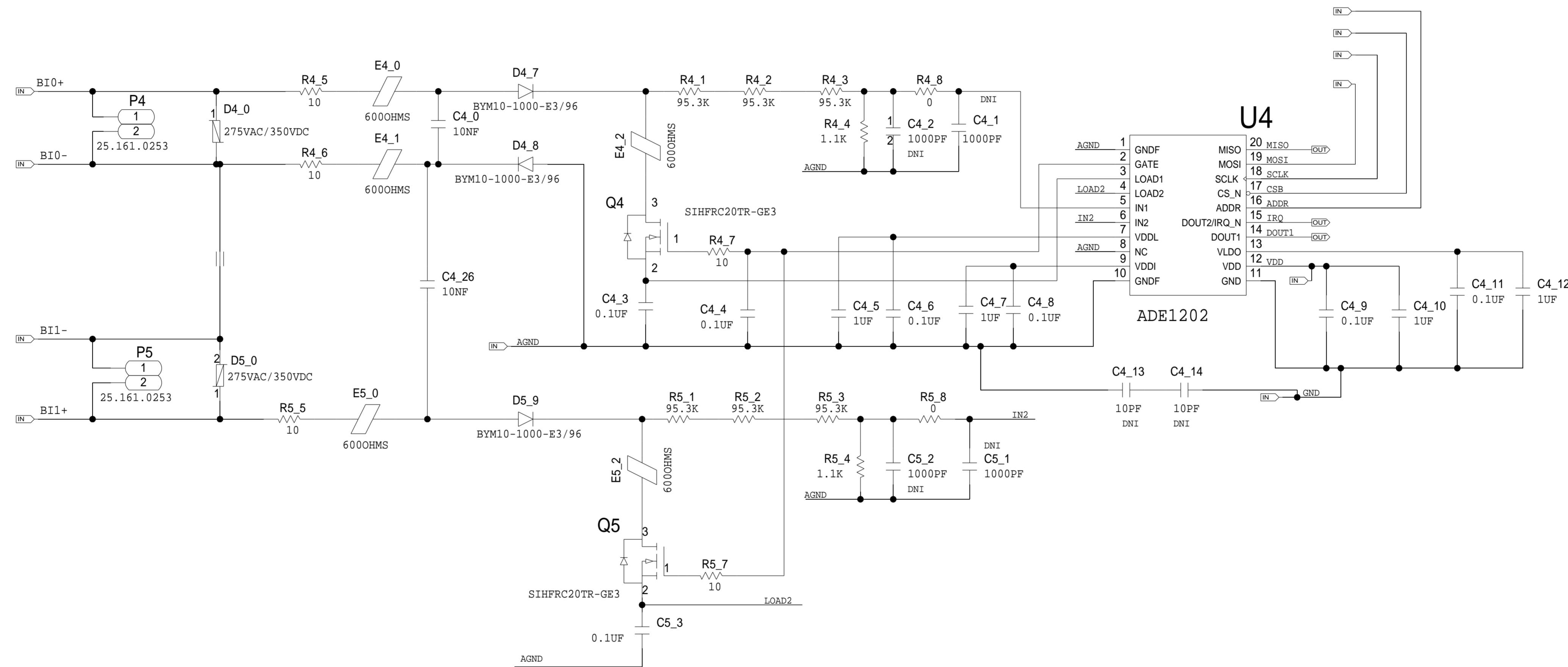
	SCHEMATIC		
	HW TYPE : Customer Evaluation Z Product(s) : ADE1202 : ADE1202		
	DESIGN VIEW <DESIGN_VIEW>	DRAWING NO. 02_050322	REV C
	PTD ENGINEER J. HAN	SIZE D SCALE 1:1	SHEET 3 OF 6

REVISIONS			
REV	DESCRIPTION	DATE	APPROVED



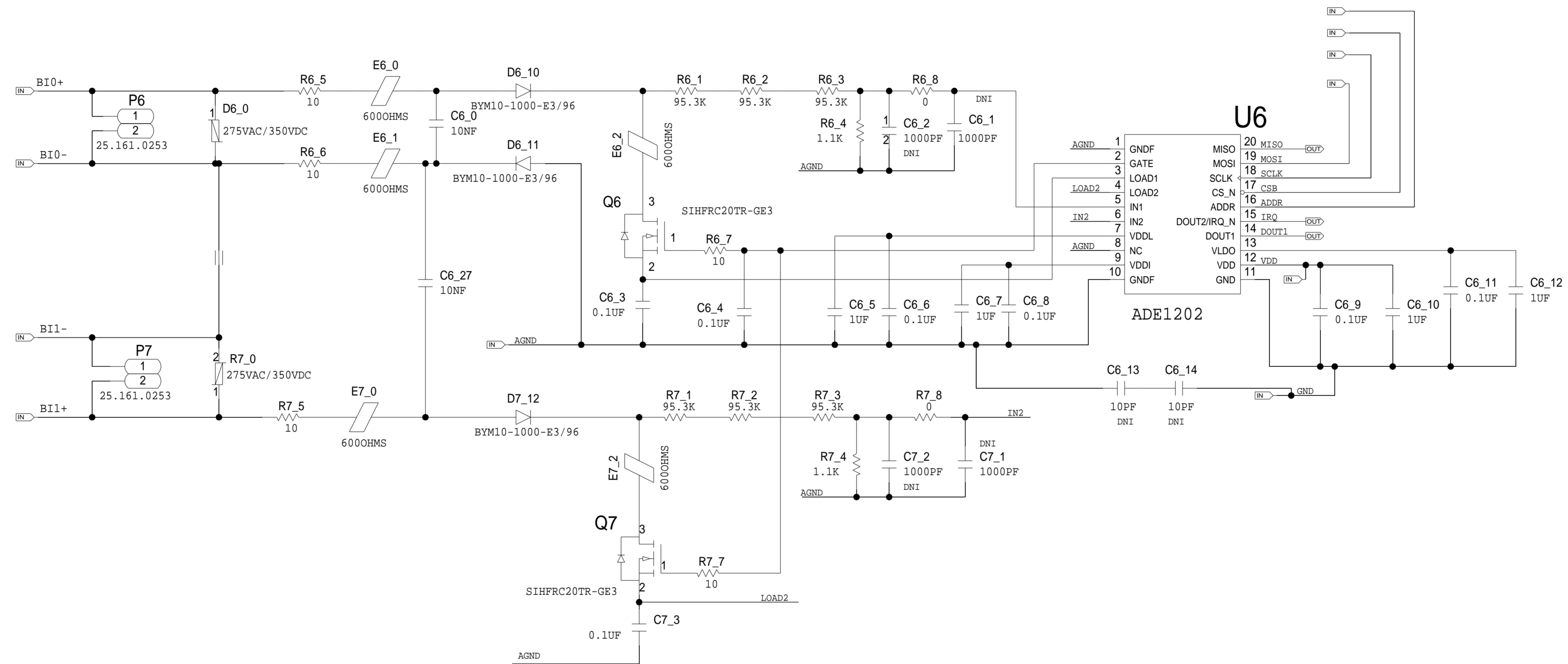
	SCHEMATIC		
	HW TYPE : Customer Evaluation Z Product(s) : ADE1202 : ADE1202		
	DESIGN VIEW <DESIGN_VIEW>	DRAWING NO. 02_050322	REV C
	PTD ENGINEER J. HAN	SIZE D SCALE 1:1	SHEET 4 OF 6

REVISIONS			
REV	DESCRIPTION	DATE	APPROVED



	SCHEMATIC		
	HW TYPE : Customer Evaluation Z Product(s) : ADE1202 : ADE1202		
	DESIGN VIEW <DESIGN_VIEW>	DRAWING NO. 02_050322	REV C
	PTD ENGINEER J. HAN	SIZE D SCALE 1:1	SHEET 5 OF 6

REVISIONS			
REV	DESCRIPTION	DATE	APPROVED



	SCHEMATIC		
	HW TYPE : Customer Evaluation Z Product(s) : ADE1202 : ADE1202		
	DESIGN VIEW <DESIGN_VIEW>	DRAWING NO. 02_050322	REV C
	PTD ENGINEER J. HAN	SIZE D SCALE 1:1	SHEET 6 OF 6