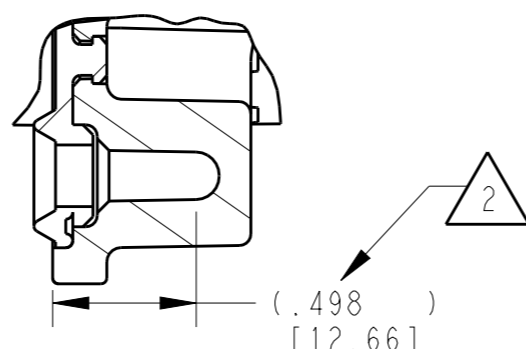
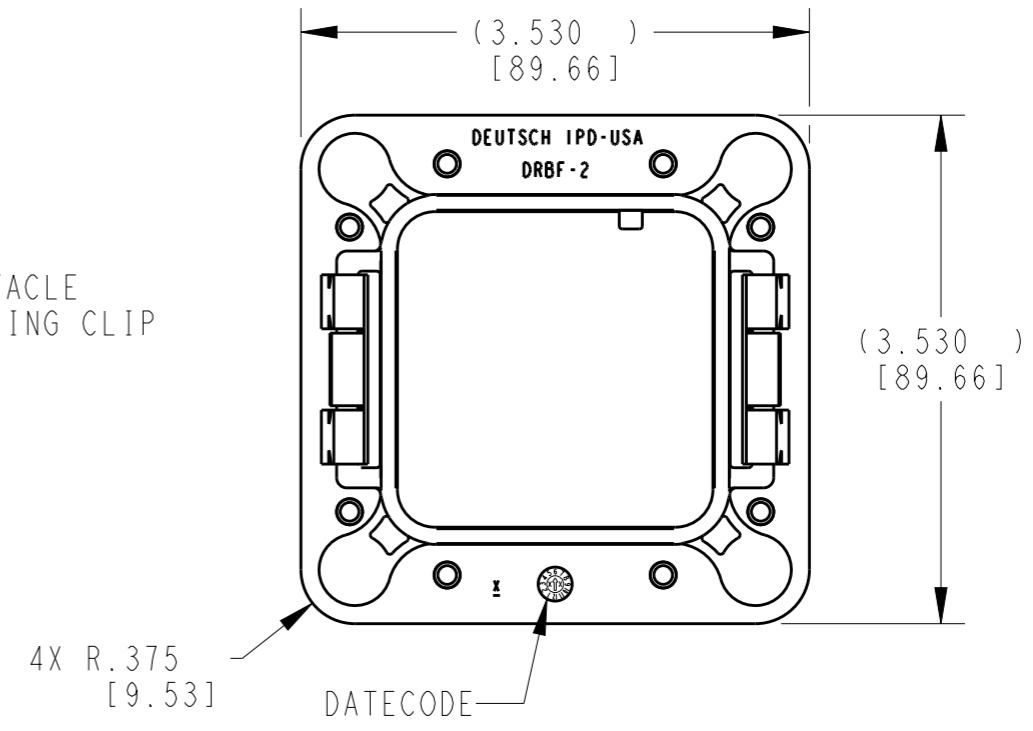
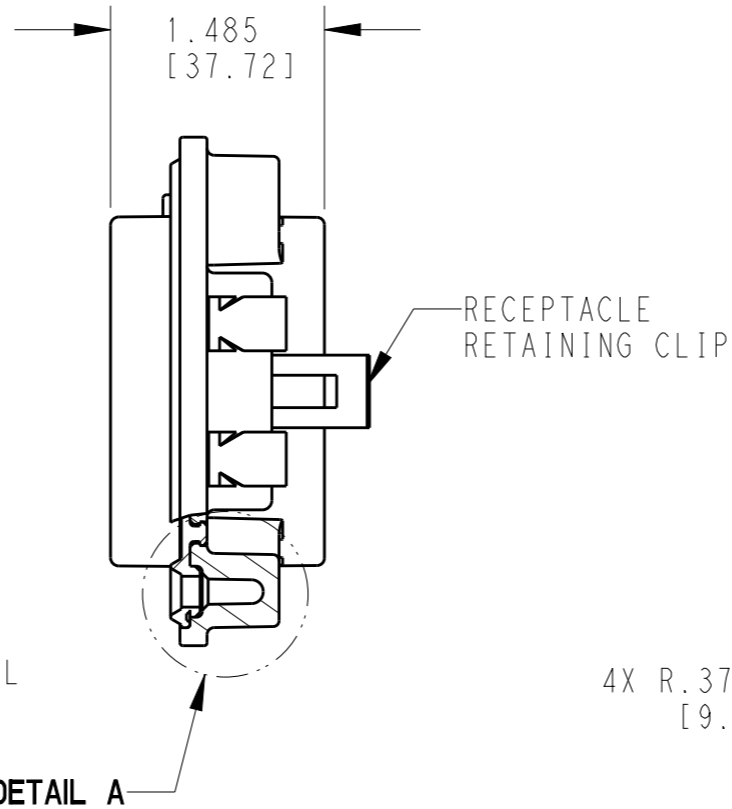
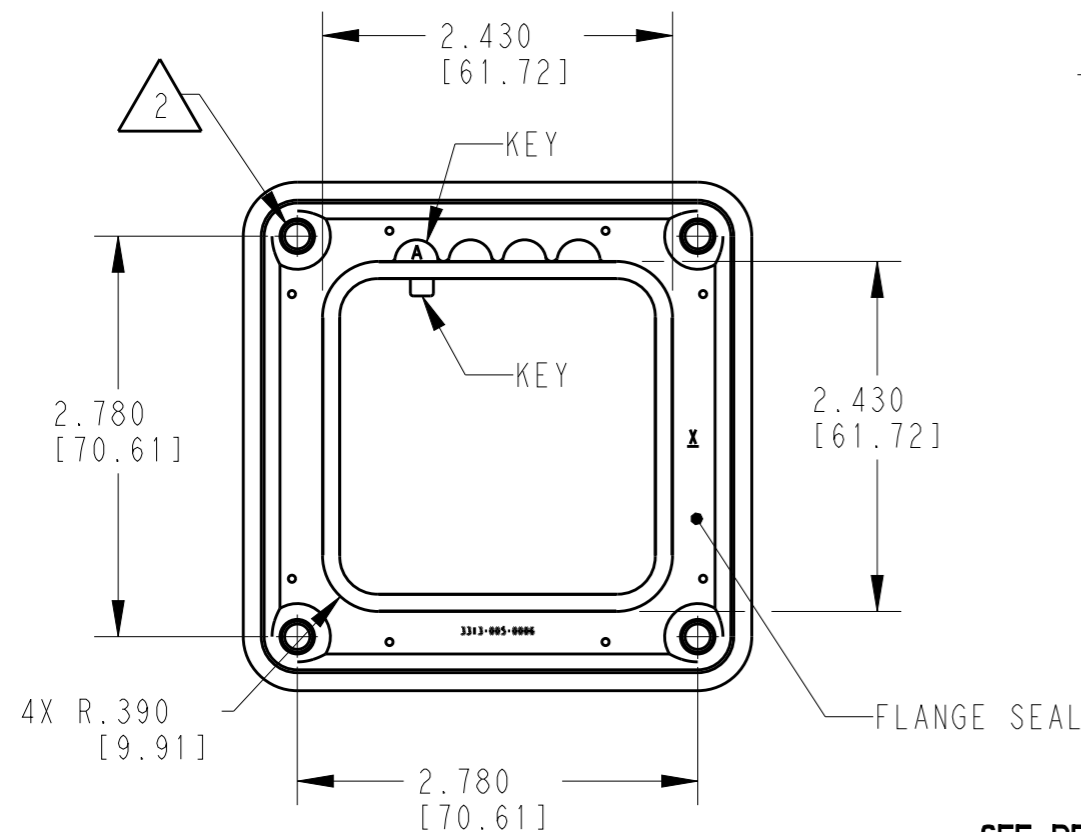
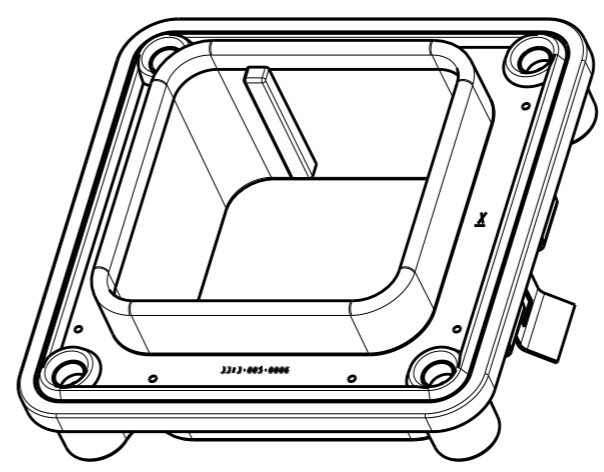


REVISIONS					
P	LTR	DESCRIPTION	DATE	DWN	APVD
	A	REVISED PER PCN E-18-003645	08MAR2018	AJ	DM
	A1	REVISED PER PCN E-18-016049	10OCT2018	SS	DM



DETAIL A
SCALE 3:2



- 7. SEE SHEET 2 FOR OTHER KEY ARRANGEMENTS.
- 6. CONSULT FACTORY FOR APPLICATION.
- 5. SURFACE FINISH: 32 RMS [0.80µm] OR BETTER
- 4. MATERIAL: FLANGE: PA66 GF15 (BLACK)
FLANGE SEAL: VWQ (RED-ORANGE)
RECEPTACLE RETAINING CLIP: STEEL
- 3. THIS PART MATES WITH DRB12-48PXE-XXXX, DRB12-60PXE-XXXX, DRB12-60PXNE-XXXX RECEPTACLE AND DRB16-48SXE-XXXX, DRB16-60SXE-XXXX PLUG. (X = A,B,C,D KEYS; XXXX = ALL MODIFICATIONS) CONSULT FACTORY FOR MODS.

2. RECOMMENDED SCREW: 10-14 [M5.28 X 1.81] SINGLE HELIX THREAD. SCREW LENGTH DEFINED BY CUSTOMER. RECOMMENDED TORQUE: 20 +5/-0 IN-LB. [2.26 +0.6/-0 NM] CUSTOMER SUPPLIED.

1. PANEL CUTOUT TOLERANCE ±.010 [0.25].

NOTES:

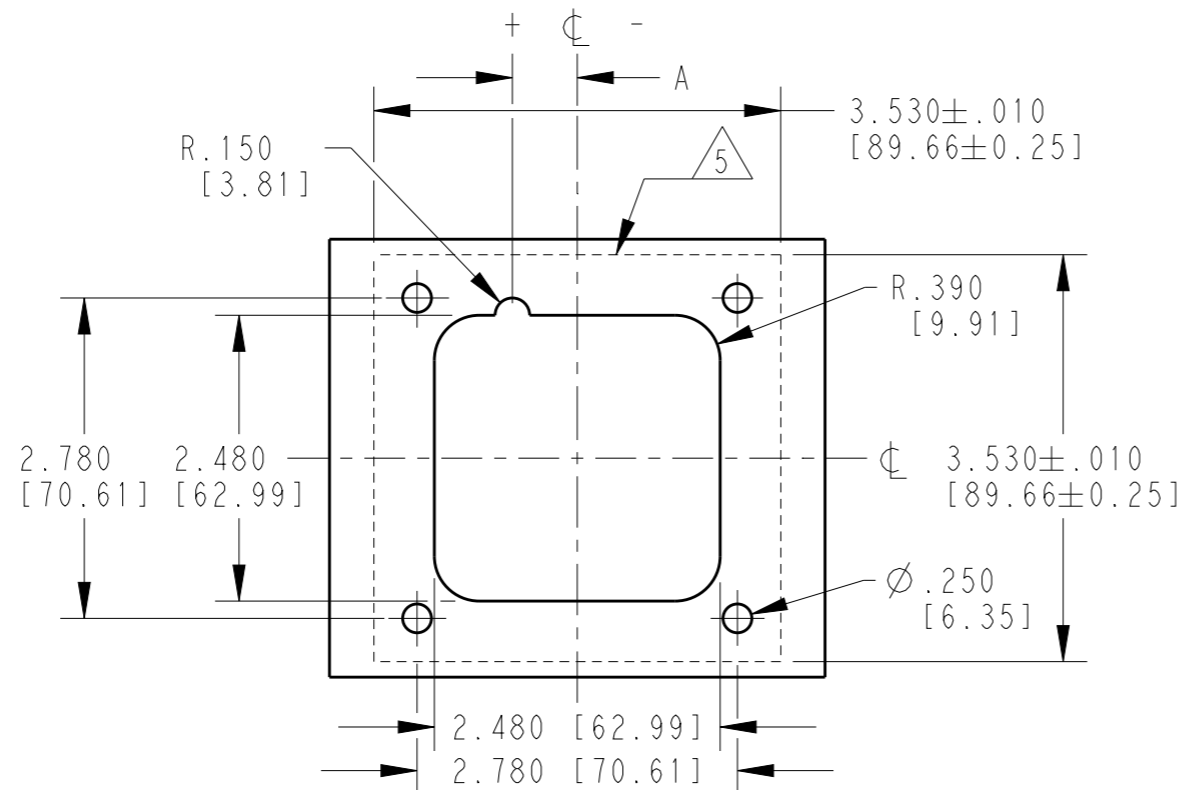
TE INTERNAL PN	DEUTSCH PN
DRBF-2A	DRBF-2A
DRBF-2B	DRBF-2B
DRBF-2C	DRBF-2C
DRBF-2D	DRBF-2D

THIS DRAWING IS A CONTROLLED DOCUMENT.		DWN S. PALLUTH 03FEB2001			
DIMENSIONS: in [mm]		CHK S. PALLUTH 03FEB2001			
TOLERANCES UNLESS OTHERWISE SPECIFIED:		APVD D. MEYER 03FEB2001		NAME INTERFACE FLANGE KEY ARRANGEMENTS A, B, C AND D DRB SERIES. COLOR: BLACK	
0 PLC ±		PRODUCT SPEC -		SIZE A3	
1 PLC ±		APPLICATION SPEC -		CAGE CODE 4AFU8	
2 PLC ±		WEIGHT 136 g		DRAWING NO. DRBF-2X	
3 PLC ±.025 [0.64]		CUSTOMER DRAWING		RESTRICTED TO -	
4 PLC ±		SCALE 3:4		SHEET 1 OF 2	
ANGLES ±0°30'0"		REV A1			
FINISH					

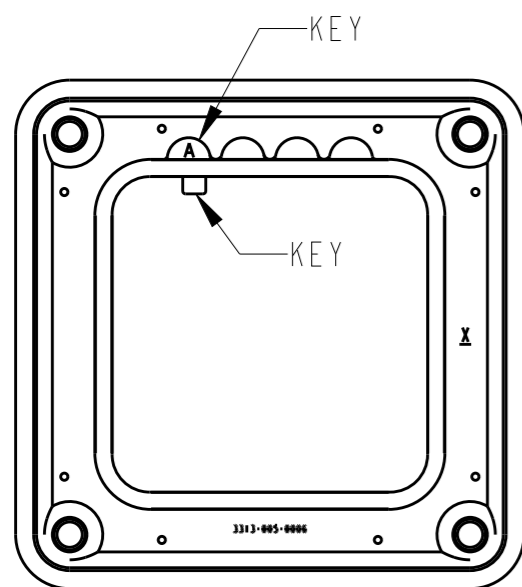
RECOMMENDED PANEL CUTOUT

THICKNESS .126 [3.20] MAX
(CUTOUT FOR DRBF-2A SHOWN AS EXAMPLE)

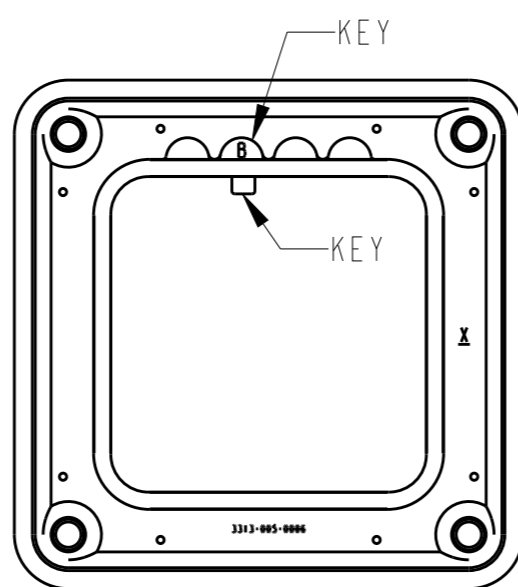
INTERFACE FLANGE P/N	DIMENSION "A"
DRBF-2A	.563 [14.30]
DRBF-2B	.188 [4.78]
DRBF-2C	-.188 [-4.78]
DRBF-2D	-.563 [-14.30]



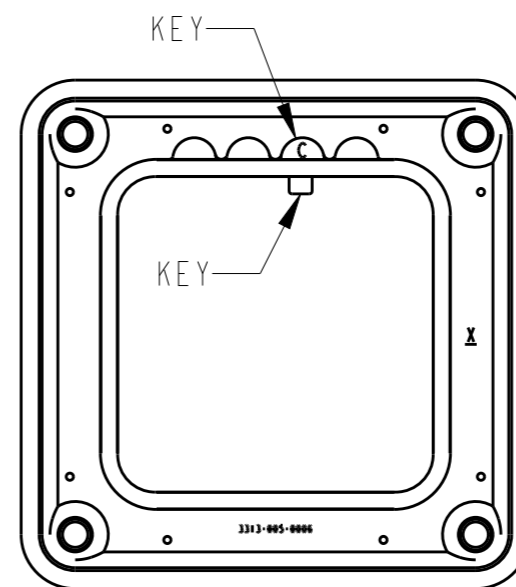
REVISIONS					
P	LTR	DESCRIPTION	DATE	DWN	APVD
-		SEE SHEET 1	-	-	-



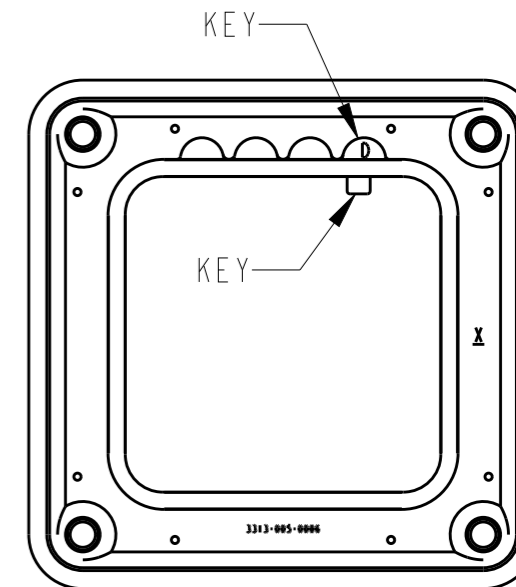
**DRBF-2A
KEY ARRANGEMENT -A-**



**DRBF-2B
KEY ARRANGEMENT -B-**



**DRBF-2C
KEY ARRANGEMENT -C-**



**DRBF-2D
KEY ARRANGEMENT -D-**

THIS DRAWING IS A CONTROLLED DOCUMENT.		DWN S. PALLUTH 03FEB2001															
DIMENSIONS: in [mm]		CHK S. PALLUTH 03FEB2001															
TOLERANCES UNLESS OTHERWISE SPECIFIED:		APVD D. MEYER 03FEB2001		NAME INTERFACE FLANGE KEY ARRANGEMENTS A, B, C AND D DRB SERIES. COLOR: BLACK													
<table border="0"> <tr><td>0 PLC</td><td>±</td></tr> <tr><td>1 PLC</td><td>±</td></tr> <tr><td>2 PLC</td><td>±</td></tr> <tr><td>3 PLC</td><td>±.025 [0.64]</td></tr> <tr><td>4 PLC</td><td>±</td></tr> <tr><td>ANGLES</td><td>±0°30'0"</td></tr> </table>		0 PLC	±	1 PLC	±	2 PLC	±	3 PLC	±.025 [0.64]	4 PLC	±	ANGLES	±0°30'0"	PRODUCT SPEC		SIZE	
0 PLC	±																
1 PLC	±																
2 PLC	±																
3 PLC	±.025 [0.64]																
4 PLC	±																
ANGLES	±0°30'0"																
MATERIAL		APPLICATION SPEC		CAGE CODE													
FINISH		WEIGHT 136 g		DRAWING NO													
		CUSTOMER DRAWING		RESTRICTED TO													
		SCALE 3:4		SHEET 2 OF 2													
				REV A1													